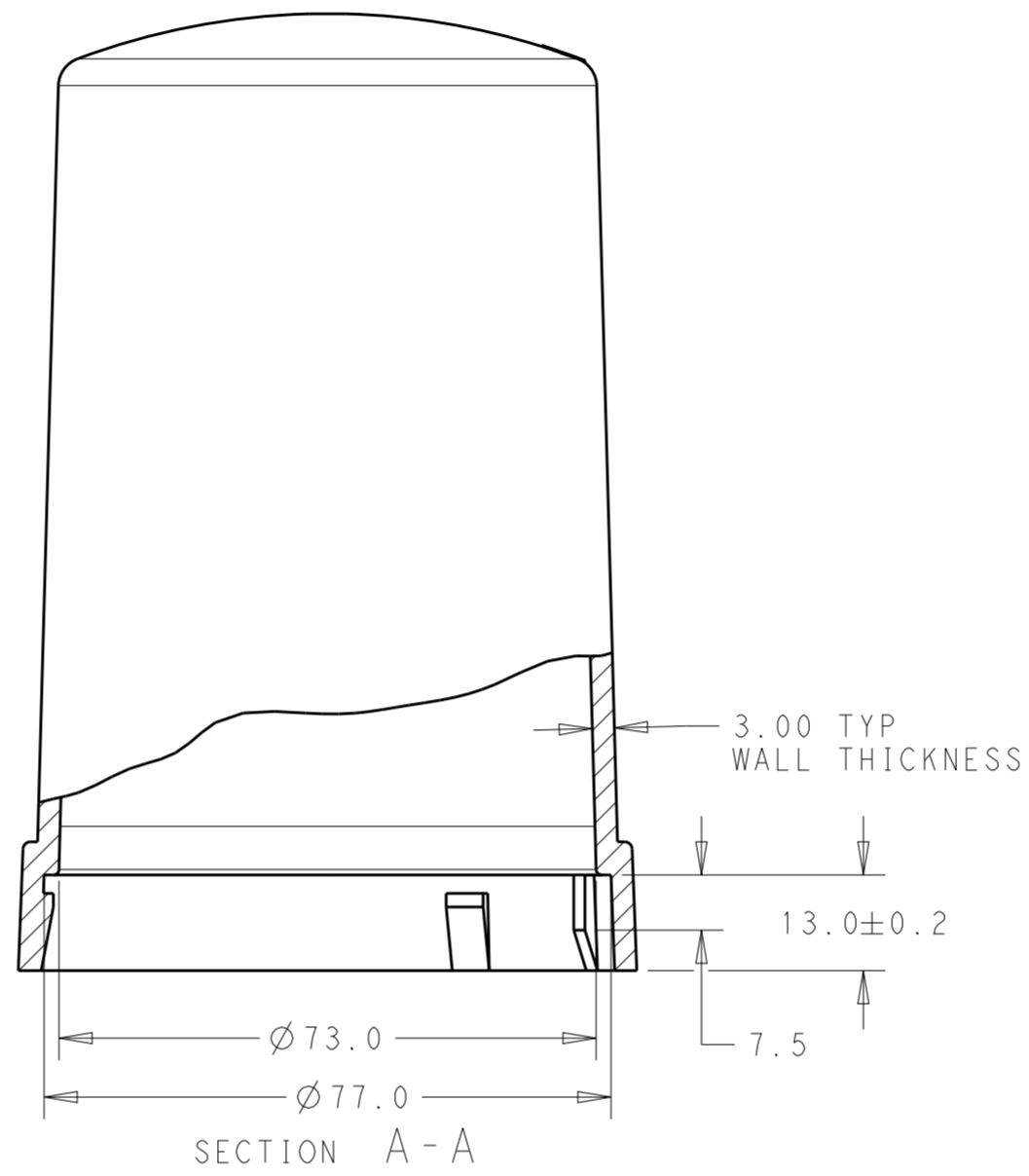
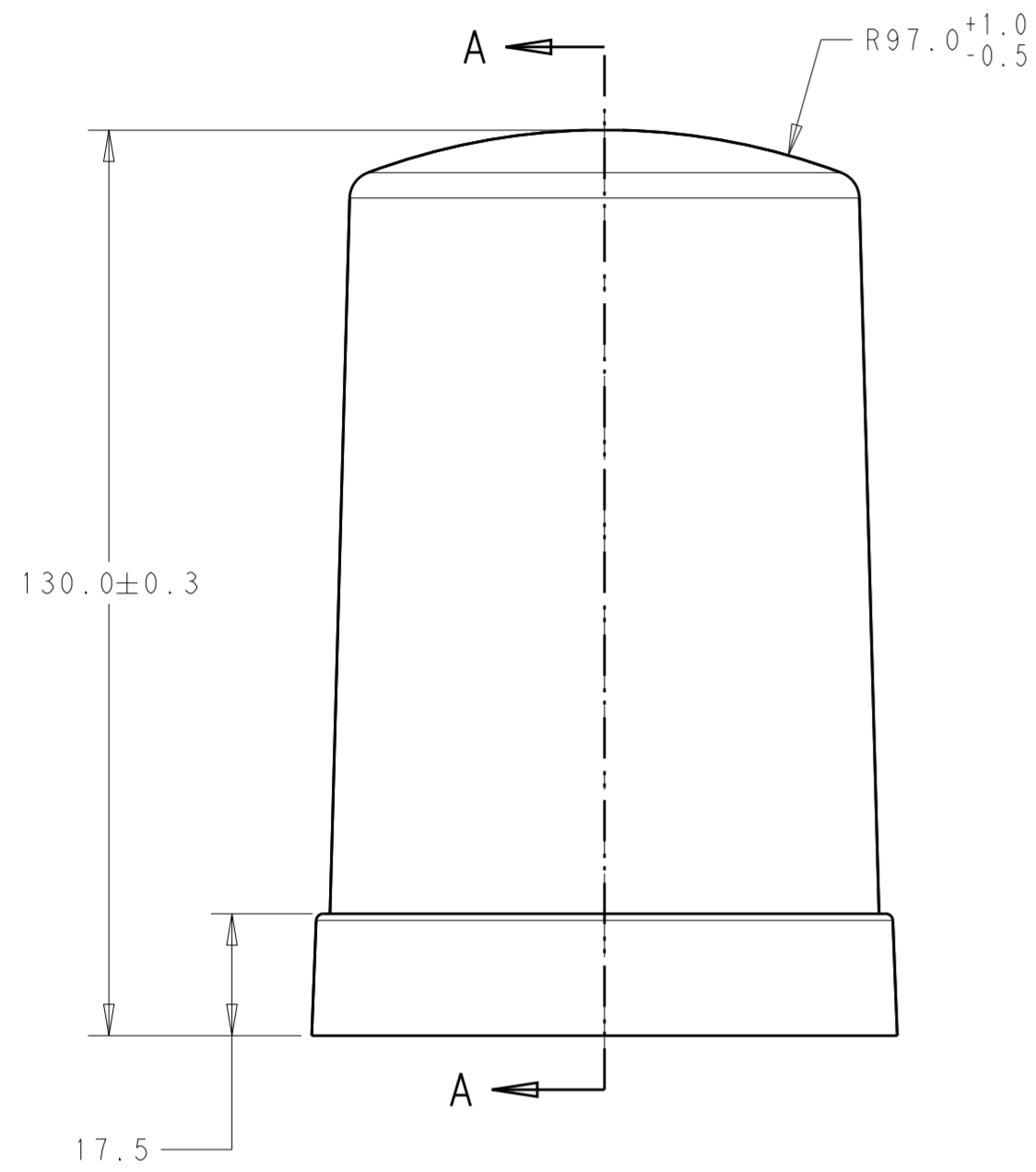
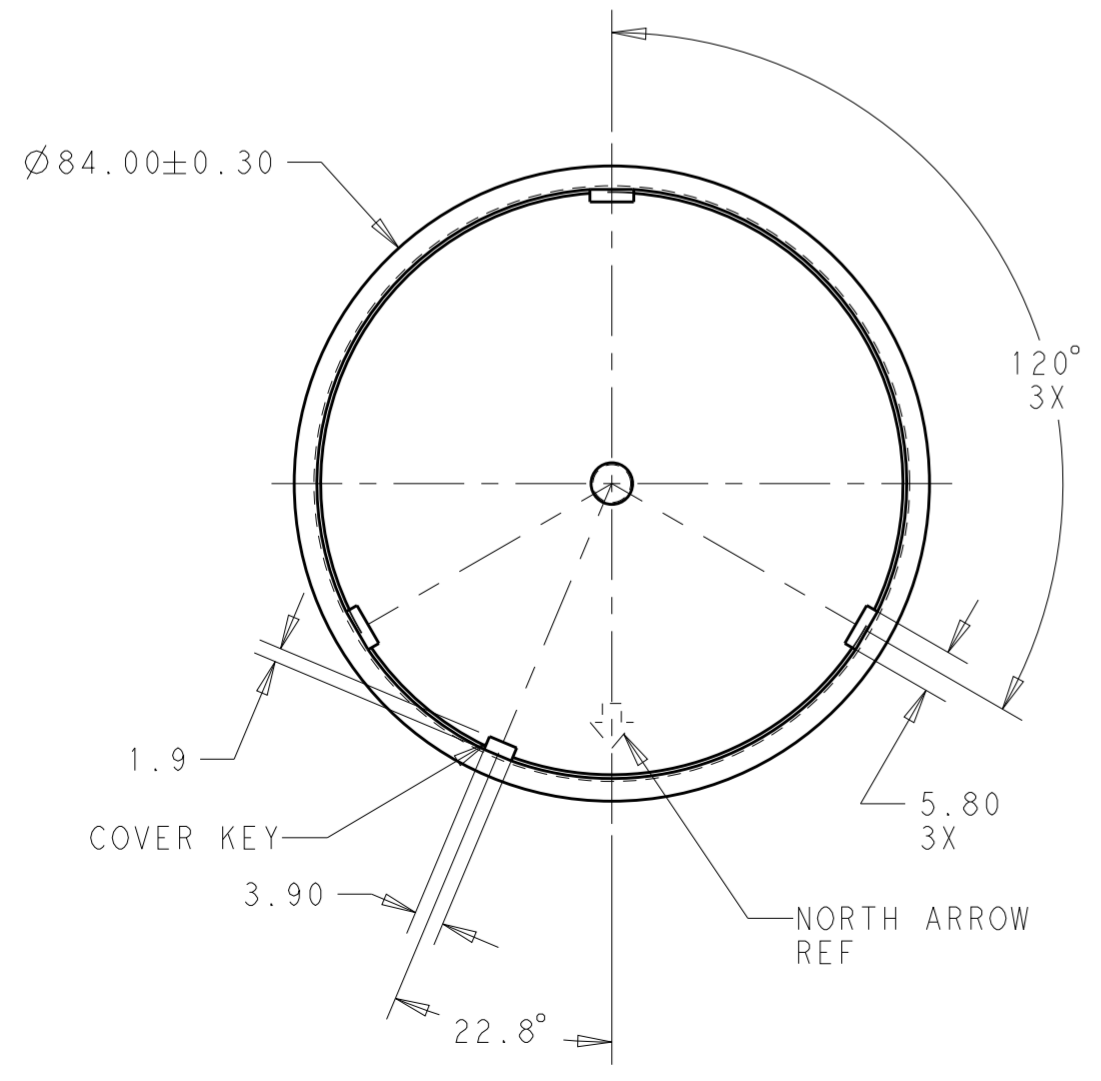
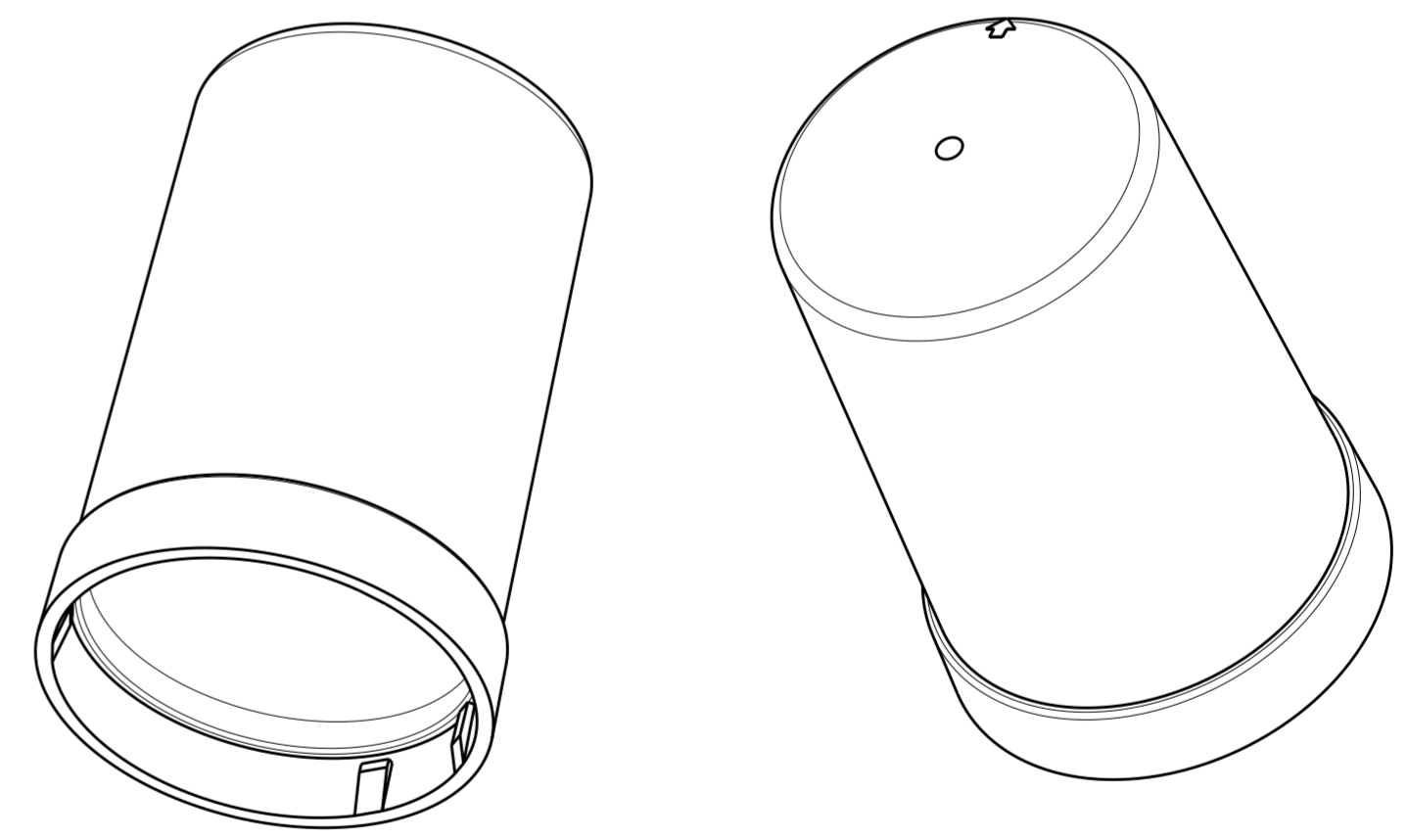


THIS DRAWING IS UNPUBLISHED. RELEASED FOR PUBLICATION 20  
 © COPYRIGHT 20 BY - ALL RIGHTS RESERVED.

REVISIONS				
P	LTR	DESCRIPTION	DATE	APVD
	A	REVISED PER ECO-17-010638	21JUL2017	RK DD



- NOTES:
- 1 MATERIALS:  
HOUSING: POLYCARBONATE, UV 5VA RATED  
COLOR: SEE TABLE
  - 2 MATING BASE TE P/N: 2213730-X
  - 3. THIS PRODUCT HAS NOT COMPLETED VALIDATION TESTING.



78%	TRANSLUCENT CLEAR	1-2306129-1
24%	TRANSLUCENT SMOKE GRAY	2306129-1
APPROX LIGHT TRANSMISSION COLOR		PART NO.

THIS DRAWING IS A CONTROLLED DOCUMENT.		DWN J. SHAFFER 07JUL2016	TE Connectivity	
		CHK E. HOWARD 07JUL2016		
DIMENSIONS: mm 		TOLERANCES UNLESS OTHERWISE SPECIFIED: 0 PLC ± 1 PLC ±0.2 2 PLC ±0.13 3 PLC ± 4 PLC ± ANGLES ±3° FINISH -		NAME COVER, LIGHT CONTROLLER, TALL, 76 DIA -
MATERIAL		PRODUCT SPEC 108-32125	SIZE A2	RESTRICTED TO
		APPLICATION SPEC 114-32159	CAGE CODE -	DRAWING NO. C-2306129
		WEIGHT -	SCALE 1:1	SHEET 1 OF 1
		CUSTOMER DRAWING	REV A	