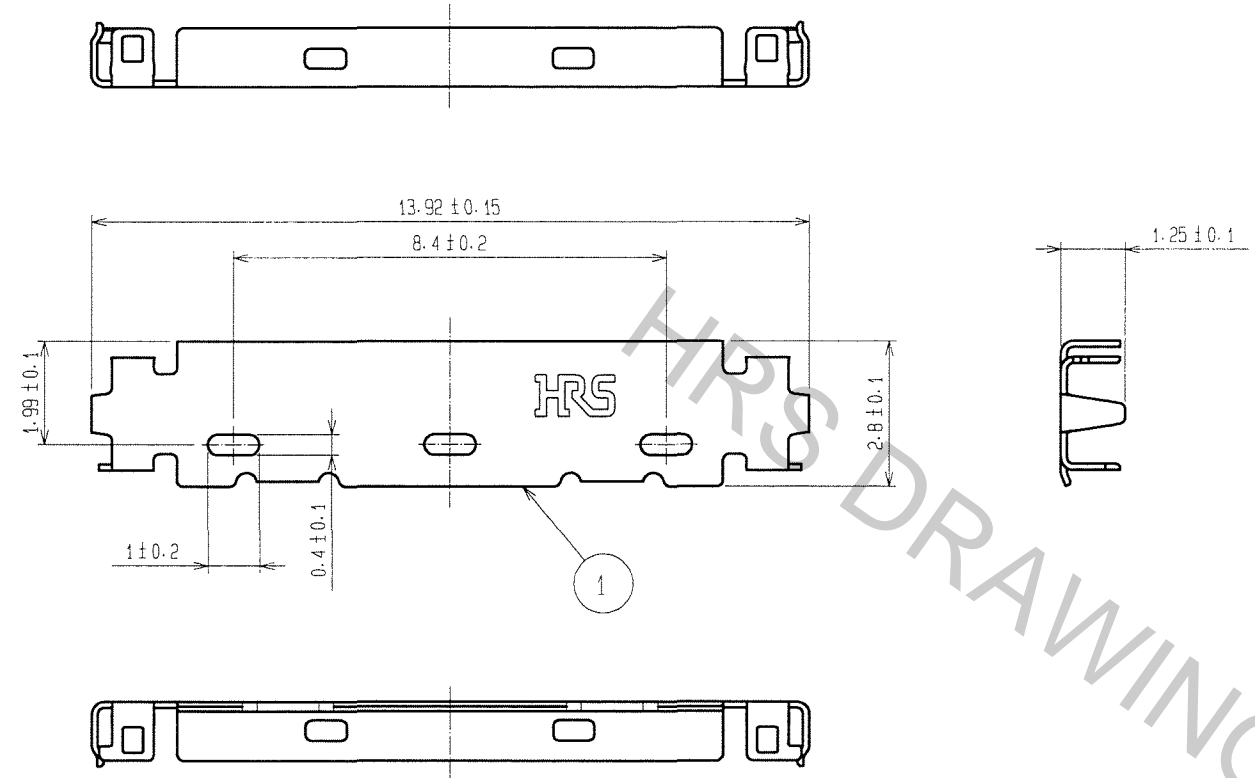
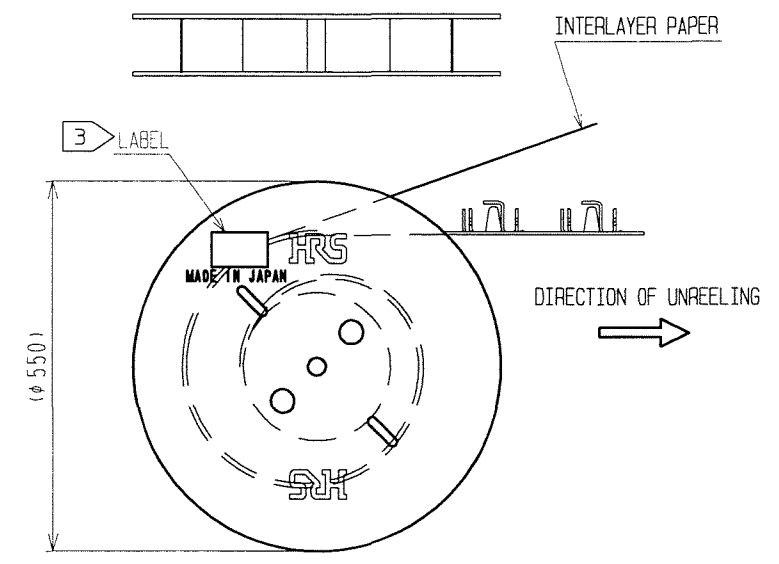


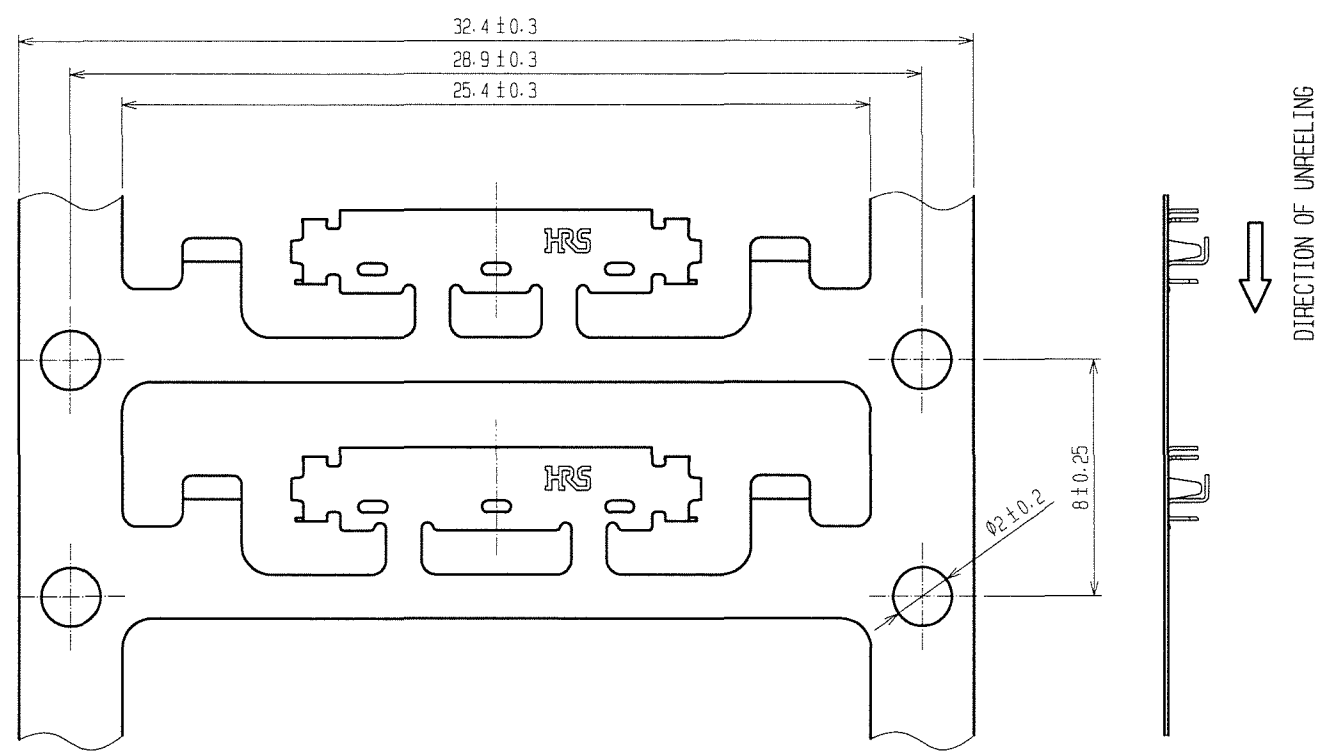
Apr.1.2017 Copyright 2017 HIROSE ELECTRIC CO., LTD. All Rights Reserved.

COUNT	DESCRIPTION OF REVISIONS	BY	CHKD	DATE	COUNT	DESCRIPTION OF REVISIONS	BY	CHKD	DATE
△				..	△				..
△				..	△				..
△				..	△				..

REEL STATE DRAWING(FREE)



CAREER STATE DRAWING(4:1)



NOTES 1.PER REEL: 10000 COMPARTMENTS
 2.THE ASSEMBLY IS COMPLETED BY COMBINING TWO PARTS(CONNECTOR UNIT, AND METAL SHIELDING). REFER TO THE TABLE FOR EACH ITEM No., PART NAME, PART No AND CODE No.

ITEM No.	PART NAME	PART No.	CODE No.
-	CONNECTOR UNIT	DF36-25P-0.4SD	CL662-4006-4
1	METAL SHIELDING	DF36-25P-SHL	CL662-4012-7

3 LABEL DETAILS

HRS		INSPECTION 検査
CODE No. 品名コード	CL 662-4012-7	
PART NO. 品名	DF36-25P-SHL	
QTY 数量	10,000 PCS	
PECULIAR 仕様		
Lot No		
SPLICE 継ぎ目		

1	PHOSPHOR BRONZE	WHOLE AREA : Au PLATING 0.1μm min UNDER PLATING : Ni PLATING 2μm min
---	-----------------	---

NO.	MATERIAL	FINISH	REMARKS	NO.	MATERIAL	FINISH	REMARKS
CODE NO. (OLD)							
		DRAWN	DESIGNED	CHECKED	APPROVED	RELEASED	
		H.Shiozawa	M.Kanjo	T.Sakata	J.Oma		
		07.06.08	07.06.08	07.06.08	07.06.08		
SCALE	FREE	DRAWING NO. EDC3-313272		PART NO. DF36-25P-SHL			
UNITS	mm	HRS HIROSE ELECTRIC CO., LTD		CODE NO. CL662-4012-7		1/1	

TO