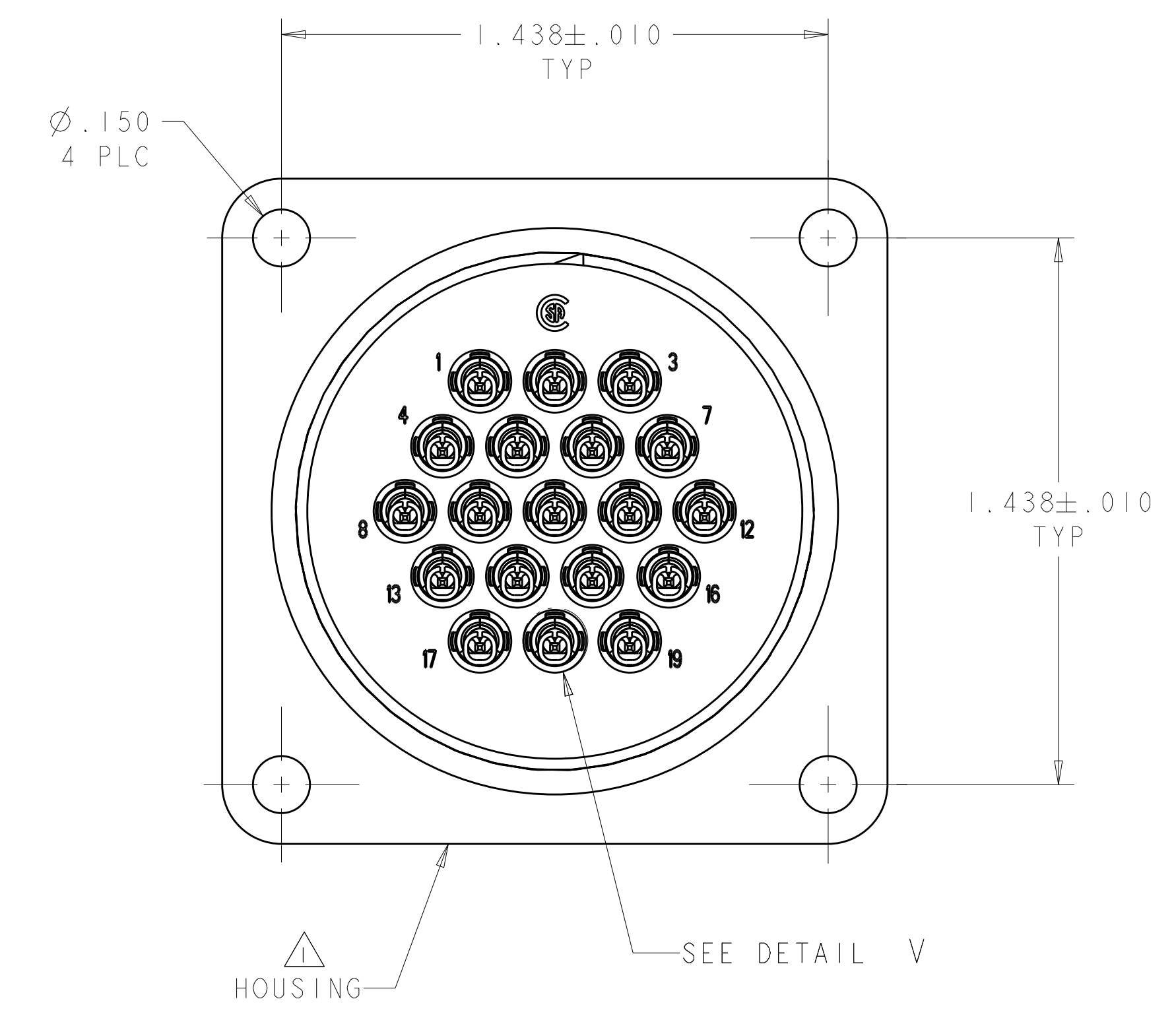
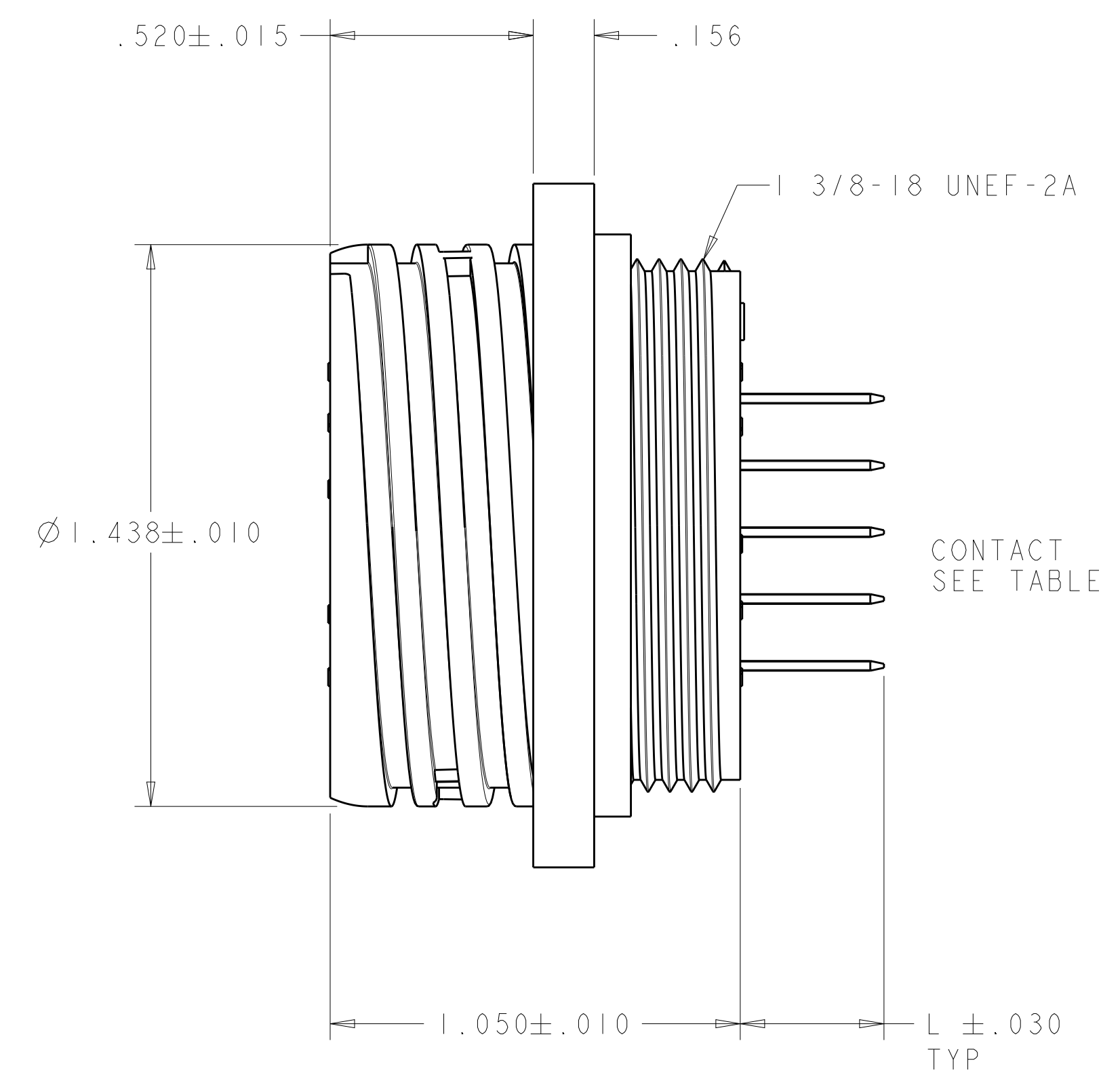
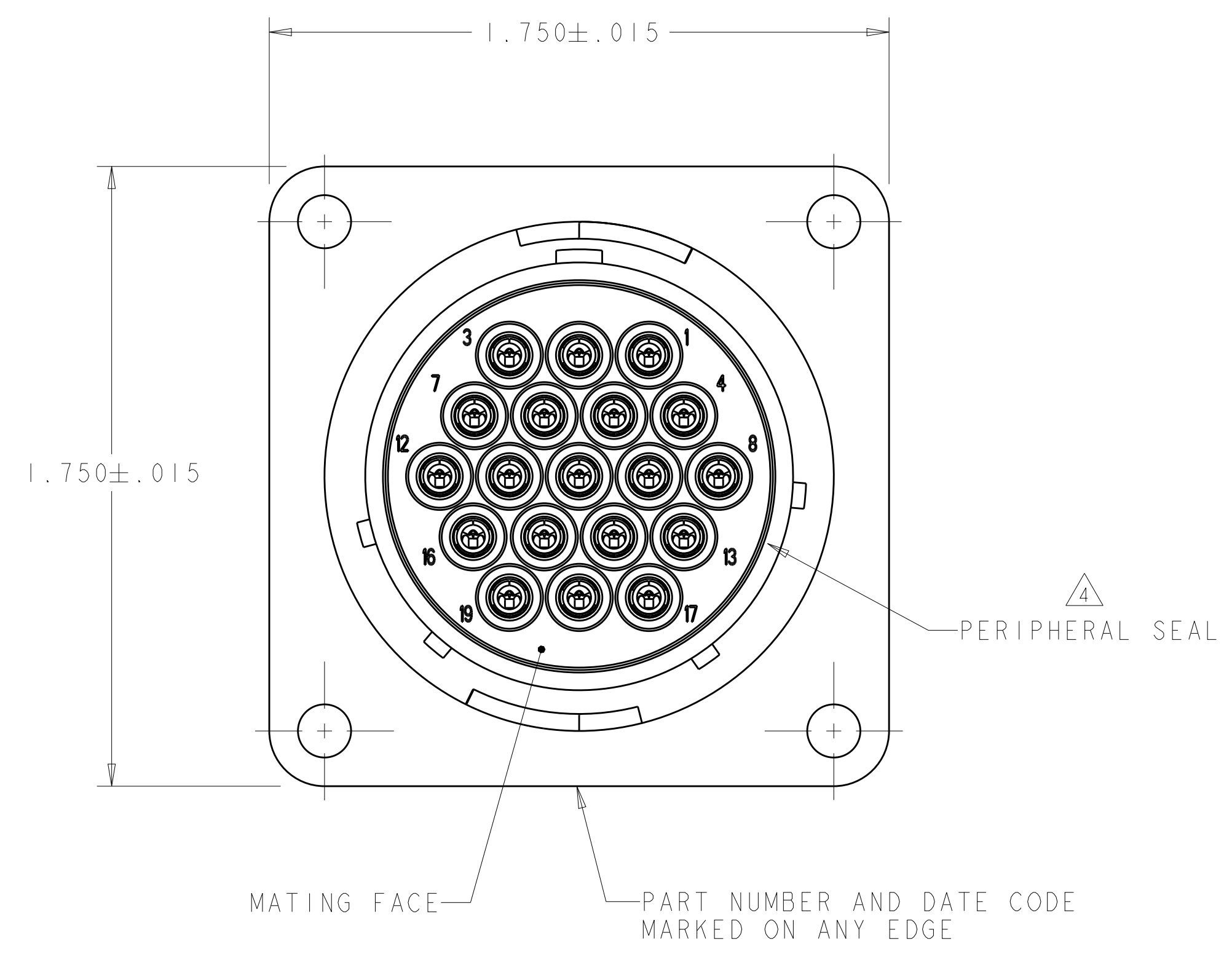


REVISIONS				
P.	LTN	DESCRIPTION	DATE	DWN APVD
M2		REVISED PER ECO-16-004800	10SEP2016	NK MZ
N		REVISED PER ECO-16-018356	23MAR2017	RS MZ



- △ HOUSING: NYLON, UL 94 V-0 RATED, COLOR: BLACK.
- △ CONTACT:  
 BODY - BRASS, .000030 MIN GOLD FOR A LENGTH OF .200 MIN FROM MATING END, GOLD FLASH ON REMAINDER, BOTH OVER .000050 MIN NICKEL.  
 POST - BRASS, .000100 MIN TIN-LEAD OVER .000050 MIN NICKEL.
- △ CONTACT:  
 BODY - BRASS, .000100 MIN TIN-LEAD OVER .000050 MIN NICKEL.  
 POST - BRASS, .000100 MIN TIN-LEAD OVER .000050 MIN NICKEL.
- △ PERIPHERAL SEAL: ELASTOMER, COLOR: GRAY.
- △ .009 MAXIMUM CONTACT LEAD-IN SEAM GAP PERMISSIBLE ON MATING FACE END.
- △ CONTACT:  
 BODY - BRASS, .000030 MIN GOLD OVER .000030 MIN NICKEL.  
 POST - BRASS, .000100 MIN TIN-LEAD OVER .000050 MIN NICKEL.
- △ CONTACT:  
 BODY - BRASS, .000100 MIN TIN OVER .000050 MIN NICKEL.  
 POST - BRASS, .000100 MIN TIN OVER .000050 MIN NICKEL.
- △ CONTACT:  
 BODY - BRASS, .000030 MIN GOLD FOR A LENGTH OF .200 MIN FROM MATING END, GOLD FLASH ON REMAINDER, BOTH OVER .000050 MIN NICKEL.  
 POST - BRASS, .000100 MIN TIN OVER .000050 MIN NICKEL.
- △ OBSOLETE PARTS: OBSOLETE CIS STREAMLINING PER D.RENAUD/D.SINISI

PLC	YES	NO	POSITIONS	PART NUMBER
8	YES	NO	1-4, 7, 8, 10-12, 14-19	1-213781-0
8	NO	YES	ALL	-213781-9
7	NO	YES	ALL	-213781-8
7	YES	NO	1-4, 7, 8, 10-12, 16-19	-213781-7
6	YES	NO	1-4, 7, 8, 10-12, 16-19	-213781-6
3	YES	NO	1-4, 7, 8, 10-12, 16-19	-213781-5
3	YES	NO	1-4, 7, 8, 10-12, 16-19	-213781-4
3	YES	NO	1-4, 7, 8, 10-12, 16-19	213781-2
2	NO	YES	ALL	-213781-1

THIS DRAWING IS A CONTROLLED DOCUMENT.

DIMENSIONS: INCHES

TOLERANCES UNLESS OTHERWISE SPECIFIED:

0 PLC	± .010
1 PLC	± .005
2 PLC	± .003
3 PLC	± .002
4 PLC	± .001
ANGLES	± .0000
FINISH	± .0000

MATERIAL: -

FINISH: -

WEIGHT: -

CUSTOMER DRAWING

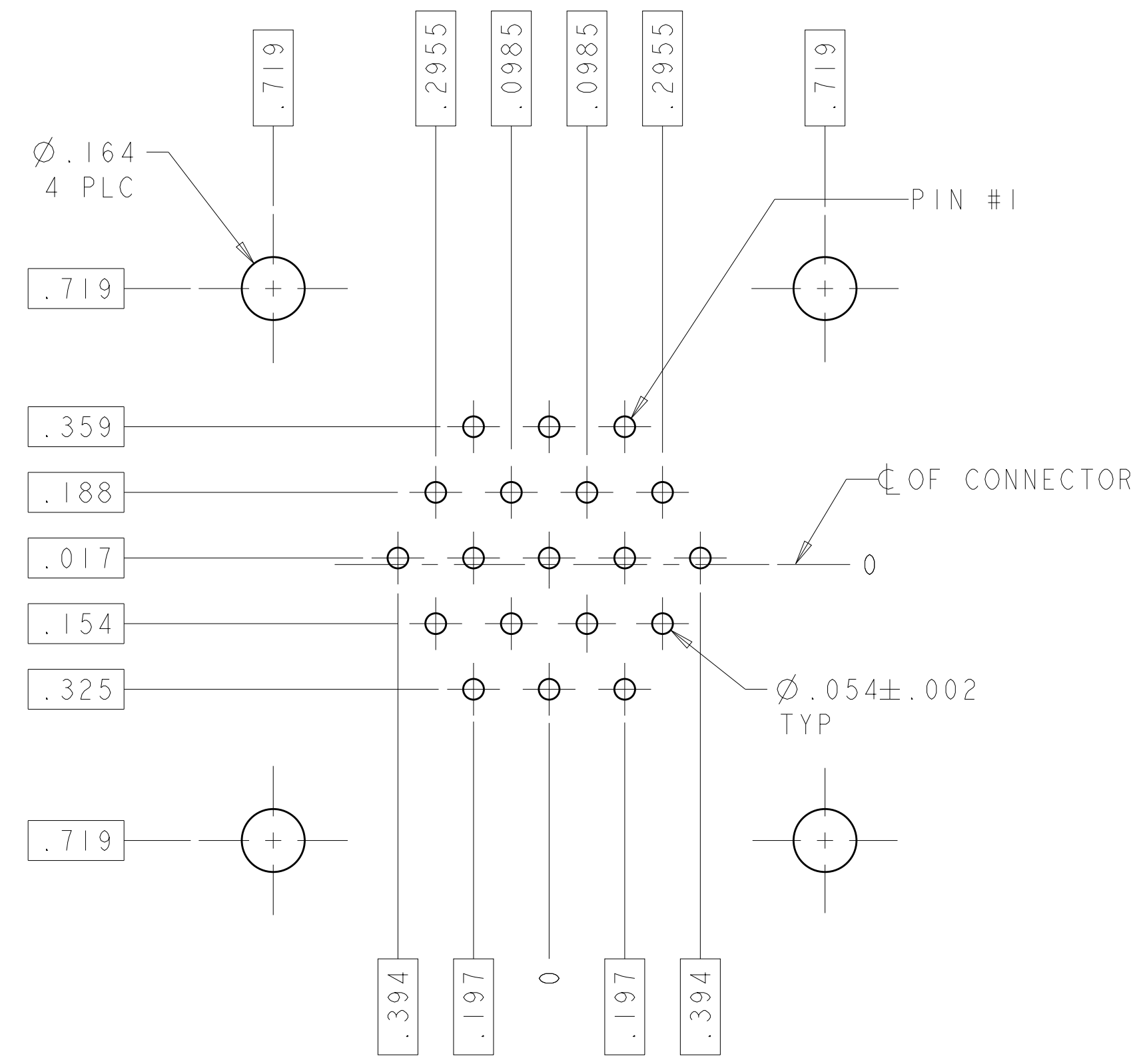
DWN: S. WELDON ZIMAY2003  
 CH: S. HEADER ZIMAY2003  
 APVD: S. HEADER ZIMAY2003

NAME: RECEPTACLE ASSEMBLY, POSTED, REVERSE SEX, SERIES 1, 23-19, CPC

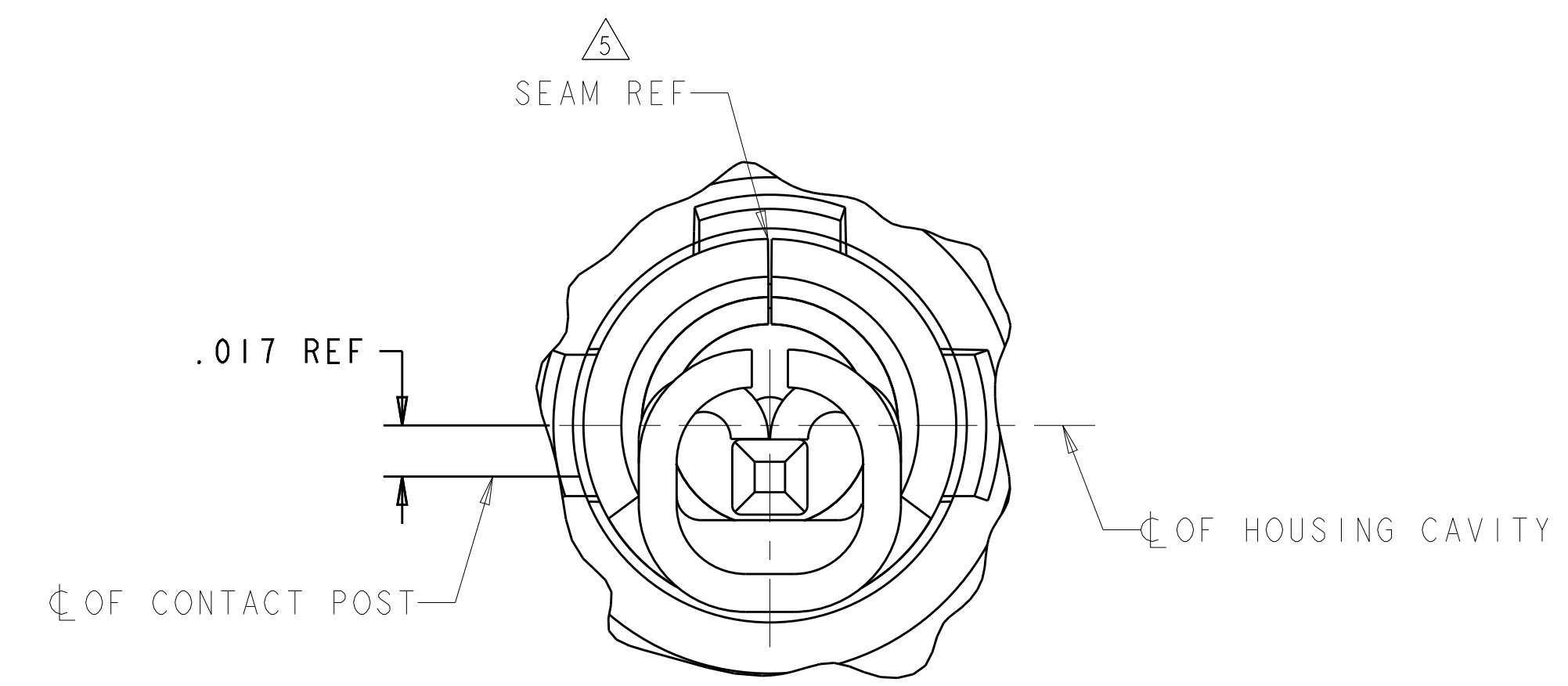
SIZE: 114-10038  
 CAGE CODE: 100779  
 DRAWING NO: 213781

SCALE: 3:1 SHEET 1 OF 2 REV N

REVISIONS				
P.	LTN	DESCRIPTION	DATE	APVD
-	-	SEE SHEET 1	-	-



RECOMMENDED PC BOARD LAYOUT



DETAIL V  
SCALE 20:1

THIS DRAWING IS A CONTROLLED DOCUMENT.		DWN S. WELDON ZIMAY2003	TE Connectivity
DIMENSIONS: INCHES		CHK S. HEADER ZIMAY2003	
TOLERANCES UNLESS OTHERWISE SPECIFIED: 0 PLC ±.0 1 PLC ±0.0 2 PLC ±0.00 3 PLC ±0.000 4 PLC ±0.0000 ANGLES ±.		APVD S. HEADER ZIMAY2003	NAME RECEPTACLE ASSEMBLY, POSTED, REVERSE SEX, SERIES 1, 23-19, CPC
MATERIAL		PRODUCT SPEC 108-10024	SIZE CAGE CODE DRAWING NO. RESTRICTED TO
FINISH		APPLICATION SPEC 114-10038	A100779C=213781
CUSTOMER DRAWING		WEIGHT	SCALE 3:1 SHEET 2 OF 2 REV N