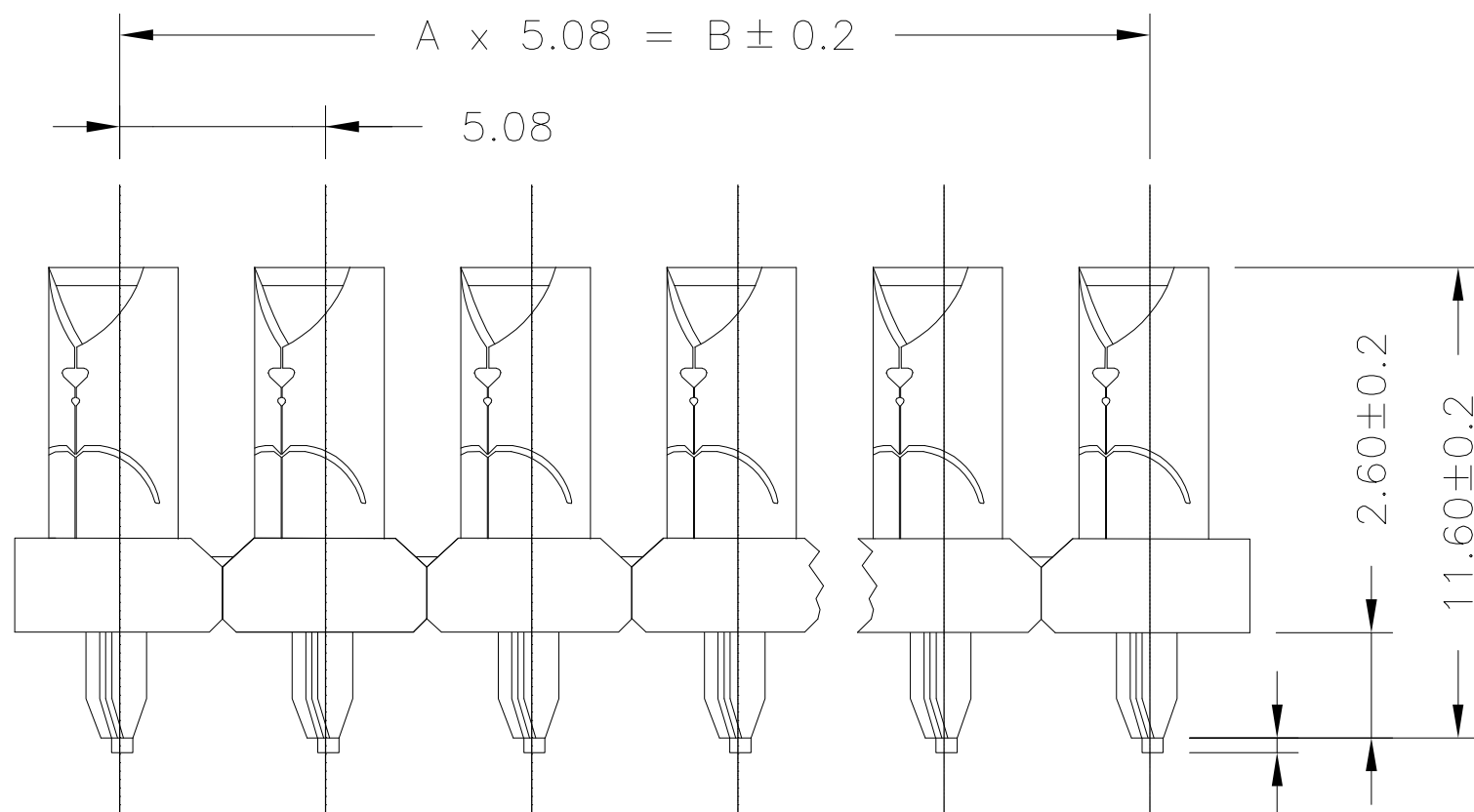
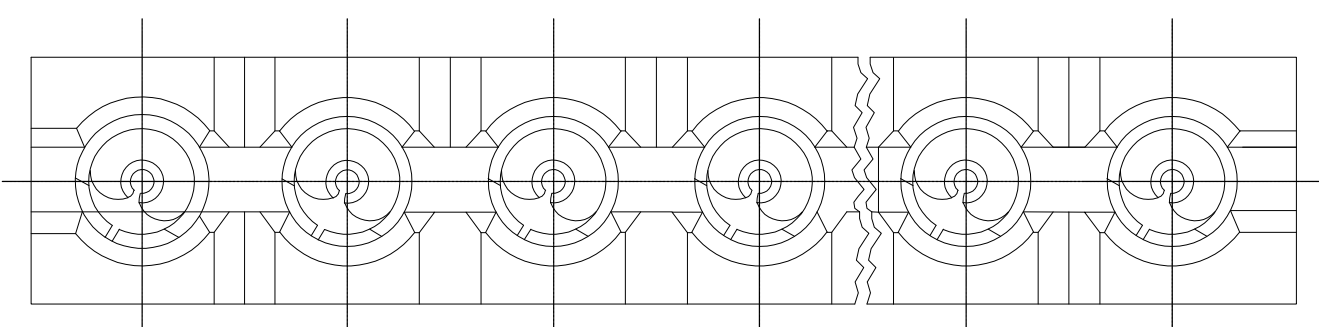
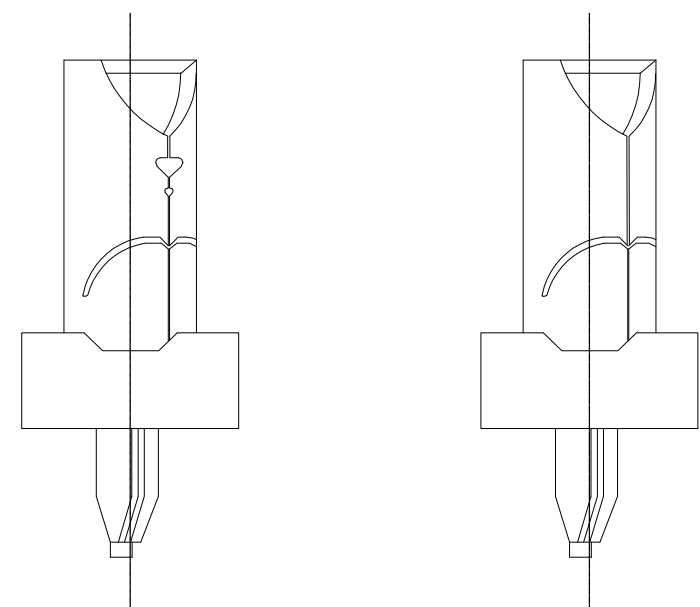


THIS DRAWING IS UNPUBLISHED. RELEASED FOR PUBLICATION JUL ,2010.
 © COPYRIGHT 2006 BY TYCO ELECTRONICS CORPORATION. ALL INTERNATIONAL RIGHTS RESERVED.

LOC	DIST	REVISIONS			
P	LTR	DESCRIPTION	DATE	DWN	APVD
A1	-				
	A	INITIAL RELEASE	28JUL2010	PKS	TK
	-	-	-	-	-



827702-1 827702-2
 827702-3



827702-3	5	25.4	6 POS. BARREL STRIP ASS'Y
827702-2	15	76.2	16 POS. BARREL STRIP ASS'Y
827702-1			
PART NO.	A	DIM. B	DESCRIPTION

THIS DRAWING IS A CONTROLLED DOCUMENT.		DWN SENTHIL 23JUL2010	Tyco Electronics Corporation India Bangalore, India	
DIMENSIONS: mm		CHK SENTHIL 26JUL2010		
TOLERANCES UNLESS OTHERWISE SPECIFIED:		APVD T.KLENNER 28JUL2010	NAME	
0 PLC ± -		PRODUCT SPEC	6/16 POS. BARREL STRIP ASSY	
1 PLC ± -		108-6025	16 POL. BARREL TRAEGERSTREIFEN, BESTUECKT	
2 PLC ± 0.1		APPLICATION SPEC	SIZE	CAGE CODE
3 PLC ± -		114-6000	DRAWING NO	
4 PLC ± -		WEIGHT -	RESTRICTED TO	
ANGLES ± 2°		CUSTOMER DRAWING	A3	00779
MATERIAL -		SCALE 5:1		SHEET 1 OF 1
FINISH -		REV A		