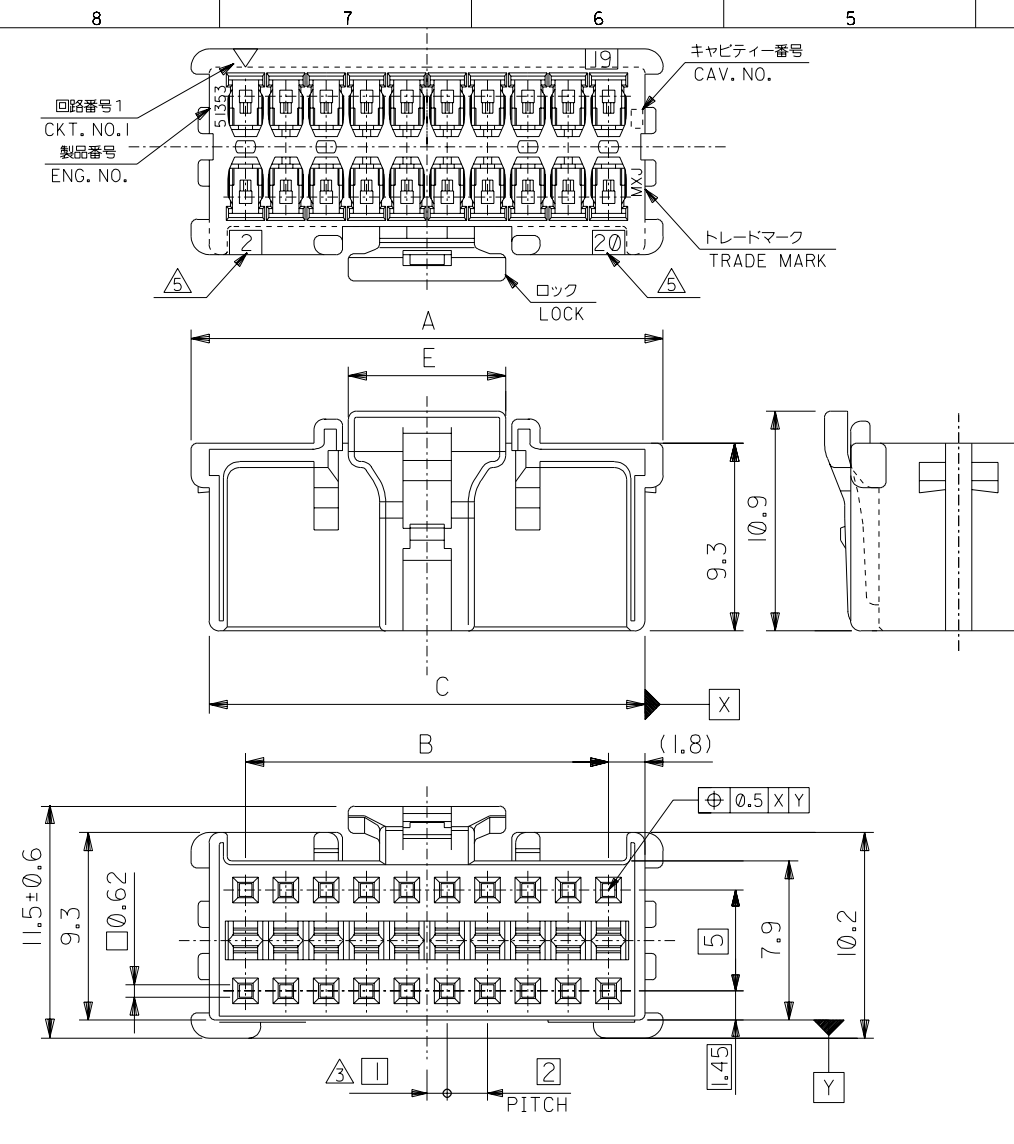


DO NOT SCALE DRAWING

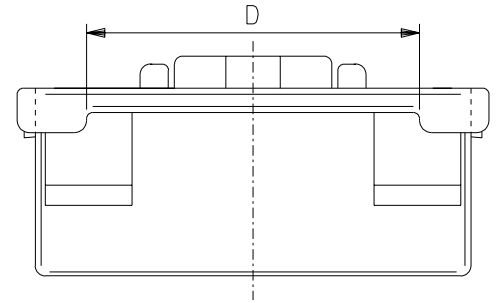


注記
NOTES

- △ 適合ターミナル : 56134-9000, 9100
APPLICABLE TERMINAL : 56134-9000, 9100
- 2. 嵌合相手 : 55917, 55959 シリーズ
MATE WITH : 55917, 55959 SERIES
(全極数/2) = 偶数の場合に適用。
APPLY FOR (CIRCUIT/2) = EVEN
- △ 製品番号
MATERIAL NO. 51353-**-0*
- △ ロック側の回路番号表示は、8~14極は無し、16~40極は有り。
LOCK SIDE CKT. NO. DIDN'T INDICATED 8~14CKT,
INDICATE 16~40CKT.

極数 CIRCUIT SIZE 色 COLOR

ナチュラル (白) NATURAL (WHITE)	0
黒 BLACK	1
赤 RED	2
黄 YELLOW	3
青 BLUE	4
桃 PINK	5
緑 GREEN	6
茶 BROWN	7
橙 ORANGE	8
紫 VIOLET	9



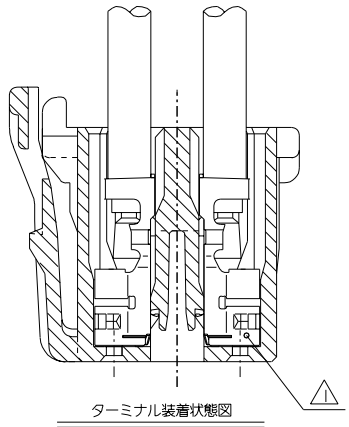
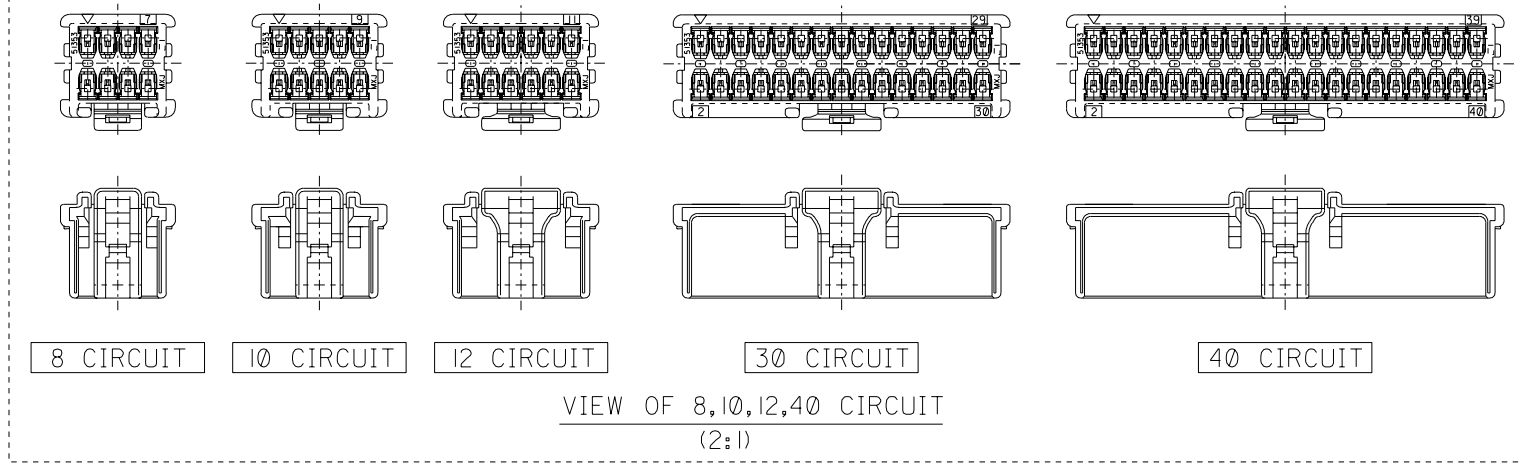
7.8	36.5	41.6	38	43.4	51353-400*	40
	34.5	39.6	36	41.4	-380*	38
	32.5	37.6	34	39.4	-360*	36
	30.5	35.6	32	37.4	-340*	34
	28.5	33.6	30	35.4	-320*	32
	26.5	31.6	28	33.4	-300*	30
	24.5	29.6	26	31.4	-280*	28
	22.5	27.6	24	29.4	-260*	26
	20.5	25.6	22	27.4	-240*	24
	18.5	23.6	20	25.4	-220*	22
	16.5	21.6	18	23.4	-200*	20
	14.5	19.6	16	21.4	-180*	18
	12.5	17.6	14	19.4	-160*	16
	10.5	15.6	12	17.4	-140*	14
7.8	8.5	13.6	10	15.4	-120*	12
4.7	6.5	11.6	8	13.4	-100*	10
4.7	4.5	9.6	6	11.4	51353-080*	8
E	D	C	B	A	MATERIAL NO.	CKT.

EC NO.	REVISED	MATERIAL	66NYLON, UL94V-0
DRWN: N.ITO	EC NO. J2003-0719	FINISH	//
CHK: K.ASAKAWA	DRWN: N.ITO '02/10/22	WIRE RANGE	//
APPR: T.YAMAGUCHI	CHK: K.ASAKAWA	INS. RANGE	//
REVISED	EC NO. J2003-0066	DESCRIPTION	
DRWN: N.ITO	DRWN: N.ITO '02/07/08	REVISED	
CHK: K.ASAKAWA	CHK: K.ASAKAWA	RELEASED	
APPR: T.YAMAGUCHI	APPR: T.YAMAGUCHI	EC NO. J2002-1196	
REVISED	EC NO. J2002-2307	DRWN: N.ITO	'01/12/17
DRWN: N.ITO	DRWN: N.ITO '02/03/18	CHK: K.ASAKAWA	
APPR: T.YAMAGUCHI	APPR: T.YAMAGUCHI	RELEASED	
REVISED	EC NO. J2002-1196	DRWN: N.ITO	'01/12/17
DRWN: N.ITO	DRWN: N.ITO '02/03/18	CHK: K.ASAKAWA	
APPR: T.YAMAGUCHI	APPR: T.YAMAGUCHI	RELEASED	
REVISED	EC NO. J2002-2307	DRWN: N.ITO	'01/12/17
DRWN: N.ITO	DRWN: N.ITO '02/03/18	CHK: K.ASAKAWA	
APPR: T.YAMAGUCHI	APPR: T.YAMAGUCHI	RELEASED	
REVISED	EC NO. J2003-0066	DRWN: N.ITO	'02/07/08
DRWN: N.ITO	DRWN: N.ITO '02/07/08	CHK: K.ASAKAWA	
APPR: T.YAMAGUCHI	APPR: T.YAMAGUCHI	RELEASED	
REVISED	EC NO. J2003-0719	DRWN: N.ITO	'02/10/22
DRWN: N.ITO	DRWN: N.ITO '02/10/22	CHK: K.ASAKAWA	
APPR: T.YAMAGUCHI	APPR: T.YAMAGUCHI	RELEASED	

GENERAL TOLERANCES: (UNLESS SPECIFIED) 一般公差		SCALE		DESIGN UNITS		MODEL NO.		DIMENSIONS:		SHT		REV	
10 UNDER	未満	±0.2	///	mm	INCH	51353-**-0*	THIRD ANGLE	mm	INCH	mm	ONLY	REVISION	CAD ONLY
10 OVER	30 UNDER	±0.25	///	mm	INCH	N.ITO	PROJECTION	mm	mm	mm	ONLY	TITLE: 2.0mm W+-B DUAL CONN DIP RCPT HOUSING	
30 OVER	以上	±0.3	///	mm	INCH	K.ASAKAWA		mm	mm	mm	ONLY	MOLEX INCORPORATED	
ANGLE	角度	±3°	///	mm	INCH	T.YAMAGUCHI		mm	mm	mm	ONLY	MATERIAL NO. DRAWING NO. SHEET NO.	
						51353002.S01		mm	mm	mm	ONLY	51353002.S01	1 OF 2
THIS DRAWING CONTAINS INFORMATION THAT IS PROPRIETARY TO MOLEX INCORPORATED AND SHOULD NOT BE USED WITHOUT WRITTEN PERMISSION.												SIZE	B

DWG. NO. SD-51353-002

8 7 6 5 4 3 2 1



ターミナル装着状態図
TERMINAL ASSEMBLY DRAWING
SCALE 5:1

DO NOT SCALE DRAWING

EC NO. DRWN: CHK: APPR:	REVISED EC NO. J2003-0719 DRWN:N.ITO '02/09/12 CHK: K.ASAKAWA APPR:T.YAMAGUCHI	REVISED EC NO. J2003-0066 DRWN:N.ITO '02/07/08 CHK: K.ASAKAWA APPR:T.YAMAGUCHI	REVISED EC NO. J2002-2307 DRWN:N.ITO '02/03/18 CHK: K.ASAKAWA APPR:T.YAMAGUCHI	RELEASED EC NO. J2002-1196 DRWN:N.ITO '01/12/17 CHK: K.ASAKAWA APPR:T.YAMAGUCHI
C	B	A	0	

MATERIAL 材料	SEE CHART 1 OF 2
FINISH 仕上げ	//
WIRE RANGE 適用線径範囲	//
INS. RANGE 被覆外径	//

GENERAL TOLERANCES: (UNLESS SPECIFIED) 一般公差	
10 UNDER 未満	±0.2
10 OVER 30 UNDER 以上 未満	±0.25
30 OVER 以上	±0.3
ANGLE 角度	±3°

51353-●●0●		MODEL NO.	DIMENSIONS:		SHT	REV
SCALE	DESIGN UNITS	THIRD ANGLE PROJECTION	<input type="checkbox"/> mm	<input type="checkbox"/> INCH	REVISIONS	CAD ONLY
---	<input checked="" type="checkbox"/> mm <input type="checkbox"/> INCH		<input type="checkbox"/> mm ONLY			
DRAWN BY & DATE N.ITO '01/12/17		TITLE: 2.0mm W-+-B DUAL CONN DIP RCPT HOUSING				
CHECKED BY & DATE K.ASAKAWA '02/09/12		MOLEX MOLEX INCORPORATED				
APPROVED BY & DATE T.YAMAGUCHI '02/09/12		MATERIAL NO.	DRAWING NO.	SHEET NO.		
CAD FILENAME 51353002.S02		SEE CHART	SD-51353-002	2 OF 2		
THIS DRAWING CONTAINS INFORMATION THAT IS PROPRIETARY TO MOLEX INCORPORATED AND SHOULD NOT BE USED WITHOUT WRITTEN PERMISSION.						
					SIZE B	

8 7 6 5 4 3 2 1 EN-02J(097) MXJ-54