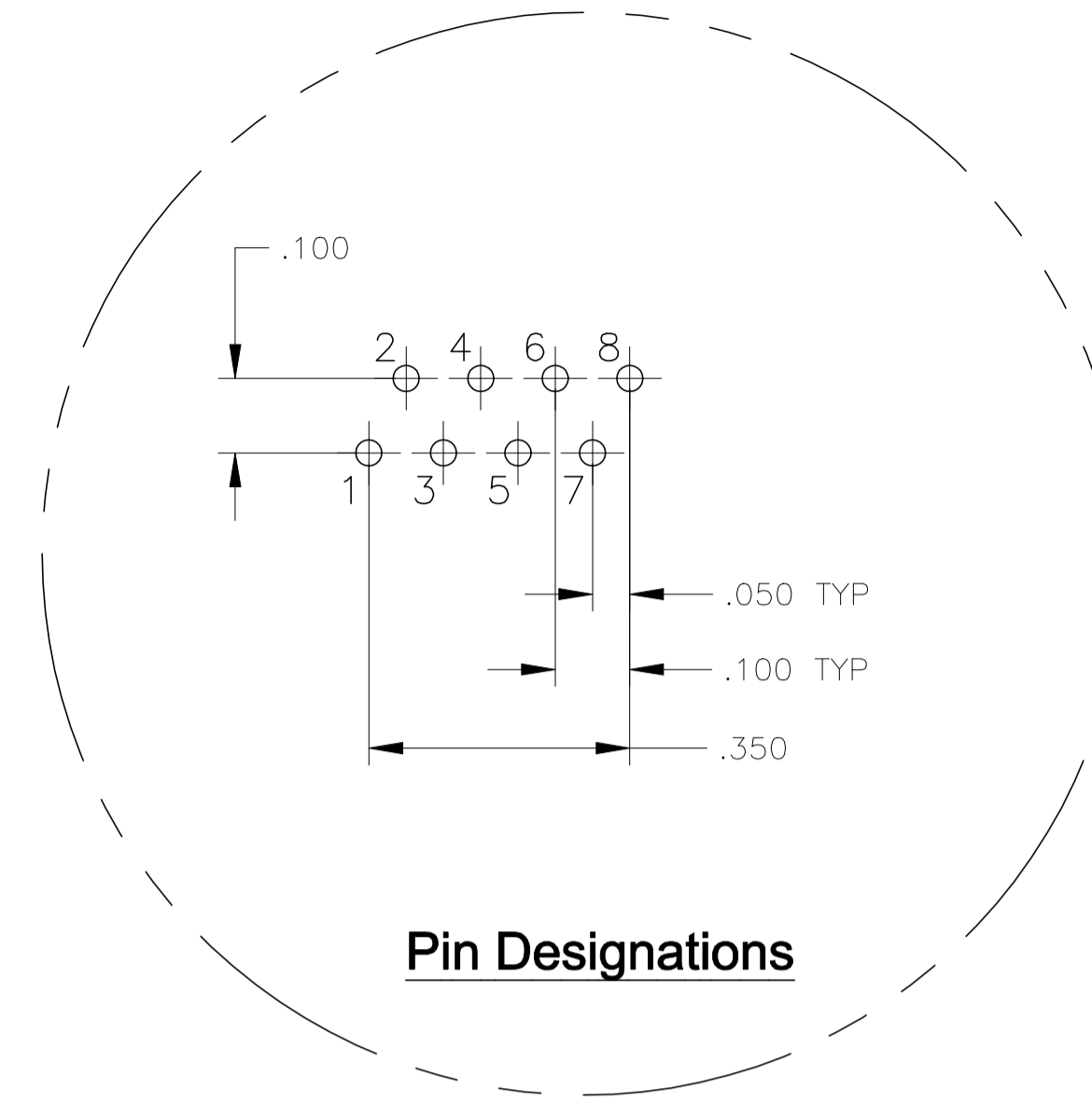
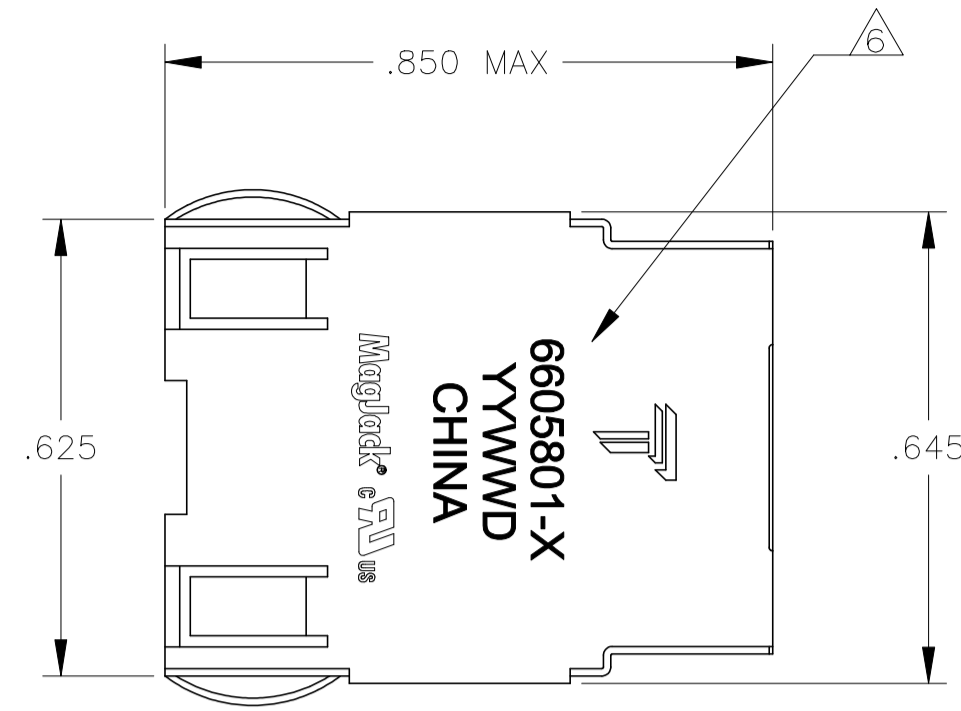


THIS DRAWING AND THE SUBJECT MATTER SHOWN THEREON ARE CONFIDENTIAL AND THE PROPERTY OF BEL/STEWART/TRP CONNECTOR AND SHALL NOT BE REPRODUCED, COPIED, OR USED IN ANY MANNER WITHOUT THE WRITTEN CONSENT OF TRP CONNECTOR.

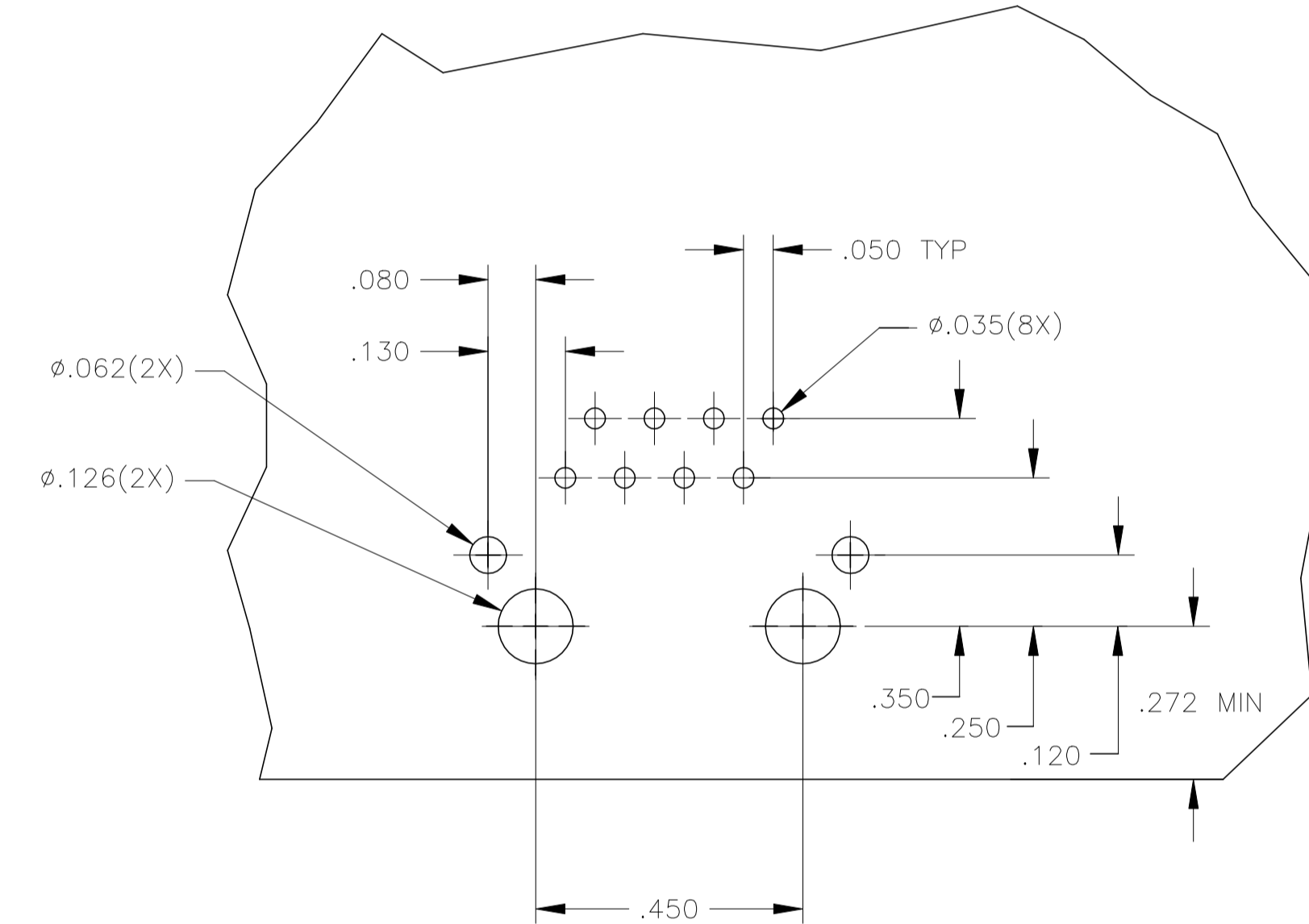
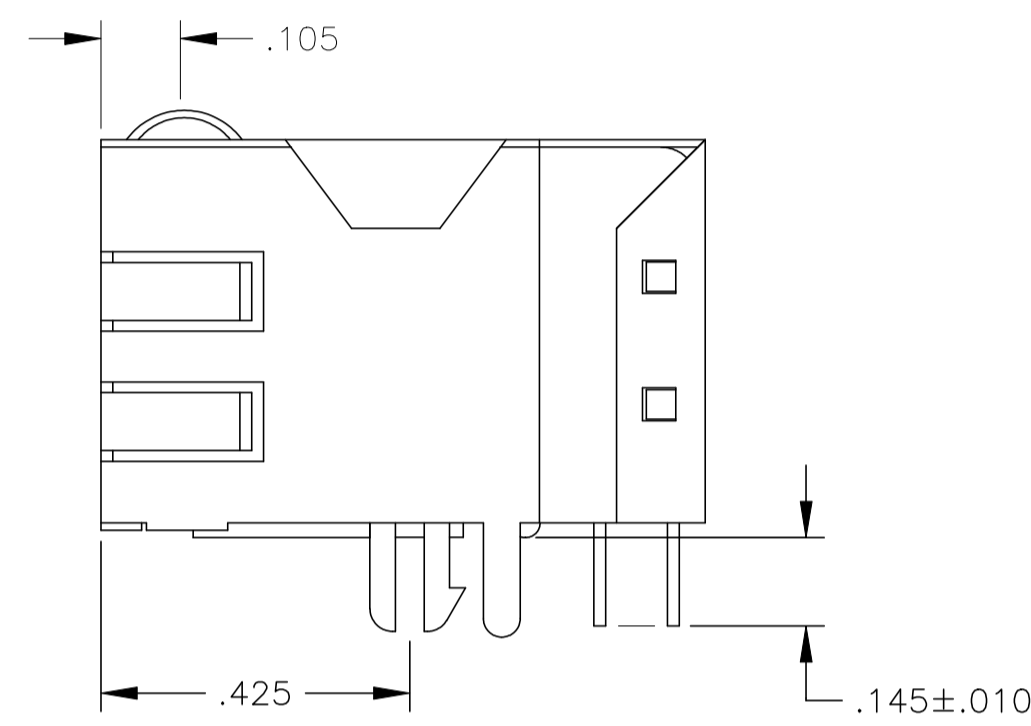
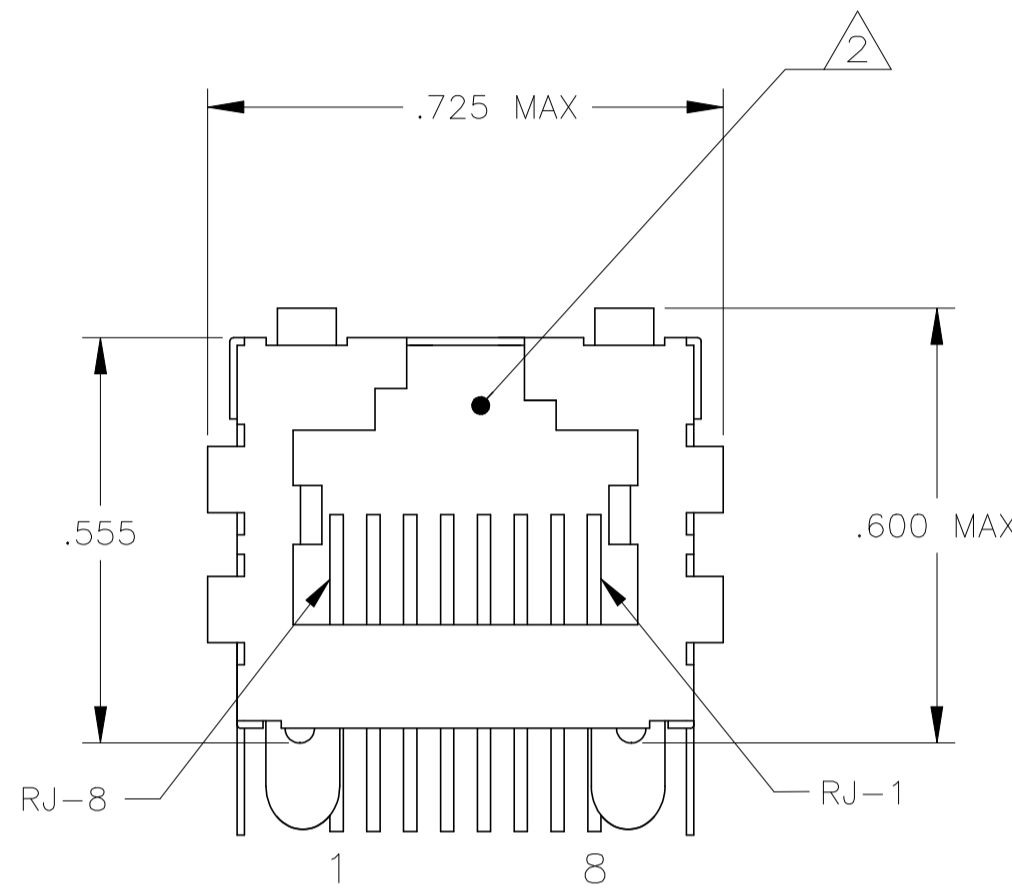
PRODUCT MAY BE PROTECTED BY ONE OR MORE OF THE FOLLOWING US PATENTS:  
 5736910 5939955 6425781 6428361 6554638 6840817 7123117  
 7429195 7717749 7808751 6217391 6149050 7924130

REVISIONS				
P	LYR	DESCRIPTION	DATE	APVD
E		EC-1411035 COMPANY LOGO CHANGE	08JAN2015	HY KZ

**MECHANICAL:**



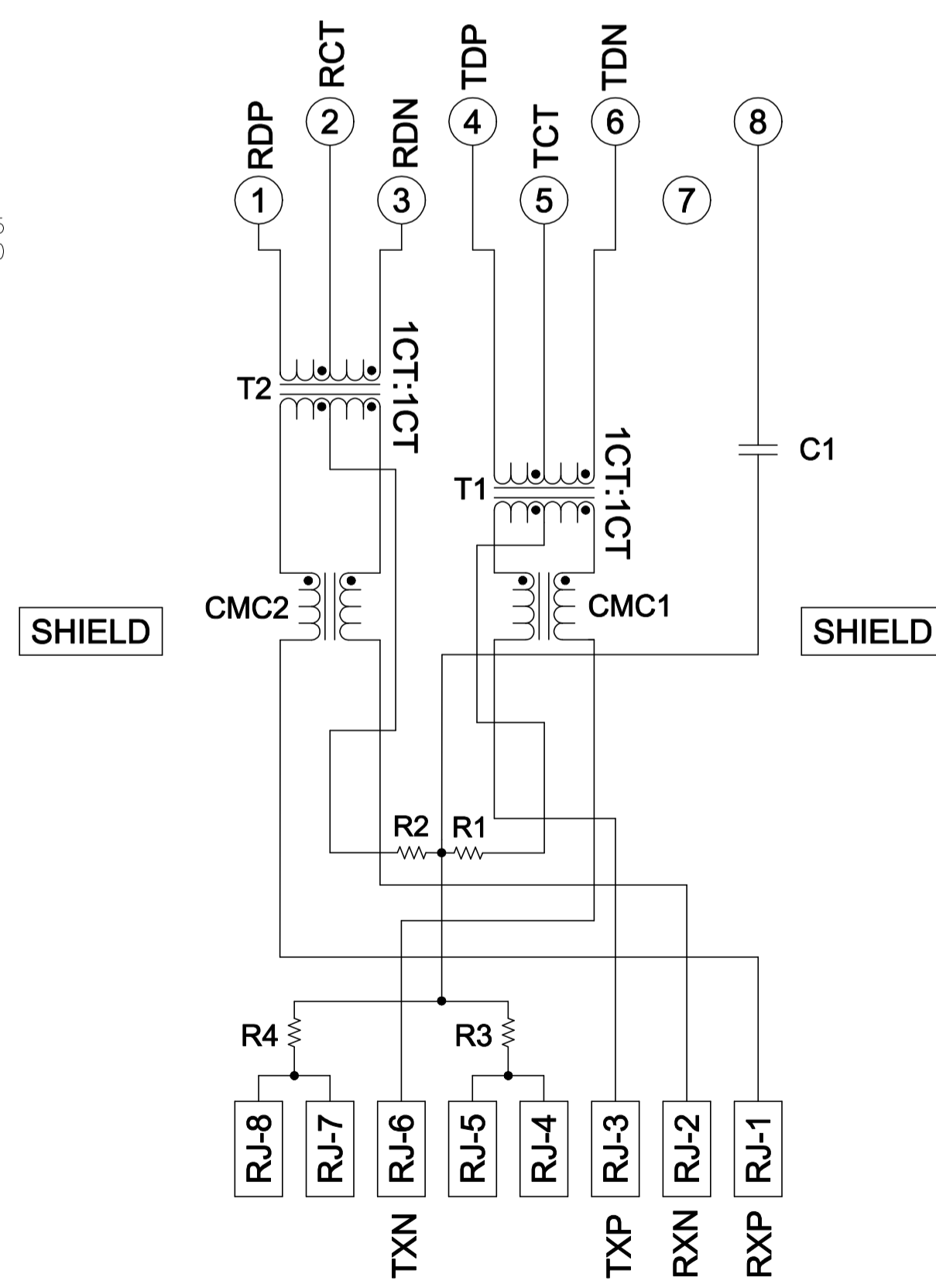
- MATERIALS:**
- HOUSING - THERMOPLASTIC PET POLYESTER FLAMMABILITY RATING UL 94V-0.
  - SHIELD - .010" THICK, C26800 BRASS PREPLATED WITH 30μ INCH MIN SEMI-BRIGHT NICKEL, SOLDER TABS POST DIPPED WITH 100μ INCH MIN SAC SOLDER.
  - MOD JACK CONTACTS - 0.0157" x 0.018" PHOSPHOR BRONZE, 50μ INCH MIN OVERALL NICKEL UNDERPLATE, WITH SELECT 50μ INCH MIN HARD GOLD FINISH PLATE. SOLDER TAILS WITH 100μ INCH MIN MATTE TIN AND/OR SAC SOLDER DIP.
- RJ45 JACK CAVITY CONFORMS TO FCC RULES AND REGULATIONS PART 68, SUB PART F.**
- MAGNETICS**
- IMPEDANCE: 100 OHMS
  - TURNS RATIO (CHIP-CABLE): TX = 1:1, RX = 1:1
  - OPEN CIRCUIT INDUCTANCE (OCL): 350μH MIN @100kHz, 0.1VRMS, 8mADC BIAS FROM 0°C TO 70°C, TX AND RX
  - PERFORMANCE @ 25°C:
    - INSERTION LOSS (IL): 1.1dB MAX FROM 0.5MHZ TO 100MHZ
    - RETURN LOSS (RL): 18dB MIN FROM 0.5MHZ TO 30MHZ
    - 18-20\*LOG(f/30)dB MIN FROM 30.1MHZ TO 60MHZ
    - 12dB MIN FROM 60.1MHZ TO 80MHZ
    - CROSSTALK ATTENUATION: 35dB MIN FROM 0.5MHZ TO 40MHZ
    - 33-20\*LOG(f/50)dB MIN FROM 40.1MHZ TO 100MHZ
    - COMMON MODE REJECTION RATIO (CMRR): 30dB MIN FROM 0.5MHZ TO 100MHZ
    - ISOLATION VOLTAGE: 2250VDC (MAX) FOR 60 SECONDS WITH A RISE TIME OF 500V/SEC.
4. OPERATING TEMPERATURE: FROM 0°C TO +70°C.
- INDICATED CONNECTIONS ARE FOR HUB CONFIGURATION. THE MAGNETICS ARE SYMMETRIC TO SUPPORT AUTO-MDI/MDIX.
- TRP CONNECTOR LOGO, PART NUMBER, DATE CODE, COUNTRY OF ORIGIN AND AGENCY APPROVAL MARKING IN APPROXIMATE LOCATION SHOWN.
7. THE PART IS RECOMMENDED FOR WAVE SOLDERING PROCESS. PREHEAT TEMPERATURE IS 120°C TO 160°C, 120 SECONDS TO 180 SECONDS, PEAK WAVE SOLDERING TEMPERATURE IS 260°C MAX, 10 SECONDS MAX.



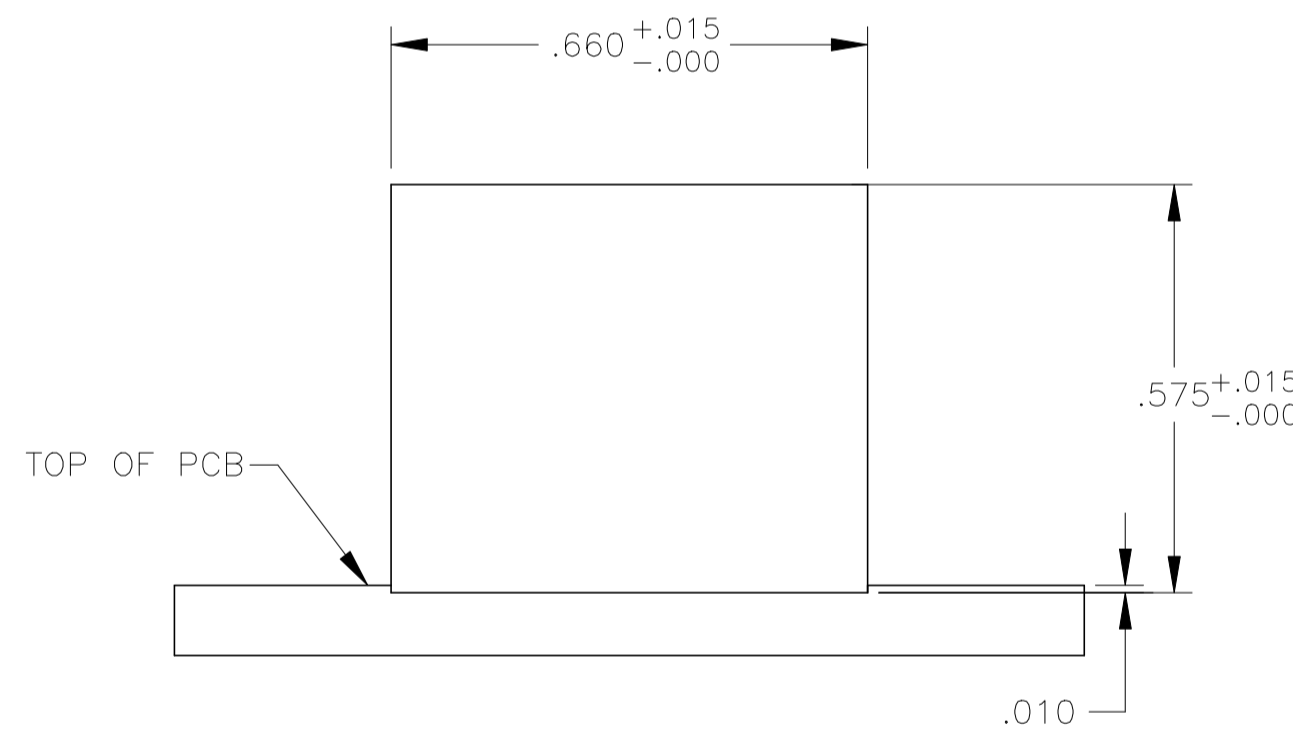
**Suggested PCB Layout  
(Component Side)**

**ELECTRICAL:**

**766P1 SERIES MAGNETIC CIRCUIT**



**C1 = 1000 pF, 2kV DECOUPLING CAPACITOR  
 R1-R4 = 75 OHMS, 1/16 W RESISTORS**



**Suggested Panel Cutout**

6605801-1  
PART NUMBER

THIS DRAWING IS A CONTROLLED DOCUMENT.		DWN: L. VARELA - DOCK5 CHK: D. FAROLE APVD: D. FAROLE	02MAR2005 02MAR2005 02MAR2005	<p>trp CONNECTOR DONGGUAN CHINA</p>	DESC: 1X1 766P1 10/100 TAB UP W/O LED
DIMENSIONS: INCHES	TOLERANCES UNLESS OTHERWISE SPECIFIED:	MODEL NAME: MAGJACK SINGLE	SIZE: A1		RESTRICTED TO: NON-POE
0 PLC ± -	1 PLC ± .010	2 PLC ± .010	3 PLC ± .005	4 PLC ± -	ANGLES ± -
PRODUCT SPEC: 108-2100	APPLICATION SPEC: -	CAGE CODE: -	DRAWING NO: C=6605801	SCALE: NTS	SHEET: 1 OF 1
CUSTOMER DRAWING				REV: E	