

10 9 8 7 6 5 4 3 2 1

VIEW ON MATING SIDE

C	A	A	A	A	A	A	A	A	A	A	A	A	A	A	A
D															
C	A	A	A	A	A	A	A	A	A	A	A	A	A	A	A
	2	3	4	5	6	7	8	9	10	11	12	13	14	15	16

A = 32 STANDARD CONTACTS L = 2.9

MARKING	STANDARD
PERFORMANCE LEVEL	G2/0 = CONTACT AREA LEVEL 2 / TERMINATION TIN
FLUX PROOF	NO
FIXING CLIP	NO
DIMENSIONS	SD-85013-0002 SHT I

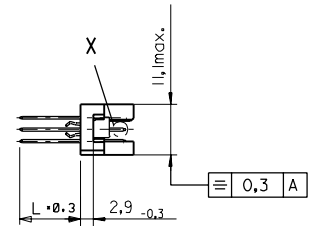
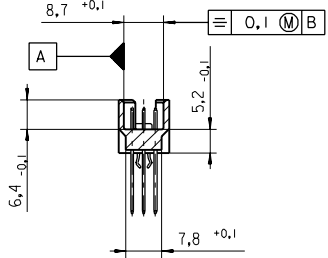
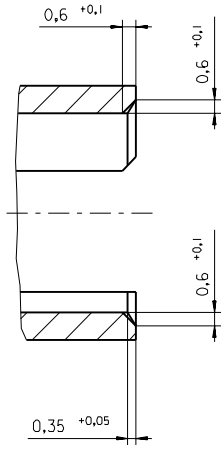
CONTACT SYMBOL	PERFORMANCE LEVEL	CONTACT POSITION NUMBER
A	G2/0	a1-a16, c1-c16

ENTER DESCRIPTION EC NO: I2006-0315 DRWN:SSUDHIR 2005/12/01 CHKD:KPRASAD 2005/12/02 APPR:KPRASAD 2005/12/02	QUALITY SYMBOLS ▽=0 ◻=0	GENERAL TOLERANCES (UNLESS SPECIFIED)		DIMENSION STYLE MM ONLY		SCALE ---	DESIGN UNITS METRIC	THIRD ANGLE PROJECTION		
			mm	INCH	DRAWN BY	DATE	TITLE 48 POS. MALE CONNECTOR ACC. DIN 41612 STYLE R/2 CONTACTS			
		4 PLACES	±---	±---	NS	2004/03/31				
		3 PLACES	±---	±---	CHECKED BY	DATE	MOLEX INCORPORATED			
2 PLACES	±---	±---	GL	2004/03/31						
1 PLACE	±---	±---	APPROVED BY	DATE	MATERIAL NO. 85013-2000 DOCUMENT NO. SD-85013-2000 SHEET NO. 1 OF 1					
ANGULAR		±---°	GL	2004/03/31						
DRAFT WHERE APPLICABLE MUST REMAIN WITHIN DIMENSIONS			SIZE A3	THIS DRAWING CONTAINS INFORMATION THAT IS PROPRIETARY TO MOLEX INCORPORATED AND SHOULD NOT BE USED WITHOUT WRITTEN PERMISSION						

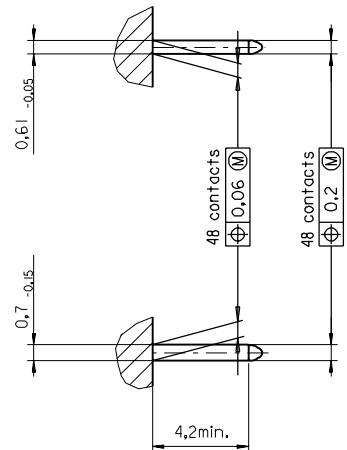
9 8 7 6 5 4 3 2 1

PART NO.
DWG. NO.

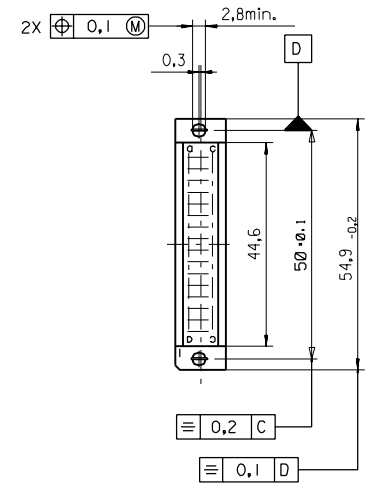
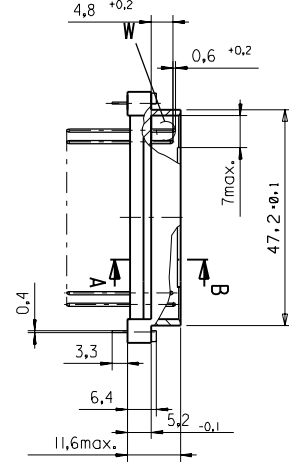
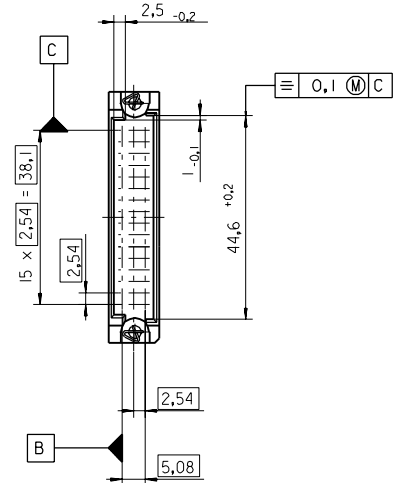
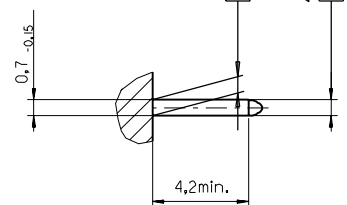
Section A - B
5:1



View X
5:1



View W
5:1



FIRST ANGLE PROJECTION		REVISE ONLY ON CAD SYSTEM		SH.	REV.
first release see ECN No. 1887	L TR FOR PREVIOUS REVISIONS SEE MRI LIST	UNLESS OTHERWISE SPECIFIED TOLERANCES: ANGULAR ±2°	DRWG BY Ca	CAD/CAM PROJECT NAME 85013000 821	
		INCH METRIC	CHK'D BY KN	THIS DRAWING CONTAINS INFORMATION THAT IS PROPRIETARY TO MOLEX INC. & SHOULD NOT BE USED WITHOUT WRITTEN PERMISSION	
		3 PLACE ± . ±		TITLE 48 pos. Male connector acc. DIN 41612 style R/2 Dimensions	
		2 PLACE ± . ±		SHEET NO. DATE 1 OF 95/06/08	
		1 PLACE ± . ±		MOLEX EUROPE	
		DRAFT WHERE APPLICABLE MUST REMAIN WITHIN DIMENSIONS		PART NO. DWG NO. SIZE	
		DESIGN DIMENSION <input checked="" type="checkbox"/> MM <input type="checkbox"/> IN.		SDA-85013-0002 B	
		EQUIVALENT DIMENSION <input type="checkbox"/> MM <input type="checkbox"/> IN.			
		IF TWO DIMENSIONS ARE SHOWN THE UPPER IS THE DESIGN DIMENSION, LOWER IS SECONDARY			

VIEW ON MATING SIDE

∩	A	A	A	A	A	A	A	A	A	A	A	A	A	A	A	A	A	A	A
∞																			
◁	A	A	A	A	A	A	A	A	A	A	A	A	A	A	A	A	A	A	A

1 2 3 4 5 6 7 8 9 10 11 12 13 14 15 16 17 18 19 20

A = 32 STANDARD CONTACTS L-2,9

Marking	Standard
Performance level	G2/0 = Contact area perform. level2 / Termination tin
Flux proof	no
Fixing clip	no
Dimensions	SDA-85013-0002 sht.1
Technical Data	PS-85013-0001

A	G2/0	a1-16	c1-16
Contact symbol	Perform. level	Contact position number	

first release see ECN No. 1868	REVISIONS		FOR PREVIOUS REVISIONS SEE MRI LIST	
	LTR	DESCRIPTION	DATE	BY

UNLESS OTHERWISE SPECIFIED TOLERANCES: ANGULAR ± 2°	DRWG BY	SIGN	SH. REV.
INCH	Ca		THIS DRAWING CONTAINS INFORMATION THAT IS PROPRIETARY TO MOLEX INC. & SHOULD NOT BE USED WITHOUT WRITTEN PERMISSION
METRIC	CHK'D BY	SIGN	
3 PLACE ± .	KN		
2 PLACE ± .	APP'D BY	SIGN	
1 PLACE ± .	SCALE		
DRAFT WHERE APPLICABLE MUST REMAIN WITHIN DIMENSIONS	DESIGN DIMENSION	MM	
		IN.	
	EQUIVALENT DIMENSION	MM	
		IN.	
IF TWO DIMENSIONS ARE SHOWN, THE UPPER IS THE DESIGN DIMENSION, LOWER IS SECONDARY	TITLE		
	48 pos. Male connector acc. DIN 41612 style R/2 contacts arrangement		
	MOLEX EUROPE		SHEET NO. DATE
	85013-2000		1 OF 1 95/06/07
	PART NO. DWG NO.		SIZE
	SDA-85013-2000		A