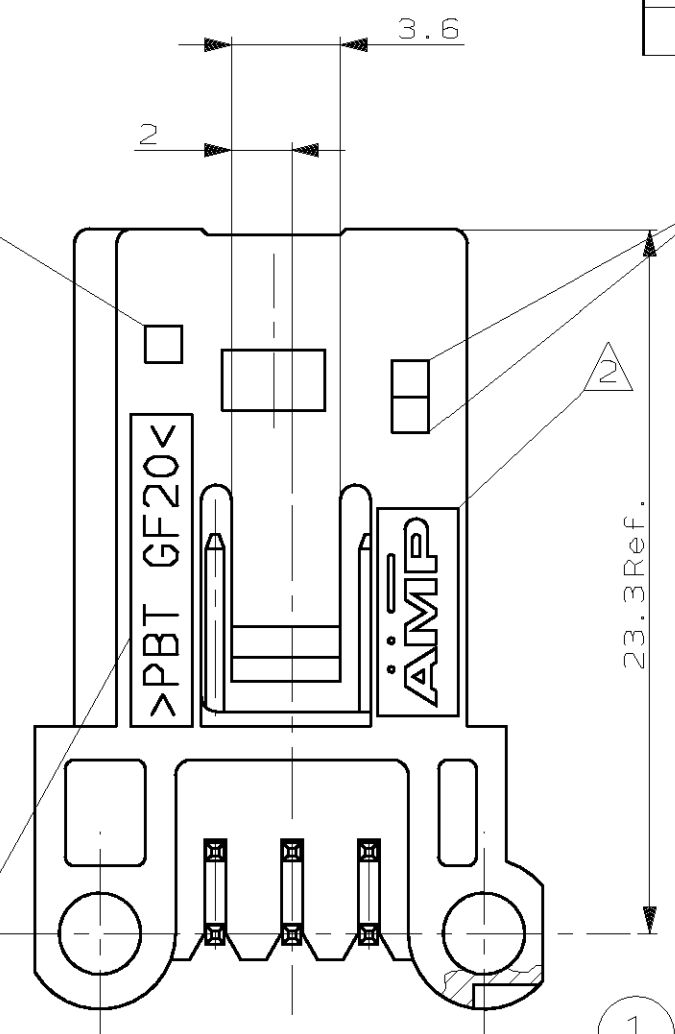
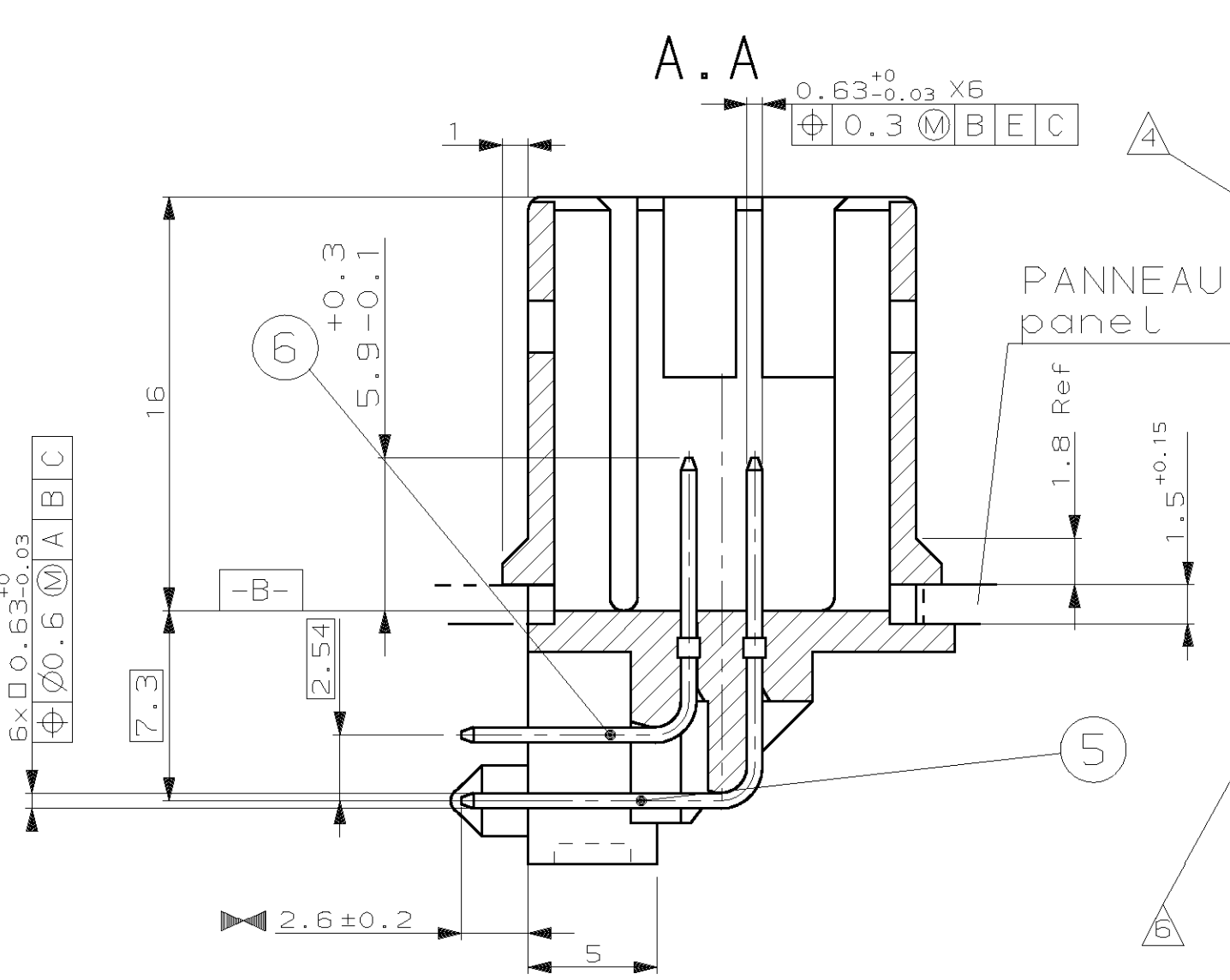
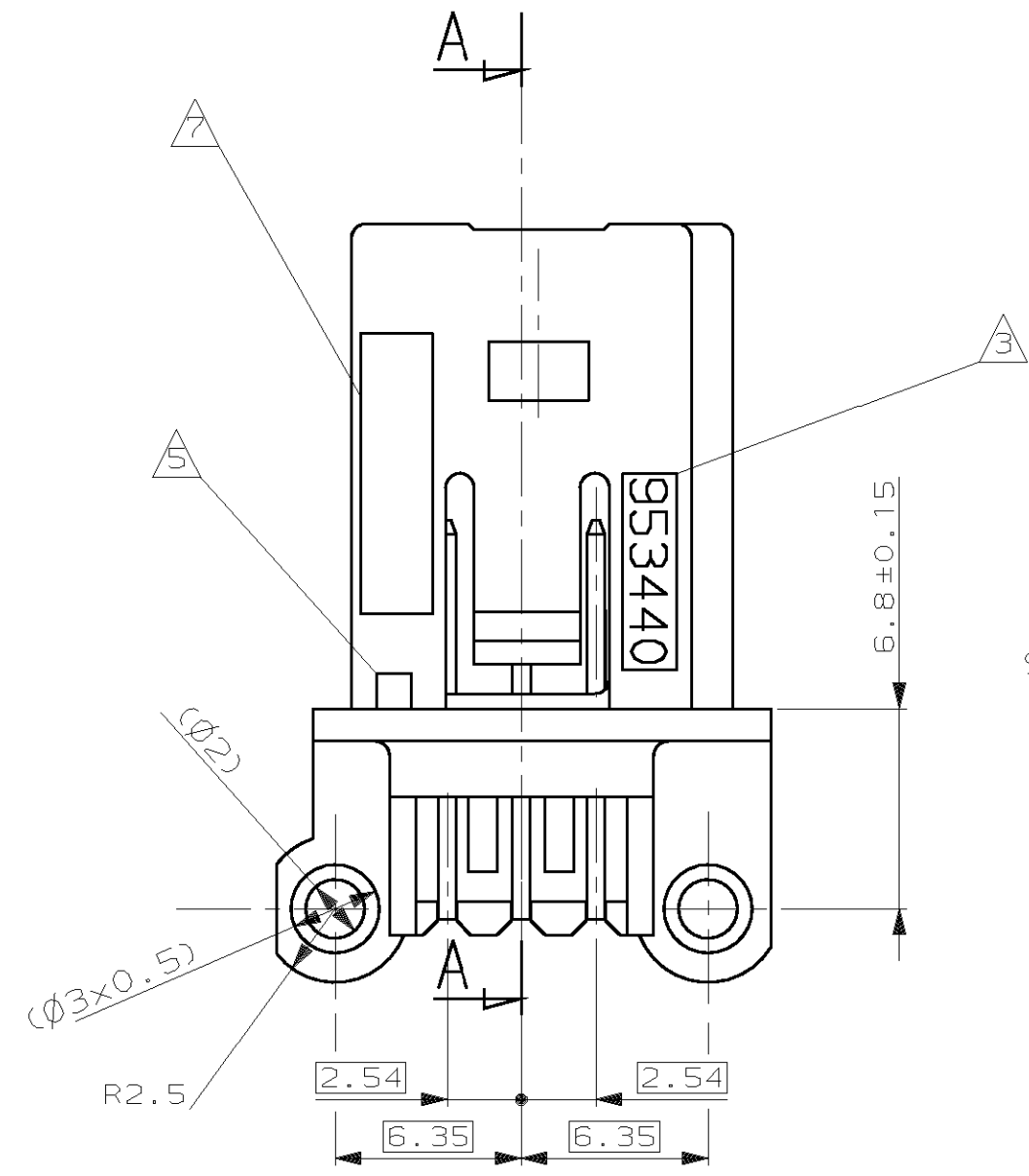


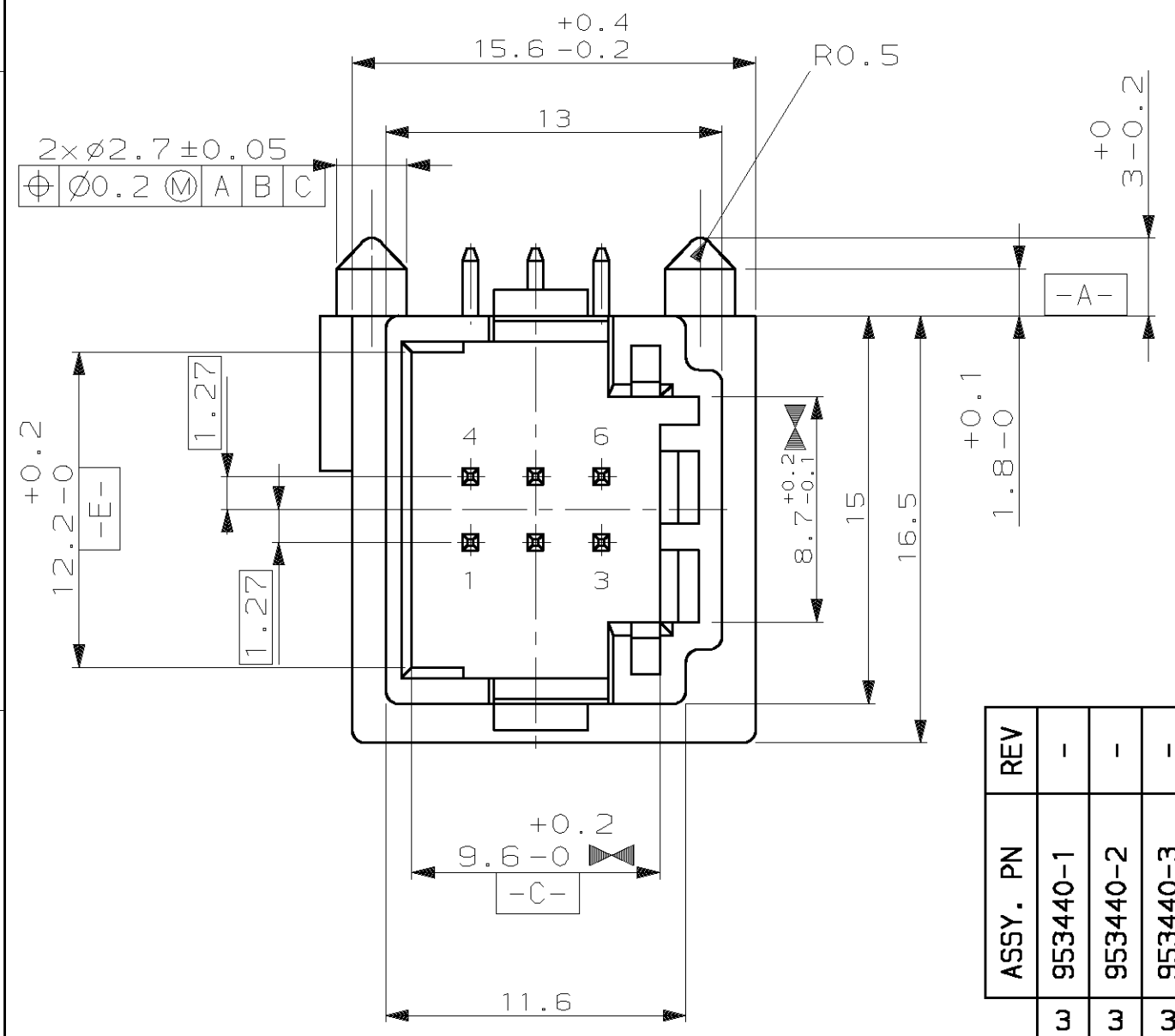
THIS DRAWING IS UNPUBLISHED.  
 DIFFUSION RESTREINTE AMP  
 (C) COPYRIGHT 19

RELEASED FOR PUBLICATION  
 DIFFUSION PUBLIQUE  
 ALL RIGHTS RESERVED.  
 BY AMP INCORPORATED. TOUS DROITS RESERVES.

REVISIONS					
P	LTR REV	DESCRIPTION MODIFICATIONS	DATE	DWN DESS.	APVD APP.
0		REPLACE REF. 185681	27-MAI-98	JLQ	-
A		TOLERANCE COTE 15.6	07-APR-00	JLQ	-

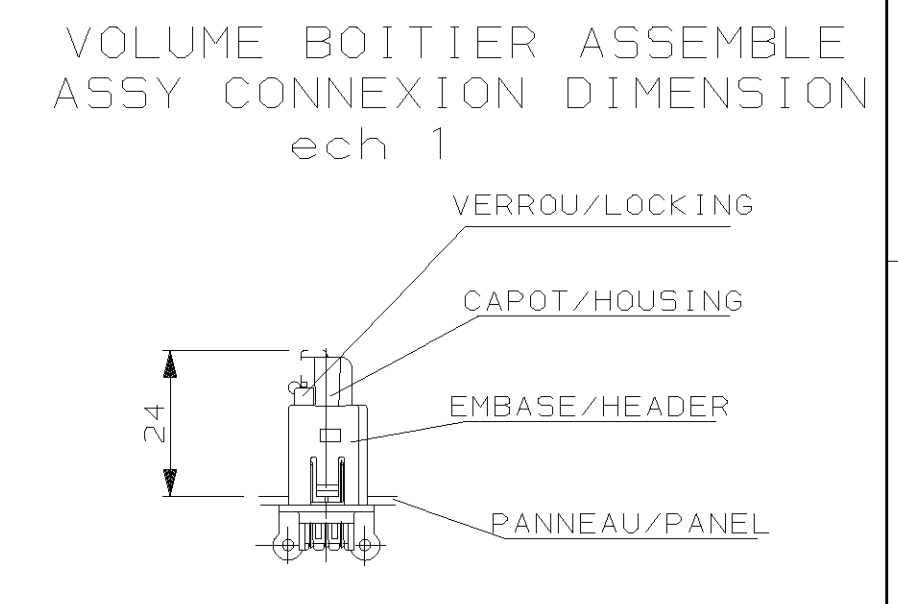
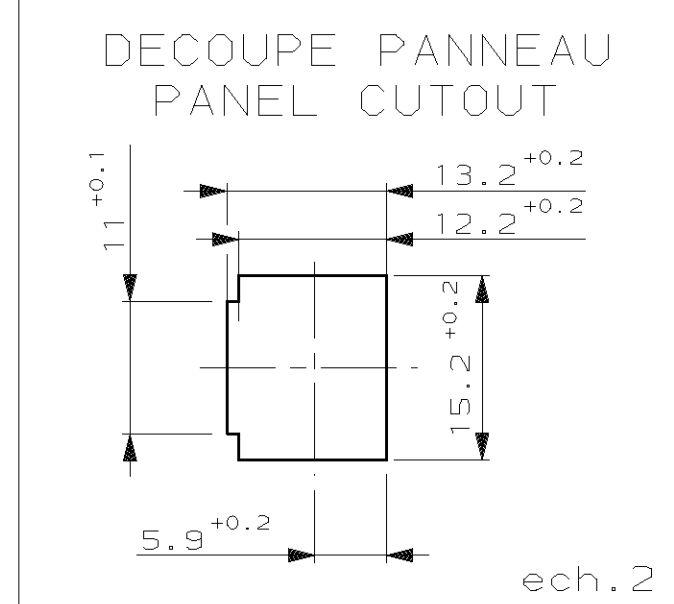
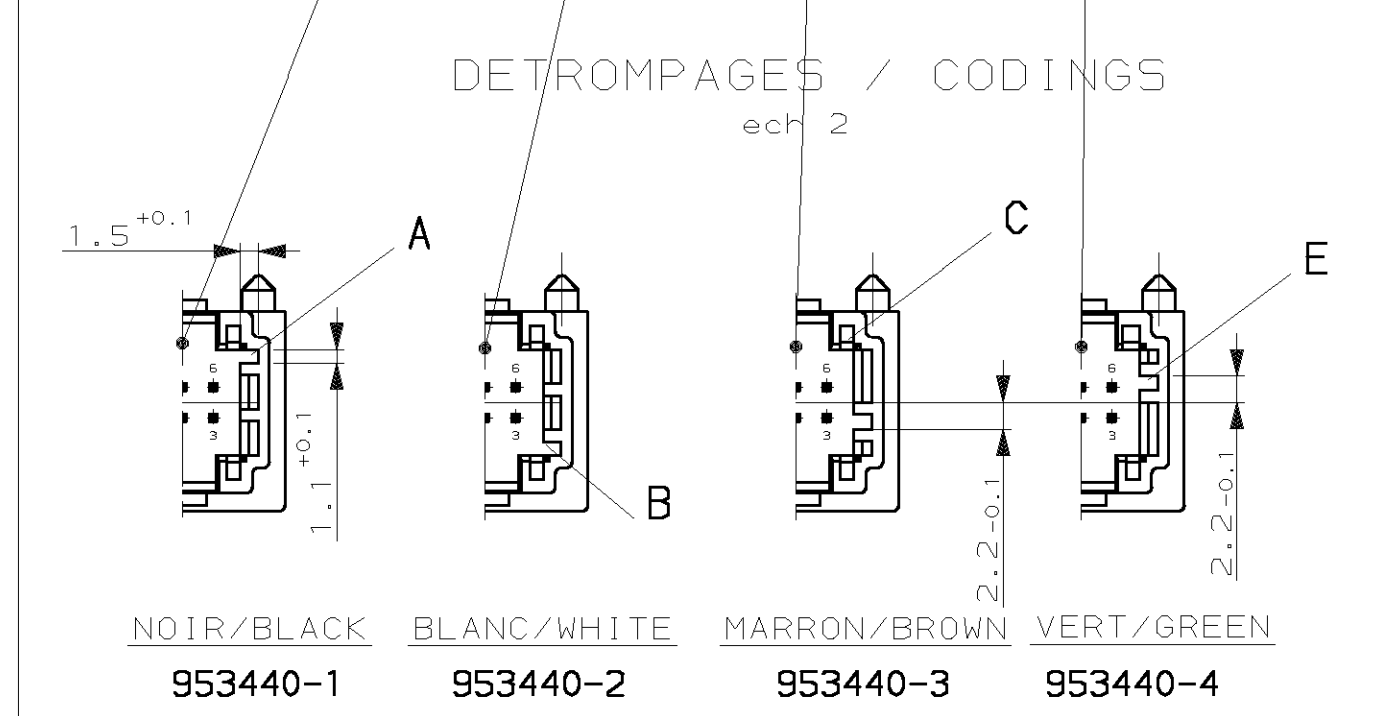


- Marquage:
- 1 Date de fabrication
  - 2 Logo AMP
  - 3 Reference du produit assemble
  - 4 Indice de revision du moule
  - 5 N° d'empreinte de moule
  - 6 Matiere: (voir tableau)
  - 7 Date d'assemblage
  - 8 Cote capabilite



- Marking:
- 1 Date code
  - 2 AMP Logo
  - 3 Assy part number
  - 4 Revision status
  - 5 Cavity marking
  - 6 Material reference
  - 7 Assy date
  - 8 Dimension for capability

953440-1



ASSY. PN	REV	MATERIAL	DESIGNATION / NAME	COULEUR / COLOR	REP.
953440-1	-	CuSn6	MQS SHORT CONTACT	POST ETAME / POST TIN	6
953440-2	-	CuSn6	MQS LONG CONTACT	POST ETAME / POST TIN	5
953440-3	-	PBT GF20	BOITIER / HOUSING	VERT / GREEN	4
953440-4	-	PBT GF20	BOITIER / HOUSING	MARRON / BROWN	3
	1	PBT GF20	BOITIER / HOUSING	BLANC / WHITE	2
	1	PBT GF20	BOITIER / HOUSING	NOIR / BLACK	1
QTY		MATERIAL	DESIGNATION / NAME	COULEUR / COLOR	REP.

THIS DRAWING IS A CONTROLLED DOCUMENT FOR AMP INCORPORATED. IT IS SUBJECT TO CHANGE AND THE CONTROLLING ENGINEERING ORGANIZATION SHOULD BE CONTACTED FOR THE LATEST REVISION. CE PLAN EST UN DOCUMENT CONTROLÉ PAR AMP INCORPORATED. IL EST SUSCEPTIBLE D'ÊTRE RÉVISÉ. CONTACTER LE SERVICE TECHNIQUE D'AMP SE FRANCE POUR OBTENIR LA DERNIÈRE RÉVISION.

DIMENSIONS: mm

TOLERANCES UNLESS OTHERWISE SPECIFIED, TOLERANCES NON SPECIFIEES (SUIV NB DE DECIMALES):

ANGLES ±5°

FINISH FINITION

MATERIAL MATIERE

DWN/DESIGNE: J. LAQUERBE 27-MAI-98  
 CHK/VERIFIE: J. LAQUERBE 18-APR-00  
 APVD/APPROUVE: J. REVIL 18-APR-00

NAME TITRE: AMP DE FRANCE 95301 PONTOISE

PRODUCT SPEC: 108-15150  
 SPEC. PRODUIT: 6W MQS RIGHT ANGLE HEADER WITH 2 PINS

APPLICATION SPEC: -  
 SPEC. APPLICATION: -

WEIGHT MASSE APPROX.: 2.5gr

SIZE FORMAT: A2  
 CAGE CODE: 00779  
 DRAWING NO TITRE: 953440

CUSTOMER DRAWING/PLAN CLIENT UNIFORMEMENT POUR REFERENCE: 1 OF 1

SCALE ECHELLE: 4:1

SHEET FEUILLE: 1 DE 1

REV: A