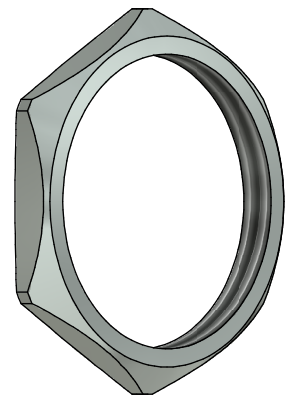
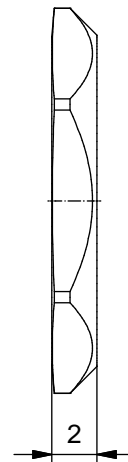
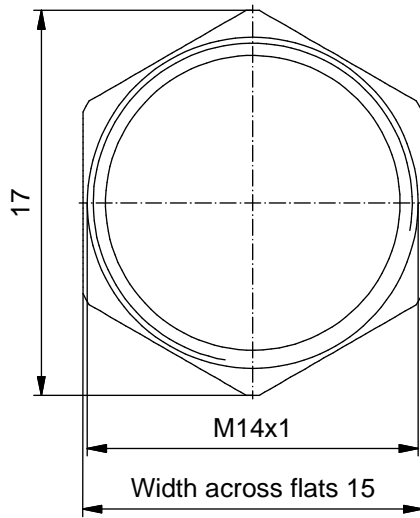
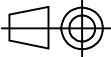



**Materials:**

Material: CuZn

Plating: Nickel gal.



DO NOT ALTER CAD DRAWING BY HAND Directive 2002/95/EC RoHS compliant	 dim. in mm		title: <b>Hex nut M14x1</b>	
	date	name		
	drawn	24.01.13	Kniesburges	dwg no: <b>43K1A1862</b>
	appd.	24.01.13	Mankopf	
	general tolerance:	0 ± 0,50mm 0,0 ± 0,25mm 0,00 ± 0,10mm		part no: <b>43-02132</b>
<small>THIS DRAWING MAY NOT BE COPIED OR REPRODUCED IN ANY WAY, AND MAY NOT BE PASSED ON TO A THIRD PARTY WITHOUT WRITTEN PERMISSION. OWNERSHIP AND COPYRIGHT OF CONEC GmbH</small>				