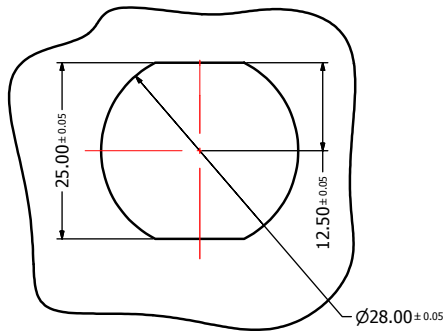
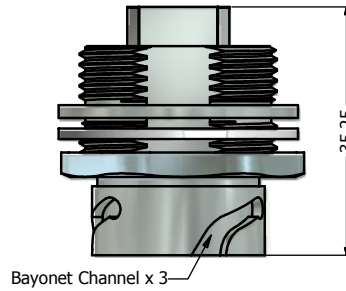


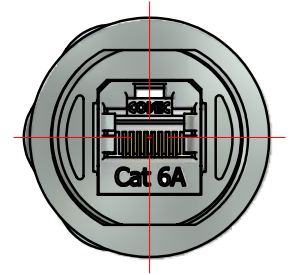
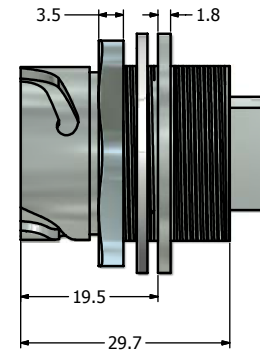
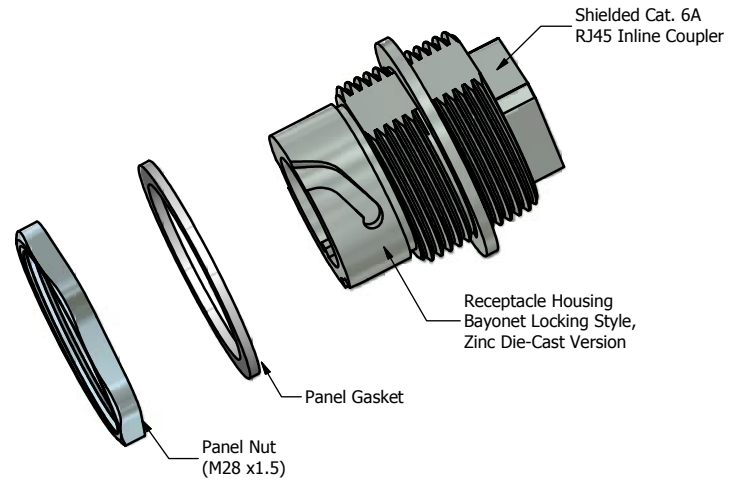
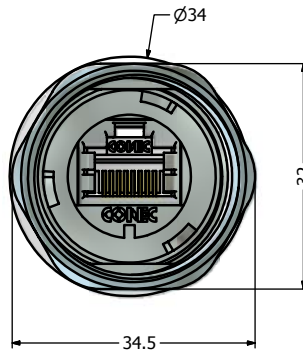
Recommended Single-D Panel Cutout



Recommended Double-D Panel Cutout



Bayonet Channel x 3



Notes:

- Electrical Specifications:
 - Meets EIA/TIA-568-B.2-10 Cat.6A Channel Specification
 - Contact Resistance: 20mOhm max.
 - Insulation Resistance: 500MOhm min. @ 100 VDC
 - Current Rating: 1.0A max. at 25° C
 - Working Voltage: 100 VDC
 - DWV: 1000 VDC/60s Contact to Contact, 1500 VDC/60s Contact to Metal Shell
 - Operating Temperature: -40° C to +85° C
- Material and Finish:
 - Receptacle Housing: Zinc Die-Cast, Finish: Nickel Plated
 - Panel Nut: Brass, Finish: Nickel Plated
 - Panel Gasket: Silicon, Color: White
 - Cat.6A RJ45 Jack Metal Shell: Copper Alloy, Nickel Plated
 - Cat.6A RJ45 Jack Plastic Housing: Glass filled PBT UL94 V-0, Color: Black
 - Cat.6A RJ45 Jack Contacts: Phosphor Bronze, Finish: 50u" Gold min. over Nickel
- Connector can be front or rear mounted to a maximum panel thickness of 3.2mm.
- IP67 rated when covered or fully mated with the appropriate mating connector
- RoHS compliant

Directive 2002/95/EC RoHS Compliant

THIS DRAWING MAY NOT BE COPIED, REPRODUCED, IN ANY WAY AND MAY NOT BE PASSED ON TO A THIRD PARTY WITHOUT WRITTEN PERMISSION. OWNERSHIP AND COPYRIGHT OF CONEC CORPORATION. DOT NOT ALTER CAD DRAWING BY HAND	Customer:			Tolerance Unless otherwise specified			Scale: NTS	Dim. in mm
	Name	Title	Approval Date	0 PLC ±0.50	1 PLC ±0.38		Autodesk Inventor	Material: See Notes
				2 PLC ±0.25	3 PLC ±0.10	Jack Receptacle Assembly Kit with Cat. 6A RJ45 Inline Coupler Nickel Plated Zinc Die-Cast Version		
				ANGLES ±3				
			2011	Date	Name			
			Draw.	Jun. 06	Vincent Ke			
			Appd.	Jun. 06	J. Chaudry			
				Norm				
				D-old				
	a	original						
	Rev.	Changes	Date	Name				
							Drawing No.: 17K1A262	DIN A3
							Part No.: 17-150174	Sheet 1/1