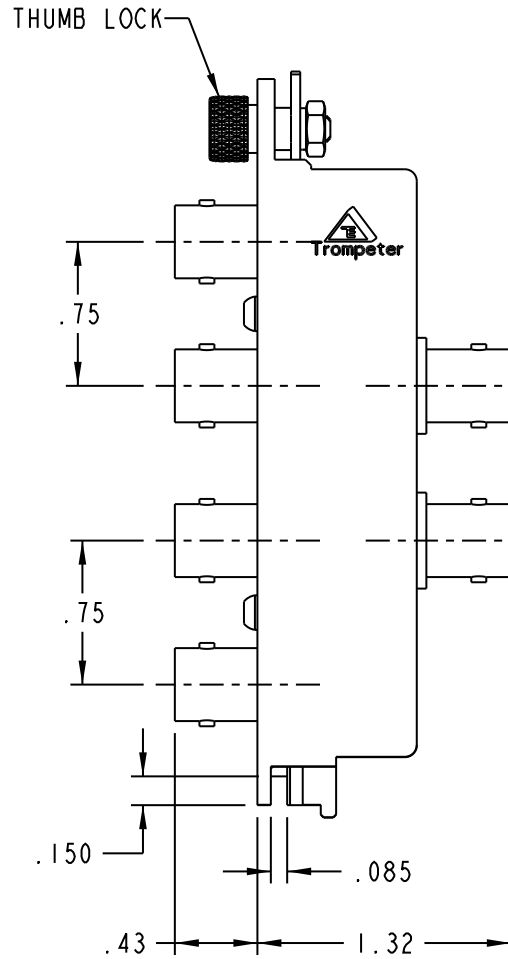
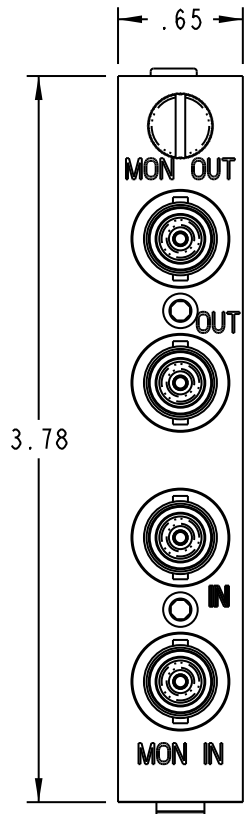


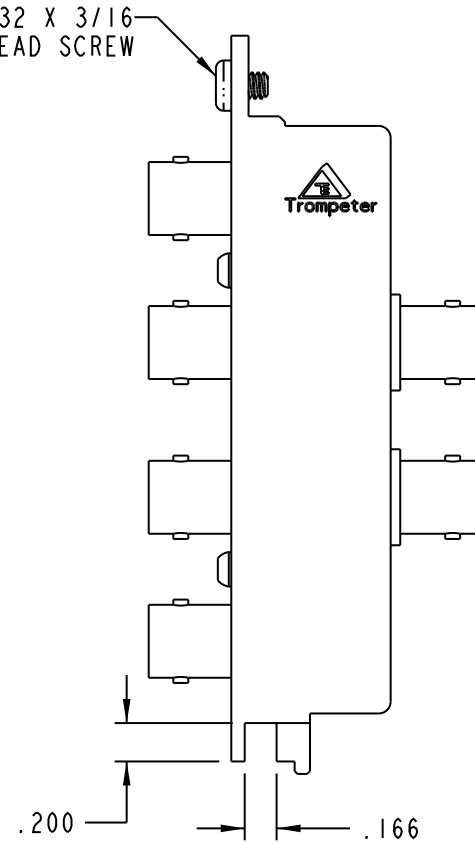
PART NUMBER	MODEL NUMBER	SCREW MOUNT
105-2032	DDPM-2	SCREW MOUNT
105-2032-1	DDPM-2, SPECIAL	THUMB LOCK MOUNT

DATA CONTAINED IN THIS DOCUMENT IS PROPRIETARY TO EMERSON CONNECTIVITY SOLUTIONS AND SHALL NOT BE DISCLOSED, COPIED OR USED FOR PROCUREMENT OR MANUFACTURE WITHOUT EXPRESS WRITTEN PERMISSION

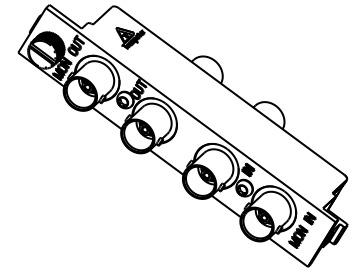
REVISIONS			
REV	DESCRIPTIONS	DATE	APPROVED
K	ECO 52557	8/24/10	T. KOHLER



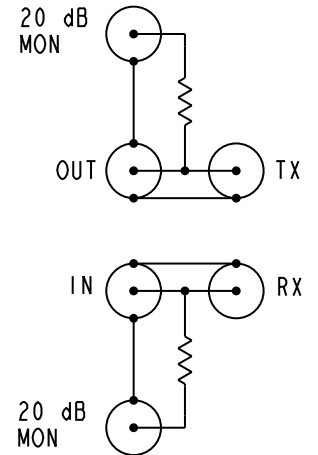
6-32 X 3/16 PAN HEAD SCREW



BASIC SHOWN




SCHEMATIC
DDPM-2



- 1 SHOWN

1. BNC STYLE 75Ω PANEL MOUNTED COAXIAL PARALLEL NETWORK WITH TWO 20dB MONITOR PORTS.

NOTES: UNLESS OTHERWISE SPECIFIED.

INTERPRET DRAWING PER MIL-STD-100. DIMENSIONS ARE IN INCHES AND INCLUDE FINISH THICKNESS UNLESS OTHERWISE SPECIFIED.		TOL: UNLESS SPECIFIED. .XX ± .02 .XXX ± .010 .XXXX ± .005 ANGLE ± 1° 00' CRITICAL		 Cinch Connectivity Solutions 299 Johnson Ave. Ste. 100 Waseca, MN 56093 1-800-247-8256	
DRN C. WALLACE	3/22/11	MATERIAL:		TITLE: MODULE ASSY, DDPM-2	
CHK N/A		FINISH:		SIZE A	CAGE CODE 14949
QUALITY BLANK LENGTH (REF. ONLY)				DRAWING NO. 105-2032	REV. K
MANUF N/A				DATE 1/23/01	SHEET 1 OF 2
APPROVED					
PROJ FILE NO. 105-2032	DO NOT SCALE DWG	SCALE 1/1			