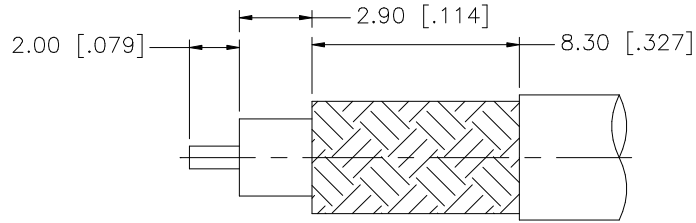
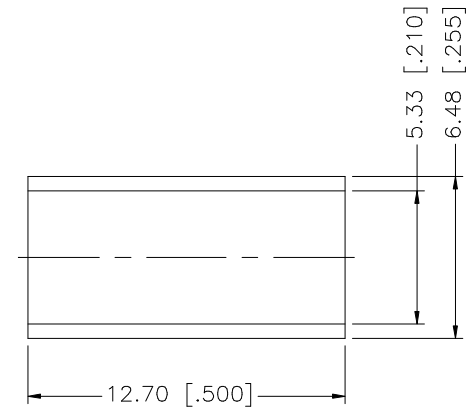
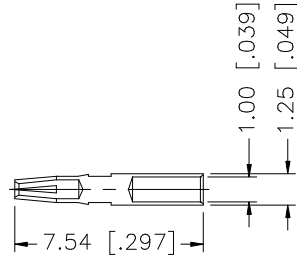
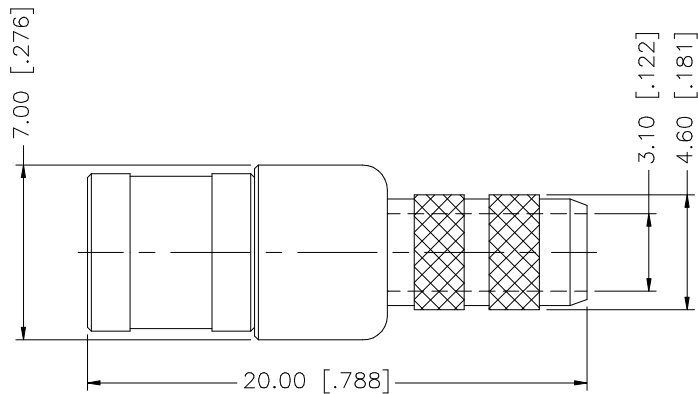


REV.	DATE	DESCRIPTION
NC	11/08/99	INITIAL RELEASE
A	10/01/06	UPDATE DRAWING FORMAT



RECOMMENDED
CABLE STRIPPING DIM'S



NOTE:

1. CRIMPED FERRULE HEX CRIMP SIZE .213"

				UNLESS OTHERWISE SPECIFIED DIMENSIONS ARE IN MILLIMETERS, DIMENSIONS IN [] ARE IN INCHES AND FOR CUSTOMER REFERENCE ONLY.	APPROVALS	DATE	Amphenol Connex				
8					DRAWN	G.R.S.					10/01/06
7					CHECKED			PART NO. 142255			
6					ISSUED						
5					SHEET	1 OF 1		REV. A			
4	FERRULE	COPPER	GOLD	1	UNLESS OTHERWISE SPECIFIED TOLERANCES FOR MILLIMETERS ARE: 0.5 - 8mm ± 0.20mm 8 - 30mm ± 0.40mm 30 - 120mm ± 0.50mm						
3	CONTACT PIN	BER. COPPER	GOLD	1	UNLESS OTHERWISE SPECIFIED TOLERANCES FOR INCHES ARE: .020 - .315 ± 0.007" .315 - 1.180 ± 0.015" 1.180 - 4.724 ± 0.020"			SCALE NA			
2	INSULATOR	TEFLON	NATURAL	1	DO NOT SCALE DRAWING						
1	BODY	BRASS	GOLD	1							
DESCRIPTION				MATERIAL	FINISH	QTY					