

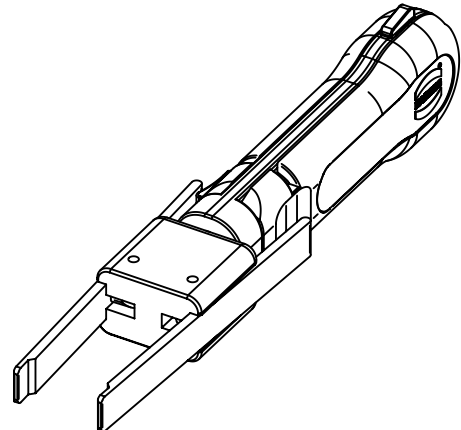
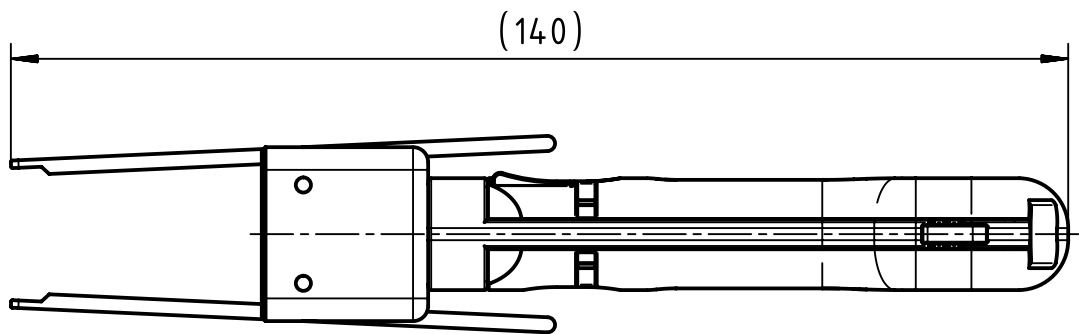
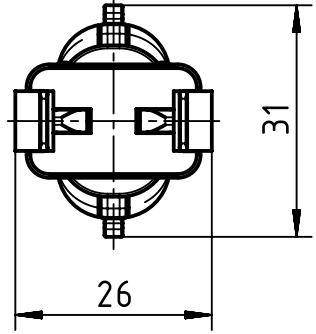
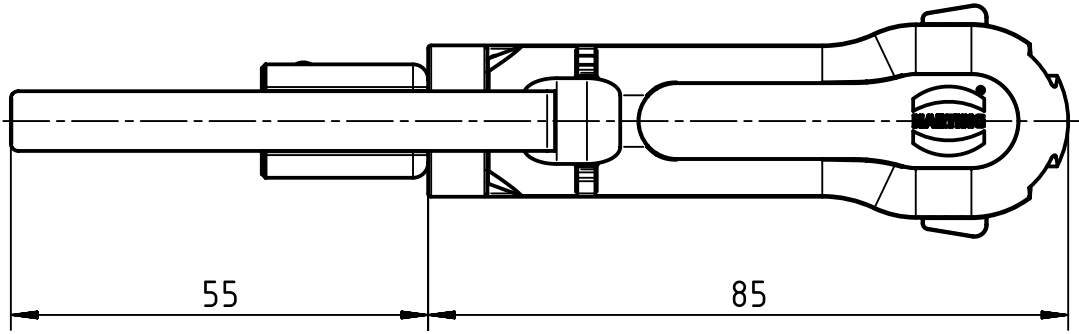
1 2 3 4 5 6


A

B

C

D



	All rights reserved Department EL PD - DE HARTING Electric GmbH & Co. KG D-32339 Espelkamp	All Dimensions in mm Original Size DIN A4	Scale 1:1	Free size tol.		Ref.
		Created by RULLKOETTER	Inspected by SCHNIEDER	Standardisation TIEMANNA	Date 2014-12-08	State Final Release
Title Removal Tool Han 200A Crimpcontacts						Doc-Key / ECM-Nr. 100223931/UGD/002/B 500000082704
Type TB		Number 09 99 000 0820			Rev. B	Page 1/1