

**821B YYY - 2 1 3 R 00 1**

SERIES 12.00 [0.475]

# OF POSITIONS (Ex. 002)  
\*\*SEE CHART A\*\*

2 = FEMALE

VERTICAL (PANEL MOUNT)

1 = GOLD FLASH

RoHS COMPLIANT

NICKEL/CHROME PLATED SHELL

**CHARACTERISTICS**

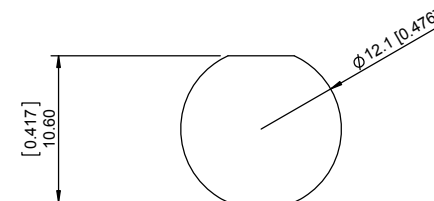
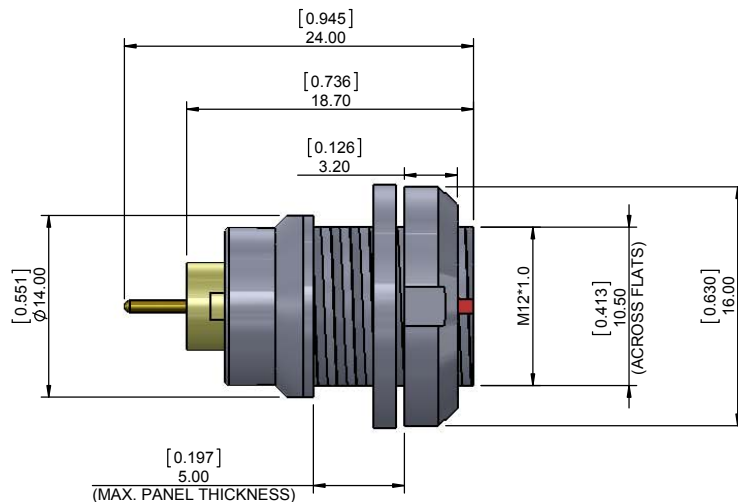
**MATERIALS**

SHELL : BRASS  
SHELL PLATING : NICKEL  
NUT : BRASS  
NUT PLATING : NICKEL  
LATCH SLEEVE : BRASS  
LATCH SLEEVE PLATING : NICKEL  
CONTACTS : COPPER ALLOY  
CONTACT PLATING : 7µ" GOLD PLATED OVER 196µ" NICKEL MIN.  
INSULATOR : PPS (HIGH TEMPERATURE)

**MECHANICAL**

DURABILITY: 5000 CYCLES  
OPERATING TEMP. RANGE: -40° C ~ +200° C  
PROCESS TEMPERATURE : 260° C FOR 5 SECONDS  
MAX. TORQUE VALUE : 4.5 Nm [39 IN/lbs]  
SHIELDING: 75dB @ 10MHz  
40dB @ 1GHz

IP RATING: 50



**PANEL CUTOUT**

TOLERANCE = +0.10, -0.0  
[+0.004, -0.00]

**\*\*NOTE\*\***

**SEE PAGE 2 FOR BOARD LAYOUTS**

**CHART A**

● = KEY LOCATION

\*\*VIEW FROM TERMINATION END\*\*

2 POSITION 15 AMP MAX. PIN Ø = 1.30 [0.051]	3 POSITION 12 AMP MAX. PIN Ø = 1.30 [0.051]	4 POSITION 10 AMP MAX. PIN Ø = 0.90 [0.035]	5 POSITION 9 AMP MAX. PIN Ø = 0.90 [0.035]	6 POSITION 7 AMP MAX. PIN Ø = 0.70 [0.028]	7 POSITION 7 AMP MAX. PIN Ø = 0.70 [0.028]	8 POSITION 5 AMP MAX. PIN Ø = 0.70 [0.028]	10 POSITION 2.5 AMP MAX. PIN Ø = 0.50 [0.020]	14 POSITION 2 AMP MAX. PIN Ø = 0.50 [0.020]
CONTACT RESISTANCE = 5 mΩ TEST VOLTAGE = 1500V WORKING VOLTAGE = 500V	CONTACT RESISTANCE = 5 mΩ TEST VOLTAGE = 1300V WORKING VOLTAGE = 430V	CONTACT RESISTANCE = 6 mΩ TEST VOLTAGE = 1300V WORKING VOLTAGE = 430V	CONTACT RESISTANCE = 6 mΩ TEST VOLTAGE = 1250V WORKING VOLTAGE = 415V	CONTACT RESISTANCE = 7.5 mΩ TEST VOLTAGE = 1050V WORKING VOLTAGE = 350V	CONTACT RESISTANCE = 7.5 mΩ TEST VOLTAGE = 950V WORKING VOLTAGE = 315V	CONTACT RESISTANCE = 7.5 mΩ TEST VOLTAGE = 950V WORKING VOLTAGE = 315V	CONTACT RESISTANCE = 10 mΩ TEST VOLTAGE = 900V WORKING VOLTAGE = 300V	CONTACT RESISTANCE = 10 mΩ TEST VOLTAGE = 800V WORKING VOLTAGE = 260V

**RoHS COMPLIANT**



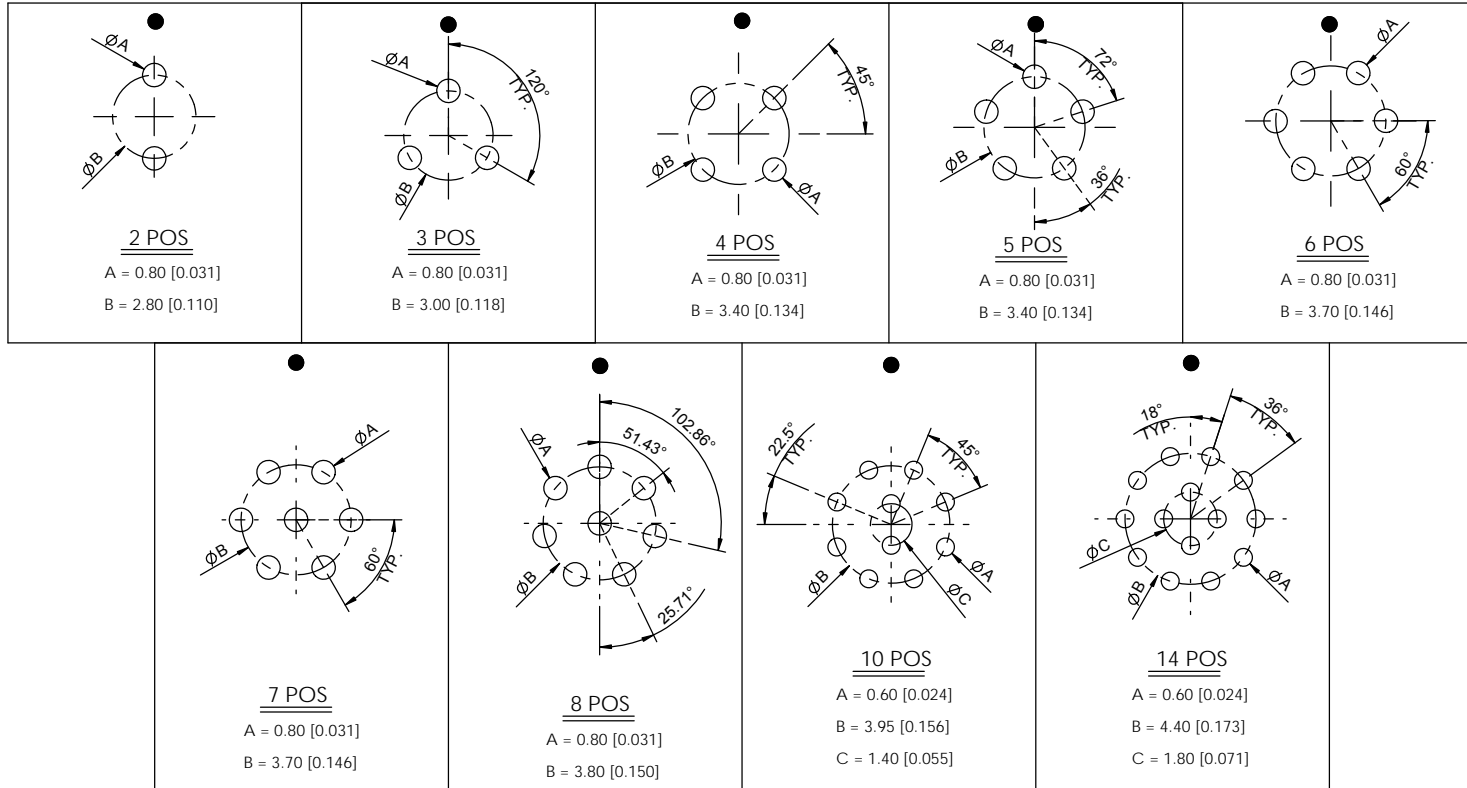
THESE DRAWINGS AND SPECIFICATIONS ARE THE PROPERTY OF NorComp AND SHALL NOT BE REPRODUCED, COPIED OR USED AS THE BASIS FOR THE MANUFACTURE OR SALE OF APPARATUS WITHOUT WRITTEN PERMISSION.

**NorComp**

DRAWN: <b>M. SIGMON</b>	DATE: <b>02-10-16</b>	SCALE: <b>N.T.S.</b>	SHEET <b>1</b>	OF <b>2</b>	REV: <b>1</b>
CHECKED:	DATE:		DWG NO. <b>821BYYY-213R001</b>		

# BOARD LAYOUTS

● = KEY LOCATION



RoHS COMPLIANT



THESE DRAWINGS AND SPECIFICATIONS ARE THE PROPERTY OF NorComp AND SHALL NOT BE REPRODUCED, COPIED OR USED AS THE BASIS FOR THE MANUFACTURE OR SALE OF APPARATUS WITHOUT WRITTEN PERMISSION.

# NorComp

DRAWN:  
M. SIGMON

DATE:  
02-10-16

SCALE:  
N.T.S.

SHEET OF  
2 2

REV:  
1

CHECKED:

DATE:

DWG NO.  
821BYYY-213R001