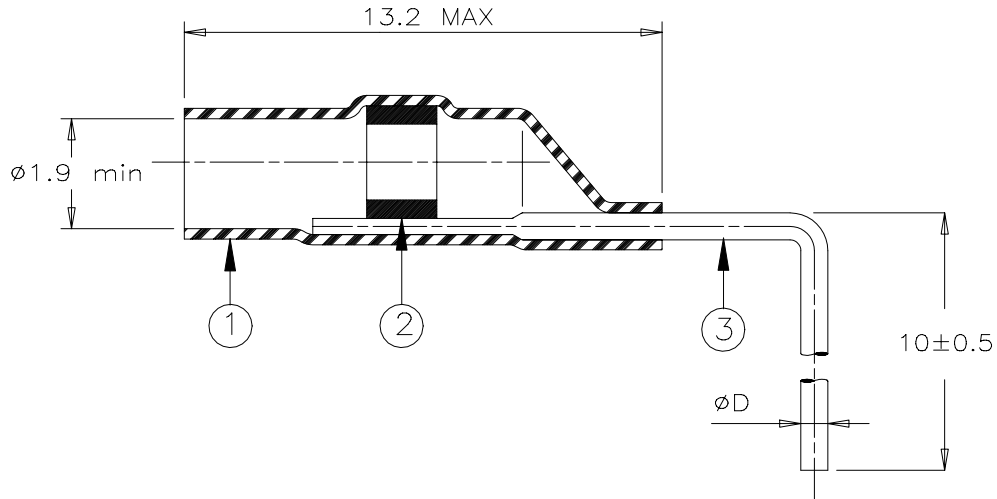


SPECIFICATION CONTROL DRAWING



| Product Revision | | | ϕD | ϕX |
|------------------|---|--|----------|----------|
| Product Name | | | | |
| B-801-06 | G | | 0.68 | 0.8 |
| B-801-08 | F | | 0.88 | 1 |

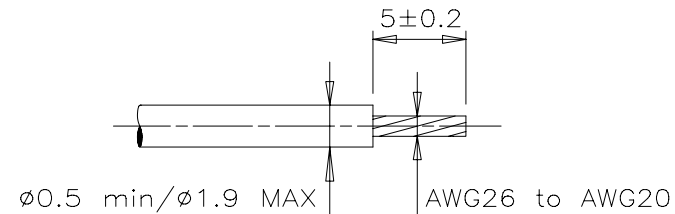
MATERIALS

- INSULATION SLEEVE: Heat-shrinkable, transparent blue, radiation cross-linked modified polyvinylidene fluoride.
- SOLDER PREFORM WITH FLUX:
 SOLDER: TYPE Sn63 per ANSI-J-STD-006.
 FLUX: TYPE ROL1 per ANSI-J-STD-004.
- PIN: Phosphor bronze coated with Sn60 Pb40 solder alloy.

APPLICATION

- These controlled soldering devices are designed for termination of a tin or silver plated stranded AWG26, AWG24 and AWG22 conductor having an insulation rated for at least +125°C on a PC board with ϕX diameter hole. If AWG20 wire is used, pre-tinning is recommended.
- Temperature range: -55°C to +150°C. For application tooling, contact your local Raychem technical service.

For best results, prepare the wire as shown:



* A trademark of Raychem Corporation.

| | | | | | | |
|---|--|--|---|-------------------------------|----------------------|------------------|
| Raychem | THERMOFIT DEVICES | Raychem Corporation 300 Constitution Drive Menlo Park, CA 94025 USA | TITLE: PINPAK* DEVICE FOR PCB TERMINATION | | | |
| | UNLESS OTHERWISE SPECIFIED DIMENSIONS ARE IN MILLIMETERS. INCHES DIMENSIONS ARE BETWEEN BRACKETS. | | | DOCUMENT NO.: B-801-0X | | |
| TOLERANCES: 0.00 N/A 0.0 N/A 0 N/A | ANGLES: N/A ROUGHNESS IN MICRON | Raychem reserves the right to amend this drawing at any time. Users should evaluate the suitability of the product for their application. | DCR NUMBER: D990184 | | REPLACES: D980896 | |
| DRAWN BY: M. FORONDA | DATE: 03/22/99 | PROD. REV. SEE TABLE | DOC ISSUE: 2 | SCALE: None | SIZE: A | SHEET: 1 of 1 |

If this document is printed it becomes uncontrolled. Check for the latest revision.