



**dsPICDEM™ MCSM
Development Board
User's Guide**

Note the following details of the code protection feature on Microchip devices:

- Microchip products meet the specification contained in their particular Microchip Data Sheet.
- Microchip believes that its family of products is one of the most secure families of its kind on the market today, when used in the intended manner and under normal conditions.
- There are dishonest and possibly illegal methods used to breach the code protection feature. All of these methods, to our knowledge, require using the Microchip products in a manner outside the operating specifications contained in Microchip's Data Sheets. Most likely, the person doing so is engaged in theft of intellectual property.
- Microchip is willing to work with the customer who is concerned about the integrity of their code.
- Neither Microchip nor any other semiconductor manufacturer can guarantee the security of their code. Code protection does not mean that we are guaranteeing the product as "unbreakable."

Code protection is constantly evolving. We at Microchip are committed to continuously improving the code protection features of our products. Attempts to break Microchip's code protection feature may be a violation of the Digital Millennium Copyright Act. If such acts allow unauthorized access to your software or other copyrighted work, you may have a right to sue for relief under that Act.

Information contained in this publication regarding device applications and the like is provided only for your convenience and may be superseded by updates. It is your responsibility to ensure that your application meets with your specifications. MICROCHIP MAKES NO REPRESENTATIONS OR WARRANTIES OF ANY KIND WHETHER EXPRESS OR IMPLIED, WRITTEN OR ORAL, STATUTORY OR OTHERWISE, RELATED TO THE INFORMATION, INCLUDING BUT NOT LIMITED TO ITS CONDITION, QUALITY, PERFORMANCE, MERCHANTABILITY OR FITNESS FOR PURPOSE. Microchip disclaims all liability arising from this information and its use. Use of Microchip devices in life support and/or safety applications is entirely at the buyer's risk, and the buyer agrees to defend, indemnify and hold harmless Microchip from any and all damages, claims, suits, or expenses resulting from such use. No licenses are conveyed, implicitly or otherwise, under any Microchip intellectual property rights.

Trademarks

The Microchip name and logo, the Microchip logo, dsPIC, KEELOQ, KEELOQ logo, MPLAB, PIC, PICmicro, PICSTART, rPIC and UNI/O are registered trademarks of Microchip Technology Incorporated in the U.S.A. and other countries.


FilterLab, Hampshire, HI-TECH C, Linear Active Thermistor, MXDEV, MXLAB, SEEVAL and The Embedded Control Solutions Company are registered trademarks of Microchip Technology Incorporated in the U.S.A.

Analog-for-the-Digital Age, Application Maestro, CodeGuard, dsPICDEM, dsPICDEM.net, dsPICworks, dsSPEAK, ECAN, ECONOMONITOR, FanSense, HI-TIDE, In-Circuit Serial Programming, ICSP, Mindi, MiWi, MPASM, MPLAB Certified logo, MPLIB, MPLINK, mTouch, Octopus, Omniscient Code Generation, PICC, PICC-18, PICDEM, PICDEM.net, PICKit, PICTail, PIC³² logo, REAL ICE, rLAB, Select Mode, Total Endurance, TSHARC, UniWinDriver, WiperLock and ZENA are trademarks of Microchip Technology Incorporated in the U.S.A. and other countries.

SQTP is a service mark of Microchip Technology Incorporated in the U.S.A.

All other trademarks mentioned herein are property of their respective companies.

© 2009, Microchip Technology Incorporated, Printed in the U.S.A., All Rights Reserved.

 Printed on recycled paper.

**QUALITY MANAGEMENT SYSTEM
CERTIFIED BY DNV
== ISO/TS 16949:2002 ==**

Microchip received ISO/TS-16949:2002 certification for its worldwide headquarters, design and wafer fabrication facilities in Chandler and Tempe, Arizona; Gresham, Oregon and design centers in California and India. The Company's quality system processes and procedures are for its PIC[®] MCUs and dsPIC[®] DSCs, KEELOQ[®] code hopping devices, Serial EEPROMs, microperipherals, nonvolatile memory and analog products. In addition, Microchip's quality system for the design and manufacture of development systems is ISO 9001:2000 certified.



dsPICDEM™ MCSM DEVELOPMENT BOARD USER'S GUIDE

Table of Contents

Chapter 1. Introduction

1.1 Overview	11
1.2 Features	13
1.3 What's Included	13
1.4 Reference Documents and Webinars	14

Chapter 2. Getting Started

2.1 Board Setup	15
2.2 Programming and Debugging Application Code	16

Chapter 3. Hardware

3.1 Hardware Architecture	17
3.2 PIM Configuration	20
3.3 Board Connectors	24
3.4 User Interface Hardware	27

Chapter 4. Troubleshooting

4.1 Common Problems	29
---------------------------	----

Appendix A. Board Layout and Schematics

Appendix B. Electrical Specifications

dsPICDEM™ MCSM Development Board User's Guide

NOTES:



dsPICDEM™ MCSM DEVELOPMENT BOARD USER'S GUIDE

Preface

NOTICE TO CUSTOMERS

All documentation becomes dated, and this manual is no exception. Microchip tools and documentation are constantly evolving to meet customer needs, so some actual dialogs and/or tool descriptions may differ from those in this document. Please refer to our web site (www.microchip.com) to obtain the latest documentation available.

Documents are identified with a “DS” number. This number is located on the bottom of each page, in front of the page number. The numbering convention for the DS number is “DSXXXXA”, where “XXXX” is the document number and “A” is the revision level of the document.

For the most up-to-date information on development tools, see the MPLAB® IDE on-line help. Select the Help menu, and then Topics to open a list of available on-line help files.

INTRODUCTION

This preface contains general information that will be useful to know before using the dsPICDEM™ Motor Control Stepper Motor (MCSM) Development Board. Topics discussed in this preface include:

- Document Layout
- Conventions Used in this Guide
- Warranty Registration
- Recommended Reading
- The Microchip Web Site
- Development Systems Customer Change Notification Service
- Customer Support
- Document Revision History

DOCUMENT LAYOUT

This user's guide describes how to use the dsPICDEM MCSM Development Board. The document is organized as follows:

- **Chapter 1. “Introduction”** – This chapter introduces the dsPICDEM MCSM Development Board and provides a brief overview of its features.
- **Chapter 2. “Getting Started”** – This chapter provides information on getting started with the dsPICDEM MCSM Development Board.
- **Chapter 3. “Hardware”** – This chapter describes the hardware on the dsPICDEM MCSM Development Board.
- **Chapter 4. “Troubleshooting”** – This chapter provides information for troubleshooting problems encountered while using the dsPICDEM MCSM Development Board.

dsPICDEM™ MCSM Development Board User's Guide

- **Appendix A. “Board Layout and Schematics”** – This appendix provides diagrams of the hardware layout, as well as schematic diagrams for the dsPICDEM MCSM Development Board.
- **Appendix B. “Electrical Specifications”** – This appendix provides pertinent electrical specifications for the dsPICDEM MCSM Development Board.

CONVENTIONS USED IN THIS GUIDE

This manual uses the following documentation conventions:

DOCUMENTATION CONVENTIONS

Description	Represents	Examples
Arial font:		
Italic characters	Referenced books	<i>MPLAB[®] IDE User's Guide</i>
	Emphasized text	...is the <i>only</i> compiler...
Initial caps	A window	the Output window
	A dialog	the Settings dialog
	A menu selection	select Enable Programmer
Quotes	A field name in a window or dialog	"Save project before build"
Underlined, italic text with right angle bracket	A menu path	<u><i>File>Save</i></u>
Bold characters	A dialog button	Click OK
	A tab	Click the Power tab
N'Rnnnn	A number in verilog format, where N is the total number of digits, R is the radix and n is a digit.	4'b0010, 2'hF1
Text in angle brackets < >	A key on the keyboard	Press <Enter>, <F1>
Courier New font:		
Plain Courier New	Sample source code	#define START
	Filenames	autoexec.bat
	File paths	c:\mcc18\h
	Keywords	_asm, _endasm, static
	Command-line options	-Opa+, -Opa-
	Bit values	0, 1
	Constants	0xFF, 'A'
Italic Courier New	A variable argument	<i>file.o</i> , where <i>file</i> can be any valid filename
Square brackets []	Optional arguments	mcc18 [options] <i>file</i> [options]
Curly braces and pipe character: { }	Choice of mutually exclusive arguments; an OR selection	errorlevel {0 1}
Ellipses...	Replaces repeated text	var_name [, var_name...]
	Represents code supplied by user	void main (void) { ... }

WARRANTY REGISTRATION

Please complete the enclosed Warranty Registration Card and mail it promptly. Sending in the Warranty Registration Card entitles users to receive new product updates. Interim software releases are available at the Microchip web site.

RECOMMENDED READING

This user's guide describes how to use the dsPICDEM MCSM Development Board. The device-specific data sheets contain current information on programming the specific microcontroller or digital signal controller devices. Other useful documents are listed below. The following Microchip documents are available and recommended as supplemental reference resources:

MPLAB® IDE Simulator, Editor User's Guide (DS51025)

This user's guide is a comprehensive guide that describes installation and features of Microchip's MPLAB Integrated Development Environment (IDE), as well as the editor and simulator functions in the MPLAB IDE environment.

Readme Files

For the latest information on using other tools, read the tool-specific Readme files in the Readme subdirectory of the MPLAB IDE installation directory. The Readme files contain updated information and known issues that may not be included in this user's guide.

MPASM™ Assembler, MPLINK™ Object Linker, MPLIB™ Object Librarian User's Guide (DS33014)

This user's guide describes how to use the Microchip MPASM Assembler, the MPLINK Object Linker and the MPLIB Object Librarian.

dsPIC33FJ12MC202 PIM Information Sheet (DS70314)

This document provides device-specific information for the dsPIC33FJ12MC202 PIM device. The dsPIC33FJ12MC202 is a high-performance 16-bit digital signal controller within a small 28-pin 6x6 mm QFN package.

dsPIC33FJ32MC204 PIM Information Sheet (DS70316)

This document provides device specific information for the dsPIC33FJ32MC204 PIM device. The dsPIC33FJ32MC204 is a high-performance 16-bit digital signal controller within a small 44-pin QFN package.

dsPIC33FJ128MC804 PIM Information Sheet (DS70326)

This document provides device specific information for the dsPIC33FJ128MC804 PIM device. The dsPIC33FJ128MC804 is a high-performance 16-bit digital signal controller within a small 44-pin QFN package.

dsPIC33FJ256MC710 PIM Information Sheet (DS70564)

This document provides device specific information for the dsPIC33FJ256MC710 PIM device. The dsPIC33FJ256MC710 is a high-performance 16-bit digital signal controller within a small 100-pin TQFP package.

dsPIC33FJ12MC201/202 Data Sheet (DS70265)

This data sheet contains device specific information for the dsPIC33FJ12MC201/202 Digital Signal Controller (DSC) devices. The dsPIC33F devices contain extensive Digital Signal Processor (DSP) functionality with a high performance 16-bit microcontroller (MCU) architecture.

dsPIC33FJ32MC202/204 and dsPIC33FJ16MC304 Data Sheet (DS70283)

This data sheet provides device specific information for the dsPIC33FJ32MC202/204 and dsPIC33FJ16MC304 motor control family of devices.

dsPIC33FJ32MC302/304, dsPIC33FJ64MCX02/X04, and dsPIC33FJ128MCX02/X04 Data Sheet (DS70291)

This data sheet contains device specific information for the dsPIC33FJ32MC302/304, dsPIC33FJ64MCX02/ X04 and dsPIC33FJ128MCX02/X04 motor control family of devices.

dsPIC33FJXXXMCX06/X08/X10 Data Sheet (DS70287)

This data sheet contains device specific information for the dsPIC33FJXXXMCX06/ X08/X10 motor control family of devices.

To download these documents, visit Microchip web site at www.microchip.com.

THE MICROCHIP WEB SITE

Microchip provides online support via our web site at www.microchip.com. This web site is used as a means to make files and information easily available to customers. The web site contains the following information:

- **Product Support** – Data sheets and errata, application notes and sample programs, design resources, user's guides and hardware support documents, latest software releases and archived software
- **General Technical Support** – Frequently Asked Questions (FAQs), technical support requests, online discussion groups, Microchip consultant program member listing
- **Business of Microchip** – Product selector and ordering guides, latest Microchip press releases, listing of seminars and events, listings of Microchip sales offices, distributors and factory representatives

DEVELOPMENT SYSTEMS CUSTOMER CHANGE NOTIFICATION SERVICE

Microchip's customer notification service helps keep customers current on Microchip products. Subscribers will receive e-mail notification whenever there are changes, updates, revisions or errata related to a specified product family or development tool of interest.

To register, access the Microchip web site at www.microchip.com, click on Customer Change Notification and follow the registration instructions.

The Development Systems product group categories are:

- **Compilers** – The latest information on Microchip C compilers and other language tools. These include the MPLAB[®] C18 and MPLAB C30 C compilers; MPASM[™] and MPLAB ASM30 assemblers; MPLINK[™] and MPLAB LINK30 object linkers; and MPLIB[™] and MPLAB LIB30 object librarians.
- **Emulators** – The latest information on Microchip in-circuit emulators. This includes the MPLAB ICE 2000, MPLAB ICE 4000, and MPLAB REAL ICE[™].
- **In-Circuit Debuggers** – The latest information on the Microchip in-circuit debugger, MPLAB ICD 2.
- **MPLAB[®] IDE** – The latest information on Microchip MPLAB IDE, the Windows[®] Integrated Development Environment for development systems tools. This list is focused on the MPLAB IDE, MPLAB SIM simulator, MPLAB IDE Project Manager and general editing and debugging features.
- **Programmers** – The latest information on Microchip programmers. These include the MPLAB PM3 and PRO MATE[®] II device programmers and the PICSTART[®] Plus and PICKit[™] 1 development programmers.

CUSTOMER SUPPORT

Users of Microchip products can receive assistance through several channels:

- Distributor or Representative
- Local Sales Office
- Field Application Engineer (FAE)
- Technical Support
- Development Systems Information Line

Customers should contact their distributor, representative or field application engineer (FAE) for support. Local sales offices are also available to help customers. A listing of sales offices and locations is included in the back of this document.

Technical support is available through the web site at: <http://support.microchip.com>

DOCUMENT REVISION HISTORY

Revision A (September 2009)

This is the initial released revision of this document.

Chapter 1. Introduction

The dsPICDEM MCSM Development Board is targeted to control both unipolar and bipolar stepper motors with no hardware configuration changes. This flexible and cost-effective board can be configured in different ways for use with Microchip's specialized dsPIC33F Motor Control Digital Signal Controllers (DSCs).

The dsPICDEM MCSM Development Board offers a mounting option to connect either a 28-pin SOIC device or a generic 100-pin Plug-In Module (PIM). The board also has two full-bridge inverters. The hardware is designed in such a way that no hardware changes are necessary for 8-, 6- or 4-wire stepper motors in either bipolar or unipolar configurations. Topics covered include:

- Overview
- Features
- What's Included
- Reference Documents and Webinars

1.1 OVERVIEW

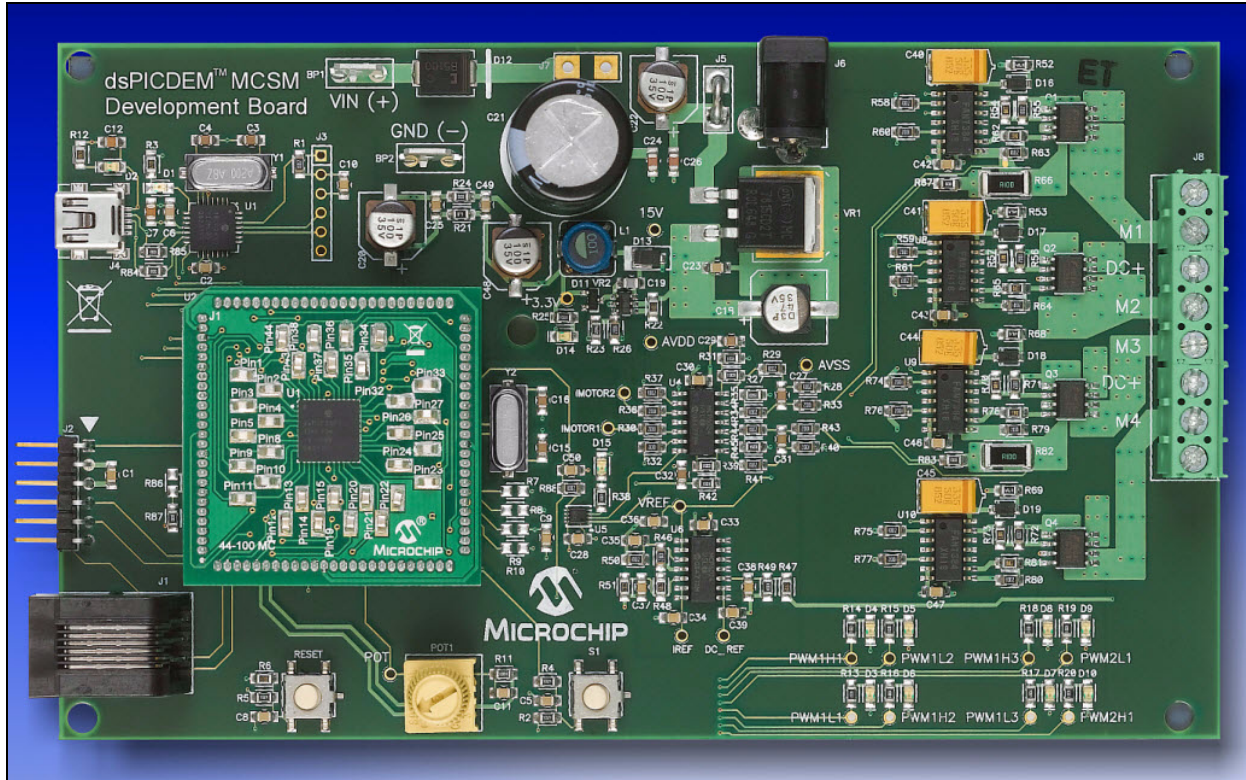
Figure 1-1 shows a photograph of the dsPICDEM MCSM Development Board. A dsPIC33F device uses the MOSFET driver to drive the two full-bridge inverters that power the motor windings. The board includes various circuitries to perform the following functions:

- Drive two motor windings with the two on-board full-bridge inverters
- Measure feedback and other analog signals (i.e., current, DC voltage, Potentiometer and Fault signals)
- Communicate with a host computer or an external device via USB

The dsPICDEM MCSM Development Board supports terminal voltages up to 80V and currents up to 3A. Refer to **Appendix B. "Electrical Specifications"** for more information.

dsPICDEM™ MCSM Development Board User's Guide

FIGURE 1-1: dsPICDEM MCSM DEVELOPMENT BOARD



1.2 FEATURES

The key features of this board include the following:

- Devices supported:
 - 28-pin to 100-pin dsPIC33FJ12MC202 PIM (MA330014) with a dsPIC33F
 - 44-pin to 100-pin dsPIC33FJ32MC204 PIM (MA330017) and dsPIC33FJ128MC804 PIM (MA330018) with a dsPIC33F motor control device (U2) socket
 - 100-pin to 100-pin dsPIC33FJ256MC710 PIM (MA330013) with a dsPIC33F
- Motor control device (U2) socket
 - The dsPIC33FJ12MC202 Motor Control device in SOIC package (U3) footprint
- Motor control interfaces:
 - Two full-bridge inverters
 - Two phase current sense resistors
 - DC bus voltage sense resistor
 - Overcurrent protection
- Input/output control switches:
 - One push button (S1)
 - Reset push button (RESET)
 - 10 k Ω potentiometer (POT)
 - LED indicators for PWM outputs arranged in a full-bridge format
 - LED indicator for overcurrent
- Communication Ports:
 - UART communication via USB (J4)
- Built-in power supplies
 - 15V power supply, maximum power available 11 W
 - 3.3V power supply, maximum power available 2 W
- Power supply connectors:
 - 24V power input connector (J6) for the controller and power stage
 - Auxiliary Power Tab Fast-On connectors (BP1 and BP2) for the power stage
- Programming Connectors:
 - ICSP™ connector for programming a dsPIC DSC device (J2)
 - RJ11 connector for programming a dsPIC DSC device (J1)
 - ICSP connector for programming the PIC18LF2450 USB-to-UART Bridge (J3)

1.3 WHAT'S INCLUDED

Note: The MCSM Development Board is available in two configurations:

- dsPICDEM MCSM Development Board
- dsPICDEM MCSM Development Board Kit

The dsPICDEM MCSM Development Board with the part number DM330022 contains the following:

- dsPICDEM MCSM Development Board
- dsPIC33FJ32MC204 Plug-In-Module
- USB-to-mini-USB cable
- Screwdriver
- dsPICDEM MCSM Development Board CD ROM, which includes:
 - This user's guide
 - Data sheets for dsPIC families
 - Example programs for use with the dsPIC DSC devices

The dsPICDEM MCSM Development Board Kit with part number DV330021 contains the following:

- dsPICDEM MCSM Development Board
- dsPIC33FJ32MC204 Plug-In-Module (PIM)
- USB-to-mini-USB cable
- Screwdriver
- dsPICDEM MCSM Development Board CD ROM, which includes:
 - This user's guide
 - Data sheets for dsPIC DSC families
 - Example programs for use with the dsPIC DSC devices
- 24V Power Supply
- Leadshine Stepping Motor (P/N 42HS03)
- use the following link:
 - <http://www.leadshine.com>

If you are missing any part of the kit, please contact your nearest Microchip sales office, which is listed on the last page of this manual.

1.4 REFERENCE DOCUMENTS AND WEBINARS

In addition to the documents listed in the "Recommended Reading" section, the following are also available from Microchip to support the use of the dsPICDEM MCSM Development Board.

- AN907 "*Stepping Motors Fundamentals*"
- AN906 "*Stepper Motor Control Using the PIC16F684*"
- AN822 "*Motor Microstepping with PIC18C452*"
- Stepper motor webinars are available at:
 - <http://techtrain.microchip.com/webseminars/Archived.aspx>
 - Stepper Motors Part 1: Types of Stepper Motors
 - Stepper Motors Part 2: Stepper Motor Control

You can obtain these reference documents from your nearest Microchip sales office (listed in the last page of this document) or by downloading them from the Microchip web site.

Chapter 2. Getting Started

This chapter describes how to set up the dsPICDEM MCSM Development Board hardware and software; and how to run the included demonstration software. Refer to **Chapter 3. “Hardware”** for detailed information on the board and its components.

Topics in this chapter include:

- Board Setup
- Programming and Debugging Application Code

2.1 BOARD SETUP

WARNING

The dsPICDEM MCSM Development Board is intended to drive bipolar or unipolar stepper motors. Before connecting the motor, make sure that the power rating of the motor is equal to or less than the power rating of the board, as shown in Appendix B. “Electrical Specifications”. Also, make sure the configuration resistors are correct for the firmware and the specific dsPIC DSC device mounted on the socket. Failure to comply with this warning could lead to malfunction of the board and the motor, and could result in physical harm.

Before beginning the start-up procedure, complete a visual check of the board and the motor for connectivity and mechanical damage. If damage is found, DO NOT power-up the board. Otherwise, you may further damage the equipment. Contact Microchip’s local office or distributor immediately.

The following procedure describes how to set up the dsPICDEM MCSM Development Board to run with the demonstration software. The stepper motor used for the demonstration is the Leadshine Stepping Motor (P/N 42HS03).

1. Place the dsPICDEM MCSM Development Board on a sturdy insulated platform.
2. Make sure that the dsPIC33FJ32MC204 device or an appropriate PIM is mounted in the respective socket.
3. Connect the stepper motor (42HS03) to J8. Connect the motor phases in a bipolar series connection as described in Table 2-1.

TABLE 2-1: MOTOR CONFIGURATION TABLE

J8 Pin Number J8 Pin Name	Bipolar Series	Bipolar Parallel	Bipolar Half-winding	Unipolar	
1	NC	Green+Yellow	—	Yellow	—
2	M1	Black	Black+Yellow	Black	Black
3	DC+	—	—	Orange	Green+Yellow
4	M2	Orange	Green+Orange	Green	Orange
5	M3	Red	Red+White	Red	Red
6	DC+	—	—	White	Blue+White
7	M4	Brown	Blue+Brown	Blue	Brown
8	NC	Blue+White	—	Brown	—

4. Connect the 24V power supply to J6.
5. Press S1 to run the motor.
6. Vary the motor's speed with the potentiometer.
7. Press S1 to switch to full-step wave mode, full-step, half-step and various microstepping modes. Pushing S1 after the 256th microstep step setting stops the motor. Press S1 again to repeat the cycle.

Operating the dsPICDEM MCSM Development Board using the on-board POT and switch button cannot offer the flexibility required in most applications and it is only intended as a quick start demonstration. To have more control over the motor using a real-time communication tool, please refer to the next section.

2.2 PROGRAMMING AND DEBUGGING APPLICATION CODE

The following procedure describes how to program the dsPICDEM MCSM Development Board in Debug mode:

1. Place the dsPICDEM MCSM Development Board on a sturdy insulated platform.
2. Make sure that the dsPIC33FJ32MC204 device or an appropriate PIM is mounted in the respective socket.
3. Connect the stepper motor (42HS03) to J8. Connect motor phases in a bipolar series connection as described in Table 2-1.
4. Connect the 24V power supply to J6.
5. Connect PICKit™ 3 In-Circuit Debugger/Programmer, MPLAB® ICD 3 or MPLAB REAL ICE™ In-Circuit Emulator to the computer and to the board at J1 or J2.
6. Connect the USB cable to J4 and to the computer.
7. Download the code for the dsPIC33FJ32MC204 from the Microchip web site .
8. Build the project and download the program into the processor.
9. Click the **Run** icon when in Debug mode.

Note: For more information on running stepper motors, refer to **Section 1.4 “Reference Documents and Webinars”**.

Chapter 3. Hardware

This chapter describes the hardware used in the dsPICDEM MCSM Development Board. Topics covered include:

- Hardware Architecture
- PIM Configuration
- Board Connectors
- User Interface Hardware

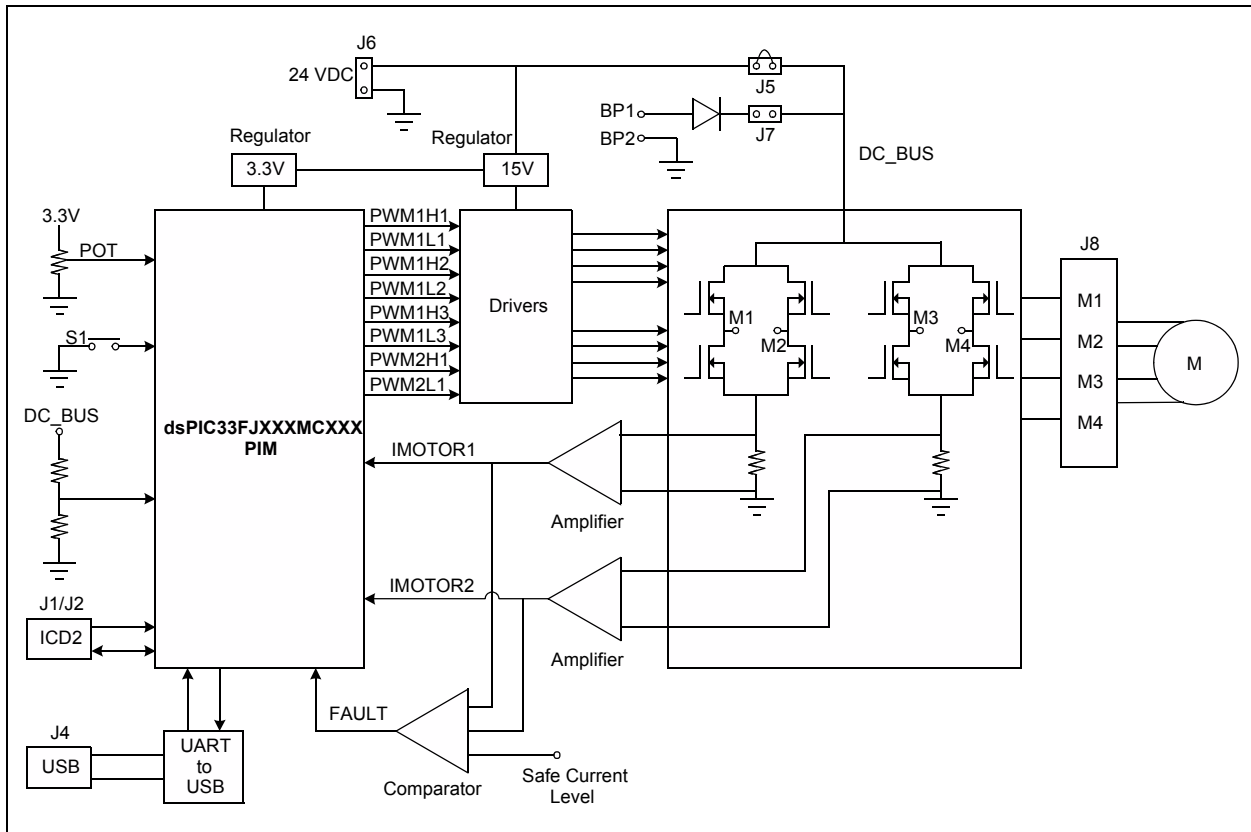
3.1 HARDWARE ARCHITECTURE

The dsPIC DSC devices feature an 8-channel, high-speed PWM with Complementary mode output, a programmable ADC trigger on the PWM reload cycle, digital dead time control, internal shoot-through protection and hardware fault shutdown.

These features make the dsPIC DSC an ideal solution for high-performance stepper motor control applications where full control of the full-bridge inverter is required.

Figure 3-1 provides a simplified block diagram of the development board hardware.

FIGURE 3-1: dsPICDEM MCSM DEVELOPMENT BOARD BLOCK DIAGRAM



3.1.1 Power Stage

The dsPICDEM MCSM Development Board features two full-bridge inverters to accommodate a bipolar stepper motor. MOSFET gate signals are powered from a 15V permanent supply while the full-bridge inverters can be powered from a supply up to 80V.

3.1.1.1 MOSFET DRIVER

Although the dsPIC DSC devices can operate in Complementary PWM mode, Independent PWM mode is still possible. In this case, internal dead time control and shoot-through protection circuits are disabled. In order to protect the power stage from high shoot-through currents in Independent PWM mode, the chosen MOSFET driver also has a built-in shoot-through protection and a small fixed dead time. In Independent PWM mode, the development board is suitable for controlling two brushed DC motors with full direction control, or up to four DC motors with a single turning direction.

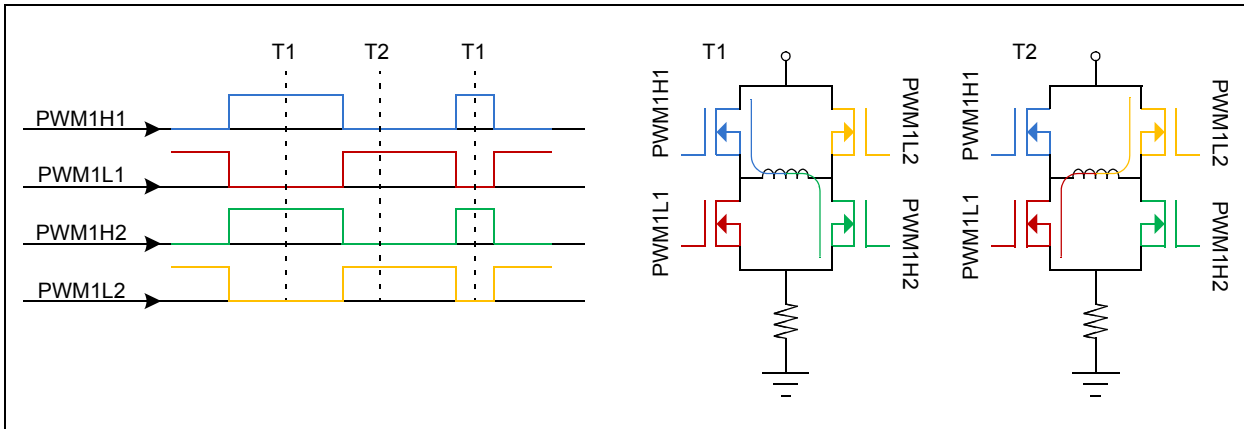
3.1.1.2 SWITCHING TOPOLOGY

Driving a stepper motor in a full-bridge topology requires switching the opposite diagonal MOSFETs on and off at the same time in order to reverse the drive current and to accommodate all possible decay modes. Since all PWMxHx pins are on at the same time (for example, PWM1H1 and PWM1H2), it is not possible to drive all of the high-side MOSFETs with the PWMxHx signals. Figure 3-2 shows the PWM and MOSFET assignment.

Driving the high PWM pins active will run the current through a motor winding in one direction, while driving the low PWM pins active will run the current through the winding in the opposite direction. By using this topology in addition to the dsPIC PWM Override feature, all decay modes for the winding current can be achieved.

Refer to **Appendix A. "Board Layout and Schematics"** for the complete schematic and PWM pin assignments.

FIGURE 3-2: MOSFET PWM ASSIGNMENT



3.1.2 Current Sensing

Two shunt resistors are available for current sensing, one for each of the two motor windings. In order to read both positive and negative currents, the amplifier circuit is designed with an offset of $V_{REF} = AV_{DD}/2$. The amplifier gain allows for a maximum current range of $\pm 2.2A$.

To calculate the amplifier gain, use the formula provided in Equation 3-1:

EQUATION 3-1: AMPLIFIER GAIN CALCULATION FORMULA

$$Gain = R_{SHUNT} \cdot \frac{R_{27}}{R_{28} + R_{29}}$$

Note: The default gain value is 0.75 V/A, allowing a resolution of 67 $\mu A/bit$ with a 10-bit ADC.

The formula shown in Equation 3-1 is a simplified version of the complete formula and is only valid when $R_{28} = R_{29} = R_{33} = R_{34}$ and $R_{27} = R_{35}$. If changes to the amplifier gain are needed, use the above formula to calculate R_{27} corresponding to the desired gain, and then replace both R_{27} and R_{35} with the calculated resistor value. Make the same changes for R_{39} and R_{45} .

The DC voltage supplied to the power stage is measured with a simple resistor divider. To calculate the DC_REF signal used for this purpose use the formula provided in Equation 3-2:

EQUATION 3-2: DC_REF SIGNAL CALCULATION FORMULA

$$DC_REF = \frac{1}{28} DC_BUS$$

This measurement is needed in the PI loop calculation and for algorithms such as automatic motor induction and resistance identification.

3.1.3 Fault Protection

The dsPICDEM MCSM Development Board features an overcurrent fault detection, which triggers a PWM shutdown. Each phase current is amplified and then compared with a fixed “safe” current value. A value of 1.7A is set for the dsPICDEM MCSM Development Board; however, the user can change this limit by changing the resistor divider made by R48 and R51. When either of the two phase currents is above the “safe” current level, a Fault signal is triggered and the dsPIC DSC hardware module automatically switches off all PWM outputs.

The Fault LED (D15) is active only when an overcurrent is present in the motor windings. It will go inactive immediately after the internal dsPIC Fault circuit shuts down the PWM pins. In this case, the LED will not be visible as the on-time is very short. The Fault LED will only be visible if the Fault is persistent, that is when the software fault shutdown is disabled.

For details about the PWM module Fault feature, please refer to **Section 14. “Motor Control PWM”** (DS70187) in the “dsPIC33F Family Reference Manual”.

WARNING

If the Fault LED is permanently active, power off the board immediately to avoid damage to the power Mosfets.

3.2 PIM CONFIGURATION

This section summarizes the resistor configurations required to connect the PIM pins to the dsPIC DSC pins. The following PIMs can be configured on the dsPICDEM MCSM Development Board:

- dsPIC33FJ256MC710 PIM (MA330013)
- dsPIC33FJ12MC202 PIM (MA330014)
- dsPIC33FJ32MC204 PIM (MA330017)
- dsPIC33FJ128MC804 PIM (MA330018)

Table 3-1, Table 3-2 and Table 3-3 describe the PIM configuration details. The dsPIC33FJ32MC204 and dsPIC33FJ128MC804 PIMs are pin-compatible and share the same table.

TABLE 3-1: dsPIC33FJ256MC710 CONFIGURATION DETAILS⁽¹⁾

PIM Pin Number	Labels on the MCSM Board	dsPIC33FJ256MC710		Comment/Board Resistor Configuration
		Pin Number	Pin Name	
3	PWM1H3	3	PWM3H/RE5	—
4	PWM2L1	4	PWM4L/RE6	—
5	PWM2H1	5	PWM4H/RE7	—
13	MCLR	13	MCLR	—
18	PWM2H1	—	AN20/FLTA/INT1/RE8	Not used, set pin as input
19	FAULT_1	19	AN21/FLTB/INT2/RE9	Solder R86, remove R87
20	POT	20	AN5/QEB/CN7/RB5	Not used, set pin as input
22	POT	22	AN3/INDX/CN5/RB3	—
23	DC_REF	23	AN2/SS1/CN4/RB2	—
24	IMOTOR2	24	PGEC3/AN1/CN3/RB1	—
25	IMOTOR1	25	PGED3/AN0/CN2/RB0	—
26	PGC	26	PGEC1/AN6/OCFA/RB6	—
27	PGD	27	PGED1/AN7/RB7	—
35	DC_REF	35	AN11/RB11	Not used, set pin as input
41	POT	41	AN12/RB12	Not used, set pin as input
49	USB_RX	49	U2RX/CN17/RF4	—
50	USB_TX	50	U2TX/CN18/RF5	—
51	USB_TX	51	U1TX/RF3	—
52	USB_RX	52	U1RX/RF2	—
54	USB_VBUS	—	SDI1/RF7	Not used, set pin as input
55	USB_3.3V	—	SCK1/INT0/RF6	Not used, set pin as input
56	USB_D-	—	SDA1/RG3	Not used, set pin as input
57	USB_D+	—	SCL1/RG2	Not used, set pin as input
63	OSCI	63	OSC1/CLKIN/RC12	—
64	OSCO	64	OSC2/CLKO/RC15	—
68	FAULT_1	68	IC1/RD8	Not used, set pin as input
70	BTN_1	70	IC3/RD10	—
76	USB_TX	76	OC2/RD1	Not used, set pin as input
77	PWM2H1	77	OC3/RD2	Not used, set pin as input
78	PWM2L1	78	OC4/RD3	Not used, set pin as input
83	USB_TX	—	OC7/CN15/RD6	Not used, set pin as input
84	USB_RX	—	OC8/UPDN//CN16/RD7	Not used, set pin as input
93	PWM1L1	93	PWM1L/RE0	—
94	PWM1H1	94	PWM1H/RE1	—
98	PWM1L2	98	PWM2L/RE2	—
99	PWM1H2	99	PWM2H/RE3	—
100	PWM1L3	100	PWM3L/RE4	—

Note 1: When using a dsPIC33FJ256MC710 it is necessary to set PIM pin 19 as FAULT_1. PIM Pin 19 can be configured for FAULT_1 or PWM2L1 signals by soldering the appropriate resistor as follows:

- For FAULT_1 : Remove R87 and Solder R86
- For PWM2L1 : Remove R86 and Solder R87 (Default)

dsPICDEM™ MCSM Development Board User's Guide

TABLE 3-2: dsPIC33FJ12MC202 CONFIGURATION DETAILS^(1,2)

PIM Pin Number	Labels on the MCSM Board	dsPIC33FJ12MC202		PIM Resistor Configuration
		Pin Number	Pin Name	
3	PWM1H3	18	TDI/PWM1H3/RP10/CN16/RB10	Solder R12
4	PWM2L1	—	—	—
5	PWM2H1	—	—	—
13	MCLR	26	MCLR	—
18	PWM2H1	14	TCK/PWM2H1/SCL1/RP8/CN22/RB8	Solder R11
19	PWML1	15	TDO/PWM2L1/SDA1/RP9/CN21/RB9	Solder R14, solder R13
20	POT	2	PGC1/EMUC1/AN3/RP1/CN5/RB1	Solder R31, remove R21
22	POT	—	—	Remove R9
23	DC_REF	—	—	—
24	IMOTOR2	28	PGC2/EMUC2/AN1/VREF-/CN3/RA1	Solder R25, remove R26
25	IMOTOR1	27	PGD2/EMUD2/AN0/VREF+/CN2/RA0	Solder R24, remove R27
26	PGC	9	PGC3/EMUC3/SOSCO/T1CK/CN0/RA4	—
27	PGD	8	PGD3/EMUD3/SOSCI/RP4/CN1/RB4	—
35	DC_REF	1	PGD1/EMUD1/AN2/RP0/CN4/RB0	Solder R20, remove R28
41	POT	—	—	—
49	USB_RX	—	—	—
50	USB_TX	—	—	—
51	USB_TX	—	—	—
52	USB_RX	—	—	—
54	USB_VBUS	—	—	—
55	USB_3.3V	—	—	—
56	USB_D-	—	—	—
57	USB_D+	—	—	—
63	OSCI	6	OSCI/CLKI/CN30/RA2	—
64	OSCO	7	OSCO/CLKO/CN29/RA3	—
68	FAULT_1	11	ASDA1/RP5/CN27/RB5	Solder R6, remove R5, R33
70	BTN_1	13	INT0/RP7/CN23/RB7	Solder R10, remove R9
76	USB_TX	—	—	—
77	PWM2H1	—	—	—
78	PWM2L1	—	—	—
83	USB_TX	3	AN4/RP2/CN6/RB2	Solder R30, remove R22
84	USB_RX	4	AN5/RP3/CN7/RB3	Solder R29, remove R23
93	PWM1L1	23	PWM1L1/RP15/CN11/RB15	Solder R19
94	PWM1H1	22	PWM1H1/ RP14/CN12/RB14	Solder R18
98	PWM1L2	21	PWM1L2/RP13/CN13/RB13	Solder R17
99	PWM1H2	20	PWM1H2/RP12/CN14/RB12	Solder R16
100	PWM1L3	19	TMS/PWM1L3/RP11/CN15/RB11	Solder R15

Note 1: No hardware changes are needed if the standard dsPICDEM MCSM Development Board is used with a standard dsPIC33FJ12MC202 PIM.

2: PIM Pin 19 can be configured for FAULT_1 or PWM2L1 signals by soldering the appropriate resistor as follows:

- For FAULT_1 : Remove R87 and Solder R86
- For PWM2L1 : Remove R86 and Solder R87 (Default)

TABLE 3-3: dsPIC33FJ32MC204 AND dsPIC33FJ128MC804 CONFIGURATION DETAILS

PIM Pin Number	Labels on the MCSM Board	dsPIC33FJ32MC204 dsPIC33FJ128MC804		PIM Resistor Configuration
		Pin Number	Pin Name	
3	PWM1H3	8	PGED2/EMUD2/PWM1H3/RP10/CN16/RB10	Solder R6
4	PWM2L1	—	—	—
5	PWM2H1	—	—	—
13	MCLR	18	MCLR	—
18	PWM2H1	44	SCL1/RP8/CN22/RB8	Not used, set pin as input
19	PWM2L1	1	SDA1/RP9/CN21/RB9	Not used, set pin as input
20	POT	26	AN7/RP17/CN9/RC1	Not used, set pin as input
22	POT	—	—	—
23	DC_REF	—	—	—
24	IMOTOR2	20	AN1/VREF-/CN3/RA1	Solder R13
25	IMOTOR1	19	AN0/VREF+/CN2/RA0	Solder R12
26	PGC	42	PGEC3/EMUC3/ASCL1/RP6/CN24/RB6	—
27	PGD	41	PGED3/EMUD3/ASDA1/RP5/CN27/RB5	—
35	DC_REF	21	PGED1/EMUD1/AN2/C2IN-/RP0/CN4/RB0	Solder R14
41	POT	22	PGEC1/EMUC1/AN3/C2IN+/RP1/CN5/RB1	Solder R22
49	USB_RX	—	—	—
50	USB_TX	—	—	—
51	USB_TX	—	—	—
52	USB_RX	—	—	—
54	USB_VBUS	—	—	—
55	USB_3.3V	—	—	—
56	USB_D-	—	—	—
57	USB_D+	—	—	—
63	OSCI	30	OSCI/CLKI/CN30/RA2	—
64	OSCO	31	OSCO/CLKO/CN29/RA3	—
68	FAULT_1	4	RP24/CN20/RC8	Solder R2, remove R18
70	BTN_1	43	INT0/RP7/CN23/RB7	Solder R3, remove R26
76	USB_TX	38	RP21/CN26/RC5	Solder R30
77	PWM2H1	2	PWM2H1/RP22/CN18/RC6	Solder R32
78	PWM2L1	3	PWM2L1/RP23/CN17/RC7	Solder R31
83	USB_TX	32	TDO/RA8	Not used, set pin as input
84	USB_RX	33	SOSCI/RP4/CN1/RB4	Solder R20
93	PWM1L1	15	PWM1L1/RP15/CN11/RB15	Solder R11
94	PWM1H1	14	PWM1H1/RP14/CN12/RB14	Solder R10
98	PWM1L2	11	PWM1L2/RP13/CN13/RB13	Solder R9
99	PWM1H2	10	PWM1H2/RP12/CN14/RB12	Solder R7
100	PWM1L3	9	PGEC2/EMUC2/PWM1L3/RP11/CN15/RB11	Solder R8

Note 1: No hardware changes are needed if the standard dsPICDEM MCSM Development Board is used with a standard dsPIC33FJ12MC204 or dsPIC33FJ128MC804 PIM.

2: PIM Pin 19 can be configured for FAULT_1 or PWM2L1 signals by soldering the appropriate resistor as follows:

- For FAULT_1 : Remove R87 and Solder R86
- For PWM2L1 : Remove R86 and Solder R87 (Default)

dsPICDEM™ MCSM Development Board User's Guide

3.3 BOARD CONNECTORS

Figure 3-3 shows the various user interface components available on the dsPICDEM MCSM Development Board. Table 3-4 describes the hardware connection between the PICKit™ 3, MPLAB® ICD 3 or MPLAB REAL ICE™ In-Circuit Emulator, the power supply, and the dsPICDEM MCSM Development Board connectors.

FIGURE 3-3: dsPICDEM MCSM DEVELOPMENT BOARD USER INTERFACE COMPONENTS

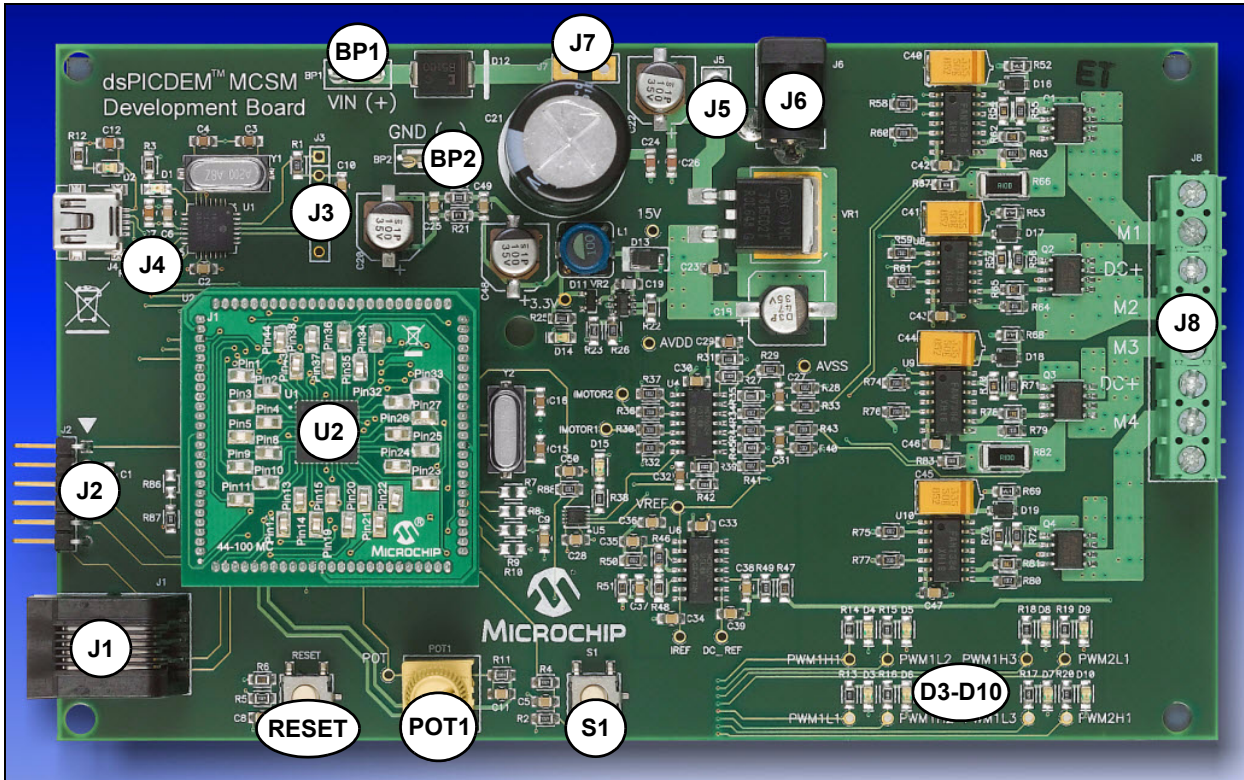


TABLE 3-4: dsPICDEM MCSM DEVELOPMENT BOARD USER INTERFACE COMPONENTS

Designator	Description
BP1-BP2	Auxiliary power supply connector
D3-D10	PWM LEDs
S1	Push button switch 1
RESET	Device Reset switch
POT1	Potentiometer
U2	Plug-in Module (PIM) adaptor
J1	RJ11, 6-pin connector for programming a dsPIC® DSC device
J2	ICSP connector for programming a dsPIC DSC device
J3	ICSP™ programmer interface connector for programming the PIC18LF2450 USB-to-UART bridge
J4	USB interface port
J5	24V power supply select jumper
J6	24V Input power supply connector
J7	Auxiliary power supply select jumper
J8	Motor power connector

3.3.1 Input Power Connector (J6, BP1-BP2)

The dsPICDEM MCSM Development Board receives the power for control circuits from a +24V power supply. The 24V supply is always needed as it supplies 15V and 3.3V necessary for the dsPIC DSC and for the interface between the dsPIC DSC and the power stage. The power stage DC bus voltage can be connected to the development board through the J6 or BP1-BP2 connectors.

3.3.2 DC Bus Power Supply Connector (J5 and J7)

By default, jumper J5 is short and jumper J7 is open, and the +24V input power supply connected to J6 supplies both the control circuits and the DC bus voltage to the development board. If jumper J7 is short and jumper J5 is open, the BP1-BP2 connectors supply the DC bus voltage to the development board power stage and J6 supplies the control circuits.

The 0-80V ADC power supply can be connected between BP1-BP2.

3.3.3 USB Interface (J4)

The development board uses an on-board PIC18 interface as a bridge between the UART and the USB. The PIC18 UART pins are connected to the dsPIC33F devices on different ports depending on the specific dsPIC33F device used. For the specific devices that do not have remappable peripherals, additional UART RX/TX are available on the device designated port for UART communication.

For dsPIC DSC devices that have an embedded USB port, populate R7, R8, R9 and R10 with 0Ω resistors, and disable the PIC18 USB communication by removing R84 and R85.

3.3.4 ICSP Connector for dsPIC DSC (J1/J2)

The MPLAB ICD 3 and MPLAB REAL ICE Connector is an RJ11 female connector (J1) that connects the MPLAB ICD 3 or MPLAB REAL ICE In-Circuit Debugger to the dsPIC33F device for programming and debugging purposes. The PICKit 3 In-Circuit Debugger/Programmer can be connected to the board using a 6-pin ICSP connector (J2).

3.3.5 ICSP for PIC18 (J3)

J3 is a 6-pin connector that connects the PICKit 3 In-Circuit Debugger/Programmer to the PIC18F device. The development board uses the on-board PIC18 interface as a bridge between the UART and USB. The PIC18F can be programmed for USB communication.

3.3.6 Motor Connector (J8)

The motor connector has eight terminals. Table 3-5 lists the functionality of each terminal.

TABLE 3-5: MOTOR CONNECTOR DETAILS

Terminal Number	Designator	Description
1	NC	Not connected
2	M1	Motor wire 1 (phase 1)
3	DC+	DC bus voltage
4	M2	Motor wire 2 (phase 1)
5	M3	Motor wire 3 (phase 2)
6	DC+	DC bus voltage
7	M4	Motor wire 4 (phase 2)
8	NC	Not connected

The connector is configured in such a way so that all eight motor wires can be connected in all possible configurations. Considering an eight-wire motor in a bipolar configuration (series- or half-winding), two wires will be left floating. The NC pins are available to accommodate the two floating wires.

The DC bus connection is placed between wires of two different phases to accommodate the center tap of a winding in unipolar configurations. Refer to Table 3 for details on how to connect the motor wires to J8 for all possible configurations.

3.3.7 Test Points

Table 3-6 lists the test points that can be used to check various signals.

TABLE 3-6: TEST POINTS

Test Points	Description
POT	POT signal
15V	15V MOSFET driver supply
3.3V	3.3V digital supply
AVDD	Analog supply (3.3V)
AVSS	Analog ground
IMOTOR1	Motor current phase 1
IMOTOR2	Motor current phase 2
VREF	Zero current reference voltage
DC_REF	DC_BUS voltage input to ADC
IREF	Reference current for Fault detection
PWM1H1	PWM output for wire 1 top switch
PWM1L1	PWM output for wire 1 bottom switch
PWM1H2	PWM output for wire 2 bottom switch
PWM1L2	PWM output for wire 2 top switch
PWM1H3	PWM output for wire 3 top switch
PWM1L3	PWM output for wire 3 bottom switch
PWM2H1	PWM output for wire 4 bottom switch
PWM2L1	PWM output for wire 4 top switch

3.4 USER INTERFACE HARDWARE

The dsPICDEM MCSM Development Board consists of the following push buttons, LEDs and potentiometers:

- One push button
- One potentiometer
- Eight PWM LEDs
- One power-on status LED
- Two USB LEDs
- One Fault LED
- Device Reset push button

TABLE 3-7: INDICATORS AND HUMAN INTERFACES

Label	Hardware Element Description
S1	Push button; this push button is connected to a port pin. When momentarily pressed, the switch connects the respective port pin to Ground.
POT1	10 k Ω potentiometer; it is connected to analog input pin.
RESET	Push button; this push button, when pressed, causes a device Reset.
D1	USB communication indicator, which indicates the device has been detected.
D2	USB bus indicator, which indicates that the device is connected to the USB bus.
D3-D10	LEDs, which indicate the PWM pin status. When an LED is ON, the respective PWM pin is high.
D14	Power-on status LED, which indicates the status of the +3.3V regulator.
D15	Fault LED; indicates an overcurrent.

dsPICDEM™ MCSM Development Board User's Guide

NOTES:

Chapter 4. Troubleshooting

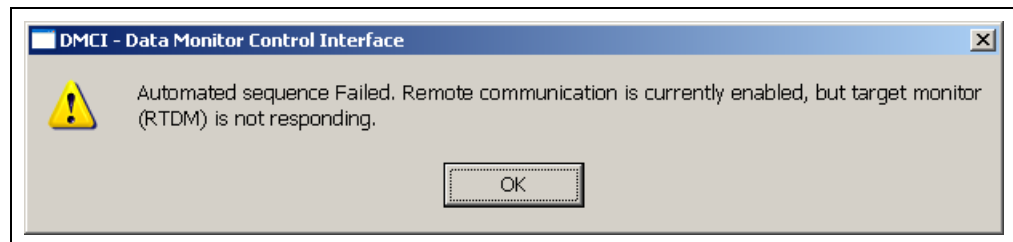
This chapter provides information for troubleshooting problems encountered while using the dsPICDEM MCSM Development Board.

4.1 COMMON PROBLEMS

1. **Problem:** USB connection in DMCI fail (amber and green LEDs are ON)

This condition is accompanied by the following error message:

FIGURE 4-1: DMCI CONNECTION FAILURE



Solution:

- a) Disconnect the USB cable. When disconnected, the green LED turns OFF.
 - b) Reconnect the USB cable. When reconnected, the amber LED turns OFF, and the green LED turns ON.
2. **Problem:** Switching noise
While using a stepper motor, inductances are being switched on and off frequently. Switching noise is present and can be seen with an oscilloscope.

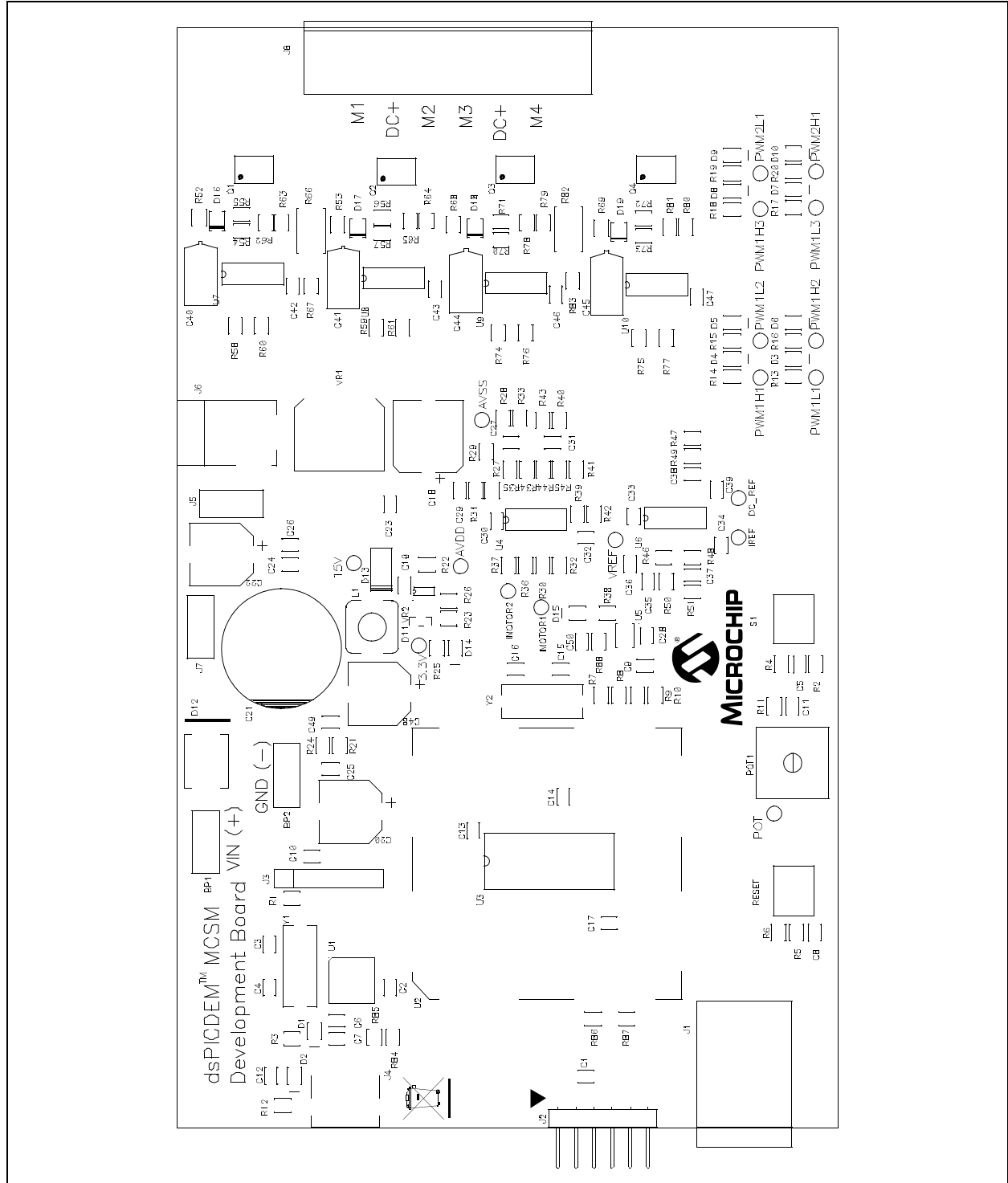
Solution: To properly measure a signal, connect a probe to the desired signal and one to ground and perform a division. The signal that results is what the dsPIC DSC sees.

dsPICDEM™ MCSM Development Board User's Guide

NOTES:

Appendix A. Board Layout and Schematics

FIGURE A-1: dsPICDEM™ MCSM DEVELOPMENT BOARD LAYOUT (TOP)



dsPICDEM™ MCSM Development Board User's Guide

FIGURE A-2: dsPICDEM™ MCSM DEVELOPMENT BOARD SCHEMATIC (SHEET 1 OF 3)

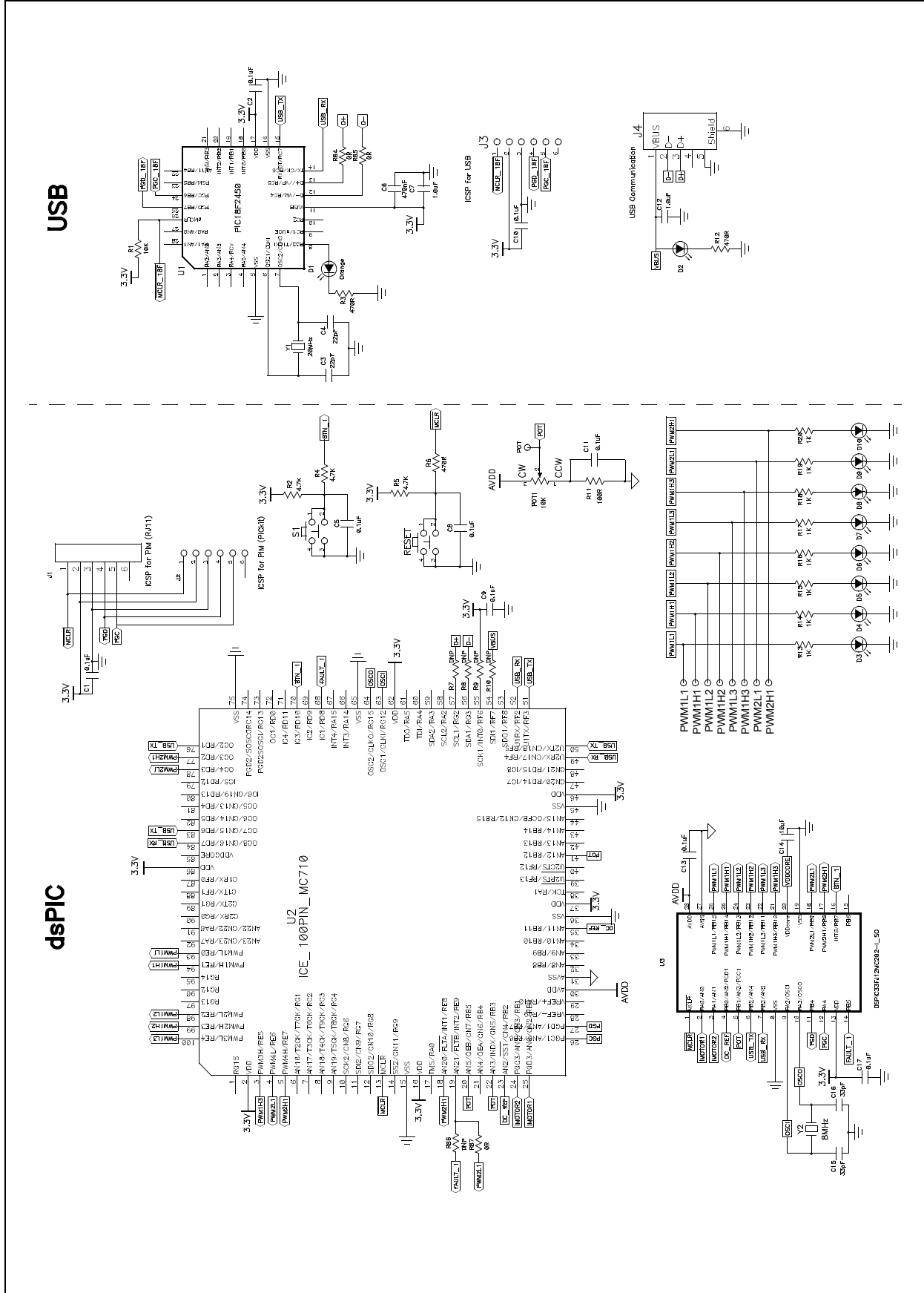
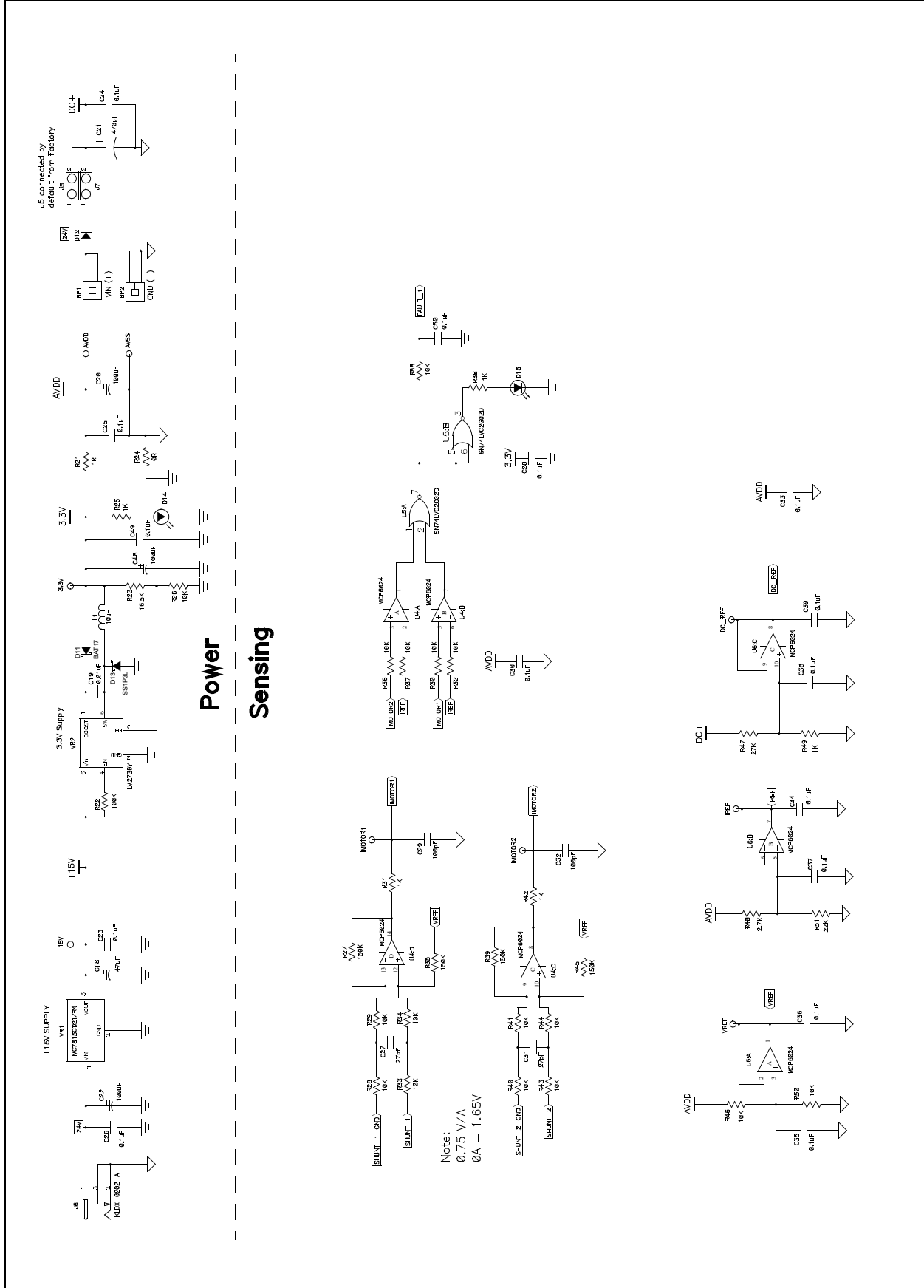
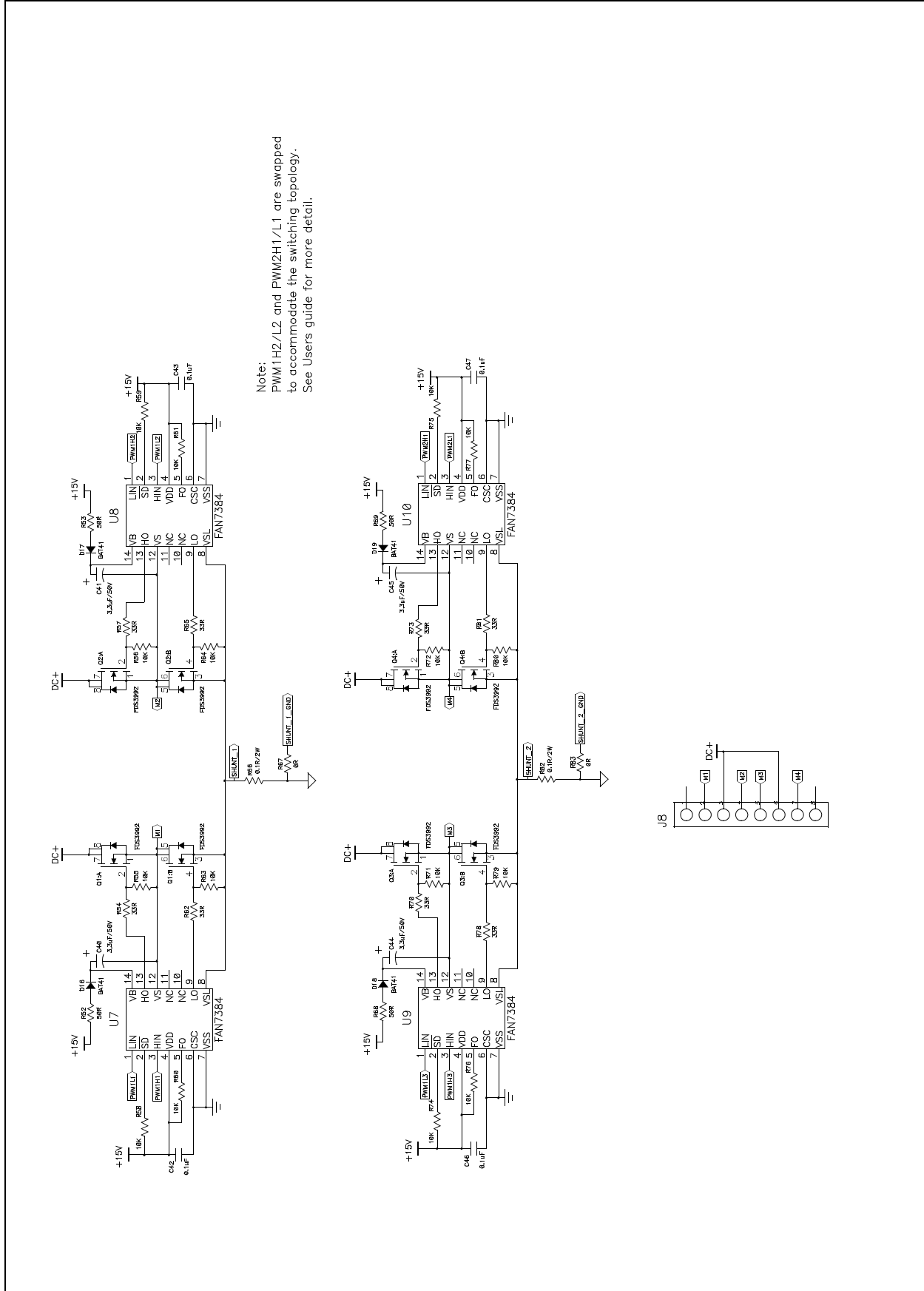


FIGURE A-3: dsPICDEM™ MCSM DEVELOPMENT BOARD SCHEMATIC (SHEET 2 OF 3)



dsPICDEM™ MCSM Development Board User's Guide

FIGURE A-4: dsPICDEM™ MCSM DEVELOPMENT BOARD SCHEMATIC (SHEET 3 OF 3)



Appendix B. Electrical Specifications

This appendix provides important electrical specifications for the dsPICDEM MCSM Development Board.

TABLE B-1: DC INPUT RATING

Parameter	Condition	Min	Typ	Max	Unit
Power supply connected to J6	—	18	24	35	VDC
Power supply connected to BP1-BP2	J5 open, J7 closed	0	24	80	VDC

TABLE B-2: DC OUTPUT RATING (J8)

Parameter	Condition	Min	Typ	Max	Unit
Voltage	J5 closed, J7 open	0	24	24	VDC
	J5 open, J7 closed	0	24	80	
Peak Current	—	0	1	3.5	A
Power Rating	—	0	g ⁽¹⁾	40 ^(2,3)	W

Note 1: While driving two phases ON at 1A each through 4.6Ω winding resistance.

2: Maximum power tested is 40W.

3: Maximum theoretical power with no additional heat sink is: 80V * 1.7A = 135W.

dsPICDEM™ MCSM Development Board User's Guide

NOTES:



dsPICDEM™ MCSM DEVELOPMENT BOARD USER'S GUIDE

Index

A		R	
Amplifier Gain Calculation Formula.....	19	Reading, Recommended	8
B		S	
Block Diagram.....	12	Schematics	
Board Layout.....	31	Sheet 1 of 3.....	32
C		Sheet 2 of 3.....	33
Connectors and Jumpers	24	Sheet 3 of 3.....	34
Current Sensing	19	Signal Test Points	26
Customer Notification Service.....	9	Stepper Motors	
Customer Support.....	10	Bipolar	11
D		Unipolar.....	11
DC Bus Power Supply Connector (J5 and J7).....	25	T	
DC_REF Signal Calculation Formula.....	19	Troubleshooting	
Documentation		DMCI Connection Failure.....	29
Conventions	7	Switching Noise	29
Layout	5	U	
F		USB Interface (J4).....	25
Fault LED (D15)	19	User Interface Hardware	27
Fault Protection.....	19	W	
I		Warranty Registration	8
ICSP Connector for dsPIC DSC (J1/J2).....	25	WWW Address.....	9
ICSP for PIC18 (J3)	25		
Indicators and Human Interfaces	27		
Input Power Connector (J6, BP1-BP2)	25		
Internet Address.....	9		
K			
Key Features.....	13		
Kit Contents	13		
M			
Microchip Internet Web Site.....	9		
MOSFET PWM Assignment.....	18		
Motor Configuration	15		
Motor Connector (J8)	25		
P			
PIM Configuration	20		
dsPIC33FJ128MC804	23		
dsPIC33FJ12MC202	22		
dsPIC33FJ256MC710	21		
dsPIC33FJ32MC204	23		
Plug-In Module (PIM)	11		
Power Stage	18		
MOSFET Driver	18		
Switching Topology.....	18		



Worldwide Sales and Service

AMERICAS

Corporate Office
2355 West Chandler Blvd.
Chandler, AZ 85224-6199
Tel: 480-792-7200
Fax: 480-792-7277
Technical Support:
<http://support.microchip.com>
Web Address:
www.microchip.com

Atlanta
Duluth, GA
Tel: 678-957-9614
Fax: 678-957-1455

Boston
Westborough, MA
Tel: 774-760-0087
Fax: 774-760-0088

Chicago
Itasca, IL
Tel: 630-285-0071
Fax: 630-285-0075

Cleveland
Independence, OH
Tel: 216-447-0464
Fax: 216-447-0643

Dallas
Addison, TX
Tel: 972-818-7423
Fax: 972-818-2924

Detroit
Farmington Hills, MI
Tel: 248-538-2250
Fax: 248-538-2260

Kokomo
Kokomo, IN
Tel: 765-864-8360
Fax: 765-864-8387

Los Angeles
Mission Viejo, CA
Tel: 949-462-9523
Fax: 949-462-9608

Santa Clara
Santa Clara, CA
Tel: 408-961-6444
Fax: 408-961-6445

Toronto
Mississauga, Ontario,
Canada
Tel: 905-673-0699
Fax: 905-673-6509

ASIA/PACIFIC

Asia Pacific Office
Suites 3707-14, 37th Floor
Tower 6, The Gateway
Harbour City, Kowloon
Hong Kong
Tel: 852-2401-1200
Fax: 852-2401-3431

Australia - Sydney
Tel: 61-2-9868-6733
Fax: 61-2-9868-6755

China - Beijing
Tel: 86-10-8528-2100
Fax: 86-10-8528-2104

China - Chengdu
Tel: 86-28-8665-5511
Fax: 86-28-8665-7889

China - Hong Kong SAR
Tel: 852-2401-1200
Fax: 852-2401-3431

China - Nanjing
Tel: 86-25-8473-2460
Fax: 86-25-8473-2470

China - Qingdao
Tel: 86-532-8502-7355
Fax: 86-532-8502-7205

China - Shanghai
Tel: 86-21-5407-5533
Fax: 86-21-5407-5066

China - Shenyang
Tel: 86-24-2334-2829
Fax: 86-24-2334-2393

China - Shenzhen
Tel: 86-755-8203-2660
Fax: 86-755-8203-1760

China - Wuhan
Tel: 86-27-5980-5300
Fax: 86-27-5980-5118

China - Xiamen
Tel: 86-592-2388138
Fax: 86-592-2388130

China - Xian
Tel: 86-29-8833-7252
Fax: 86-29-8833-7256

China - Zhuhai
Tel: 86-756-3210040
Fax: 86-756-3210049

ASIA/PACIFIC

India - Bangalore
Tel: 91-80-3090-4444
Fax: 91-80-3090-4080

India - New Delhi
Tel: 91-11-4160-8631
Fax: 91-11-4160-8632

India - Pune
Tel: 91-20-2566-1512
Fax: 91-20-2566-1513

Japan - Yokohama
Tel: 81-45-471- 6166
Fax: 81-45-471-6122

Korea - Daegu
Tel: 82-53-744-4301
Fax: 82-53-744-4302

Korea - Seoul
Tel: 82-2-554-7200
Fax: 82-2-558-5932 or
82-2-558-5934

Malaysia - Kuala Lumpur
Tel: 60-3-6201-9857
Fax: 60-3-6201-9859

Malaysia - Penang
Tel: 60-4-227-8870
Fax: 60-4-227-4068

Philippines - Manila
Tel: 63-2-634-9065
Fax: 63-2-634-9069

Singapore
Tel: 65-6334-8870
Fax: 65-6334-8850

Taiwan - Hsin Chu
Tel: 886-3-6578-300
Fax: 886-3-6578-370

Taiwan - Kaohsiung
Tel: 886-7-536-4818
Fax: 886-7-536-4803

Taiwan - Taipei
Tel: 886-2-2500-6610
Fax: 886-2-2508-0102

Thailand - Bangkok
Tel: 66-2-694-1351
Fax: 66-2-694-1350

EUROPE

Austria - Wels
Tel: 43-7242-2244-39
Fax: 43-7242-2244-393

Denmark - Copenhagen
Tel: 45-4450-2828
Fax: 45-4485-2829

France - Paris
Tel: 33-1-69-53-63-20
Fax: 33-1-69-30-90-79

Germany - Munich
Tel: 49-89-627-144-0
Fax: 49-89-627-144-44

Italy - Milan
Tel: 39-0331-742611
Fax: 39-0331-466781

Netherlands - Drunen
Tel: 31-416-690399
Fax: 31-416-690340

Spain - Madrid
Tel: 34-91-708-08-90
Fax: 34-91-708-08-91

UK - Wokingham
Tel: 44-118-921-5869
Fax: 44-118-921-5820

03/26/09