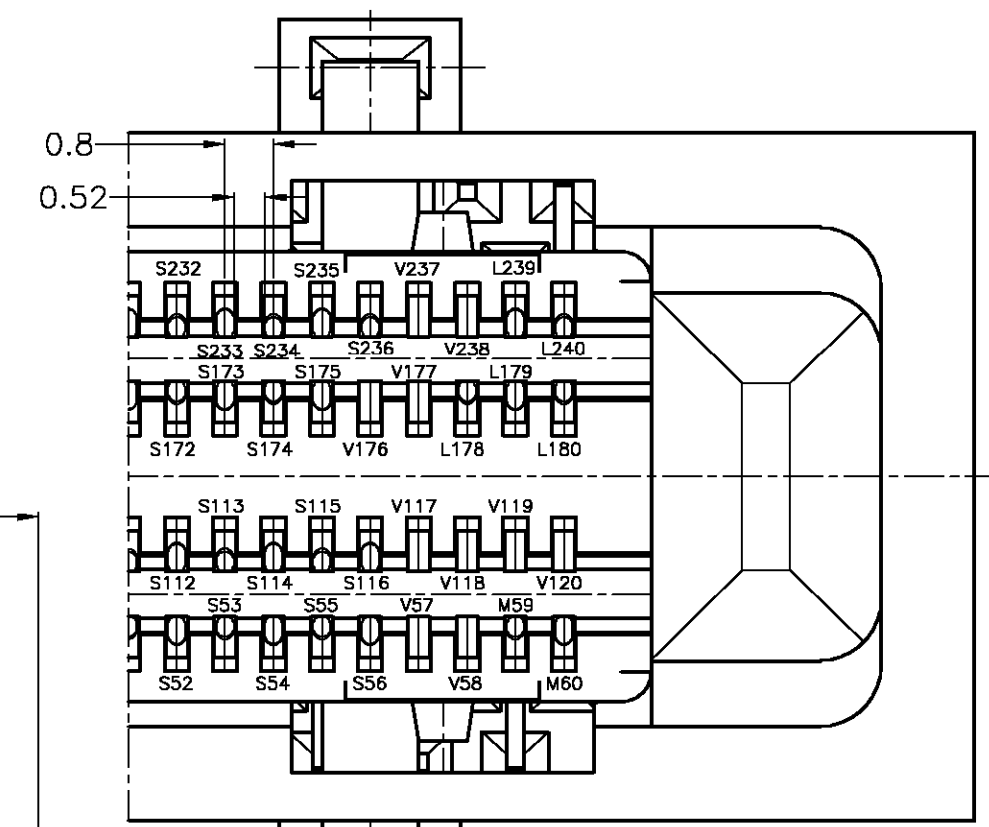
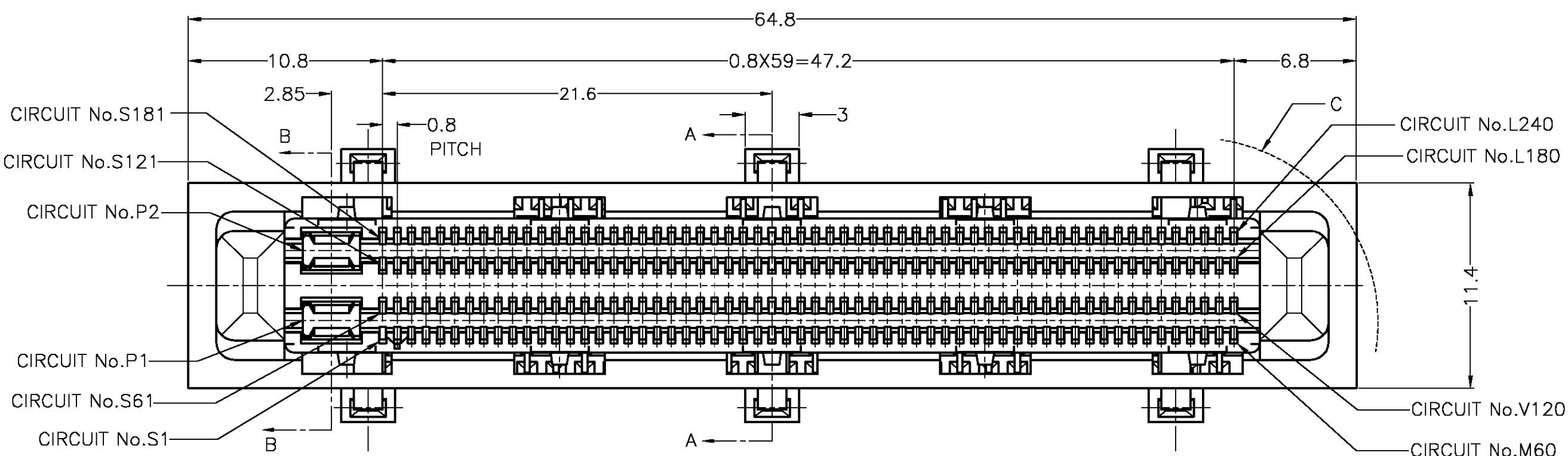


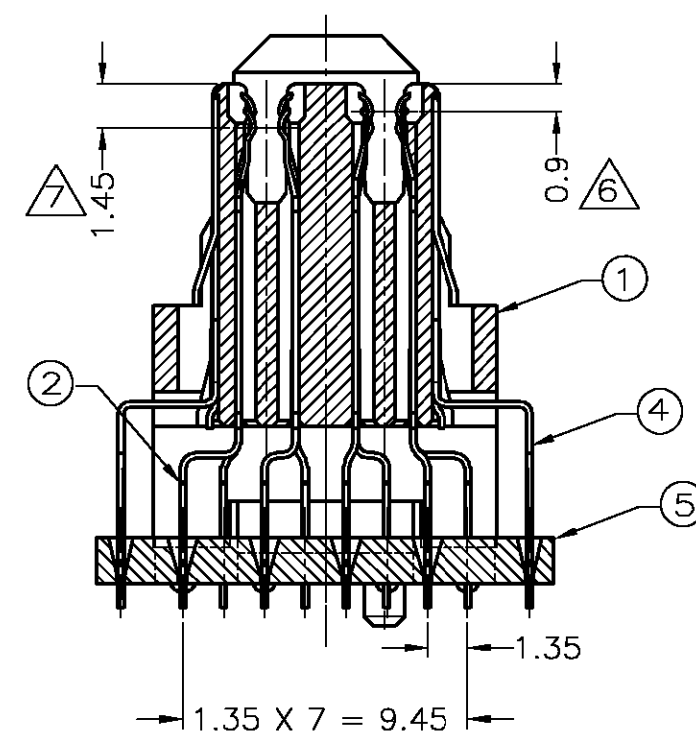
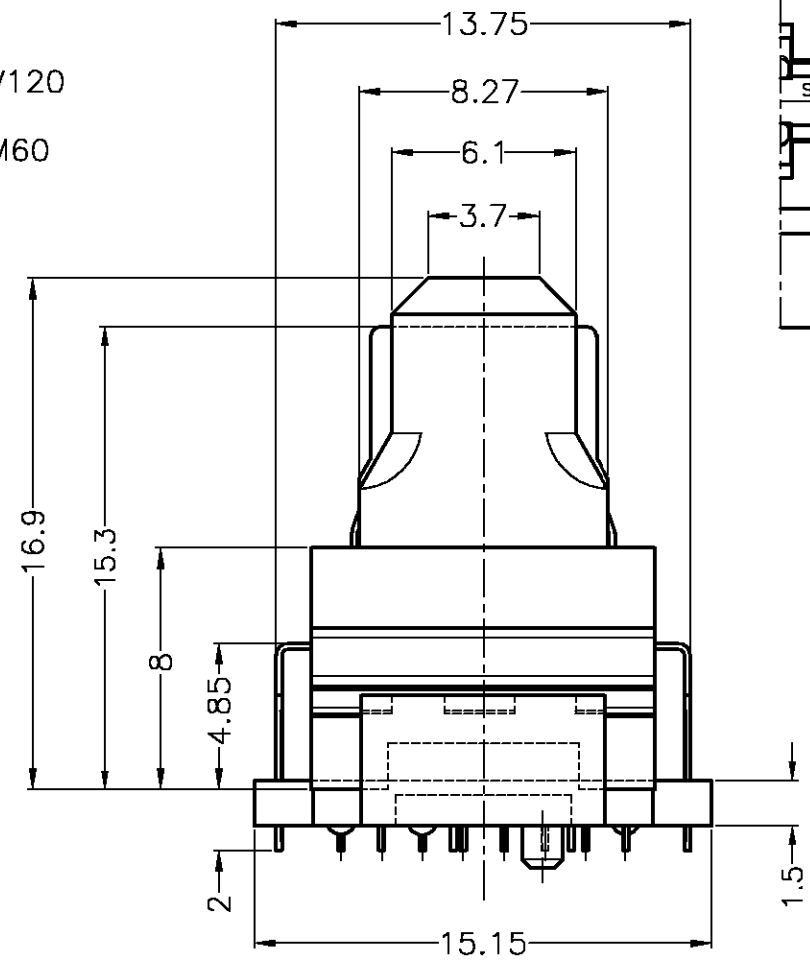
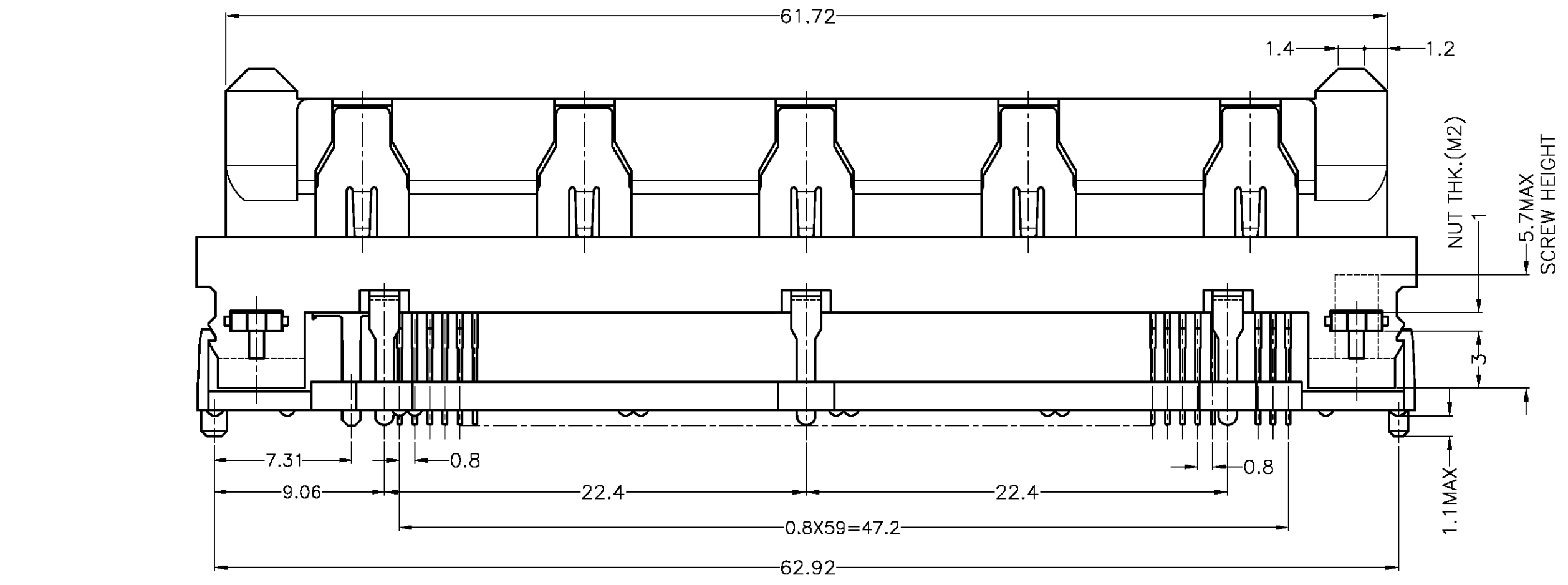
THIS DRAWING IS UNPUBLISHED. RELEASED FOR PUBLICATION 2001.  
 © COPYRIGHT 2001 BY TYCO ELECTRONICS CORPORATION. ALL RIGHTS RESERVED.

LOC		DIST		REVISIONS			DATE	DWN	APVD
J				P	LTR	DESCRIPTION			
				0	RELEASED	FJ00-0692-01	13APR'01	N.S	H.S

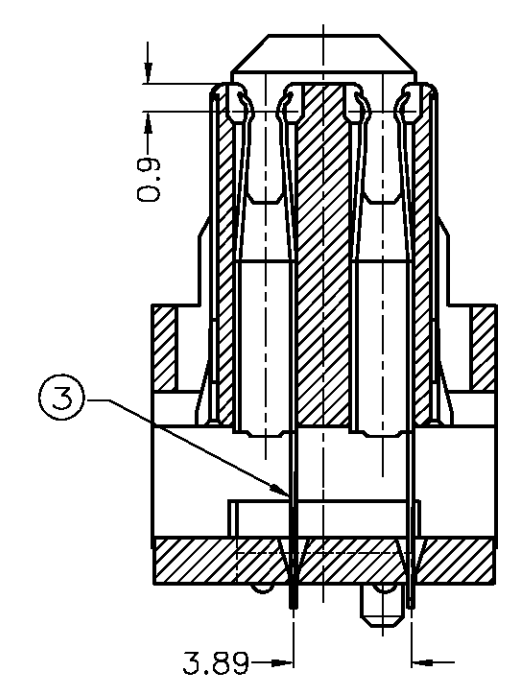


DETAIL C  
(SCALE 8:1)

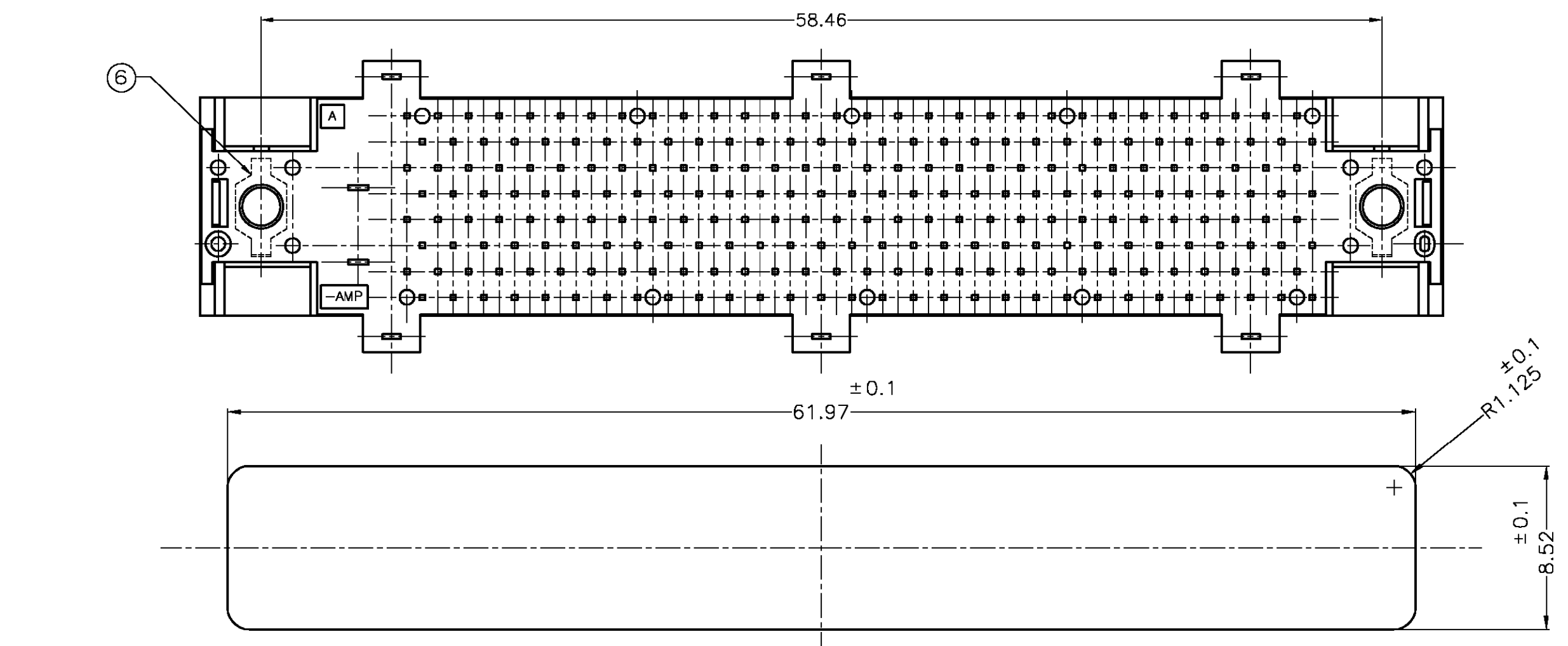
極数  
 SIGNAL 223P  
 MODEM 2P  
 LAN 5P  
 VOID 10P  
 POWER 2P



SECT A-A (SIGNAL)  
(ROTATED CW90°)



SECT B-B (POWER)  
(ROTATED CW90°)



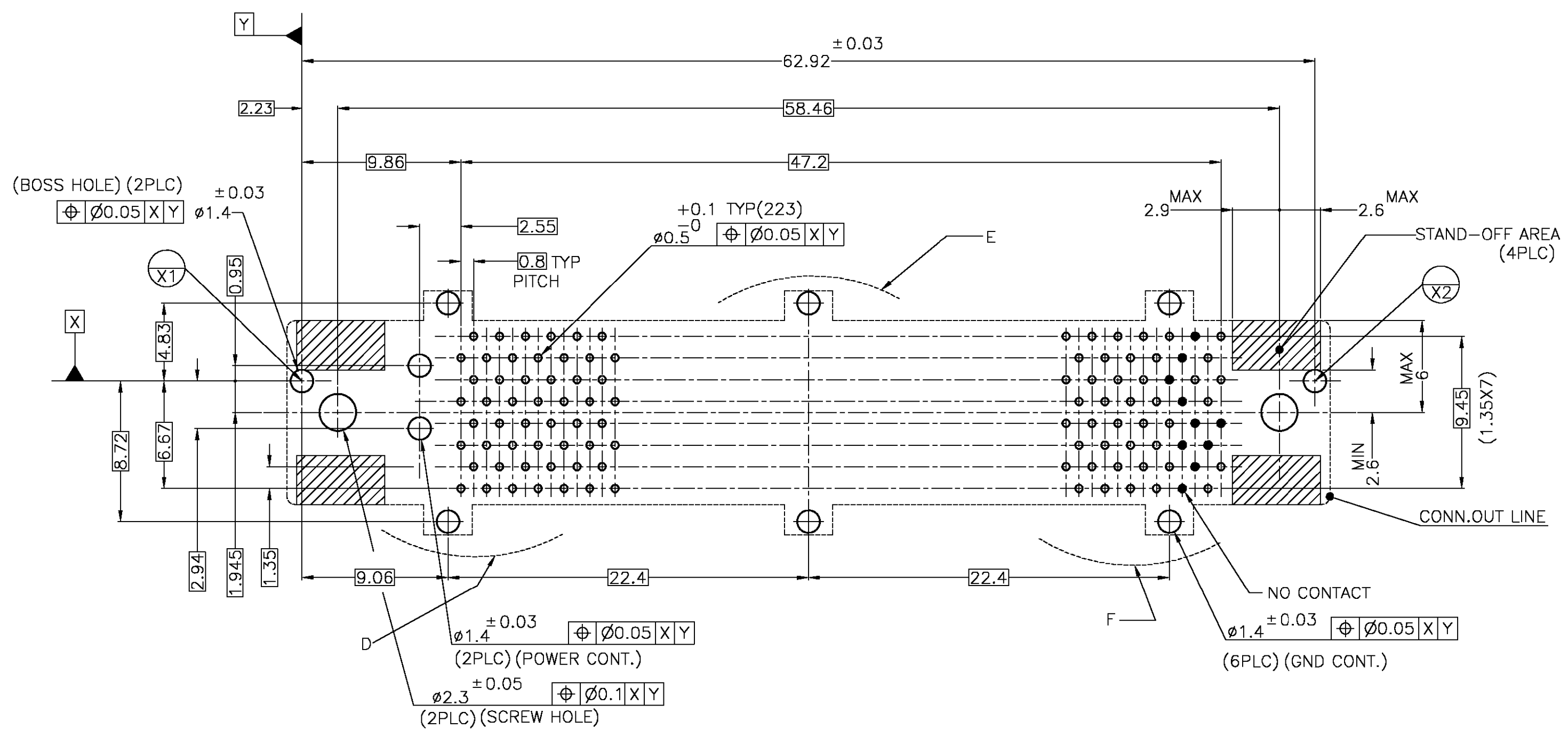
REFERENCE PANEL OPENING DIM.  
 参考パネル開口寸法

THIS DRAWING IS A CONTROLLED DOCUMENT.		DWN N.SASAME 13APR2001	Tyco Electronics AMP K.K. Kawasaki, Japan
DIMENSIONS: MM		CHK S.HASHIMOTO 13APR2001	
TOLERANCES UNLESS OTHERWISE SPECIFIED:		APVD H.SHIRAI 13APR2001	
0-PLG ± 1-PLG ± ±0.3 2-PLG ± ±3° 3-PLG ± ±3° 4-PLG ± ANGLES ± FINISH ±		NAME REC ASSY "V" (240P + POWER 2P) FOR 0.8 mm PITCH DOCKING CONN.	SIZE A2
MATERIAL SEE NOTE		PRODUCT SPEC 108-5742 APPLICATION SPEC	CAGE CODE 00779
SEE NOTE		WEIGHT CUSTOMER DRAWING	DRAWING NO 1473470
		SCALE 4:1	RESTRICTED TO -
		SHEET 1 OF 2	REV 0

1473470

THIS DRAWING IS UNPUBLISHED.  
 RELEASED FOR PUBLICATION 2001.  
 © COPYRIGHT 2001 BY TYCO ELECTRONICS CORPORATION. ALL RIGHTS RESERVED.

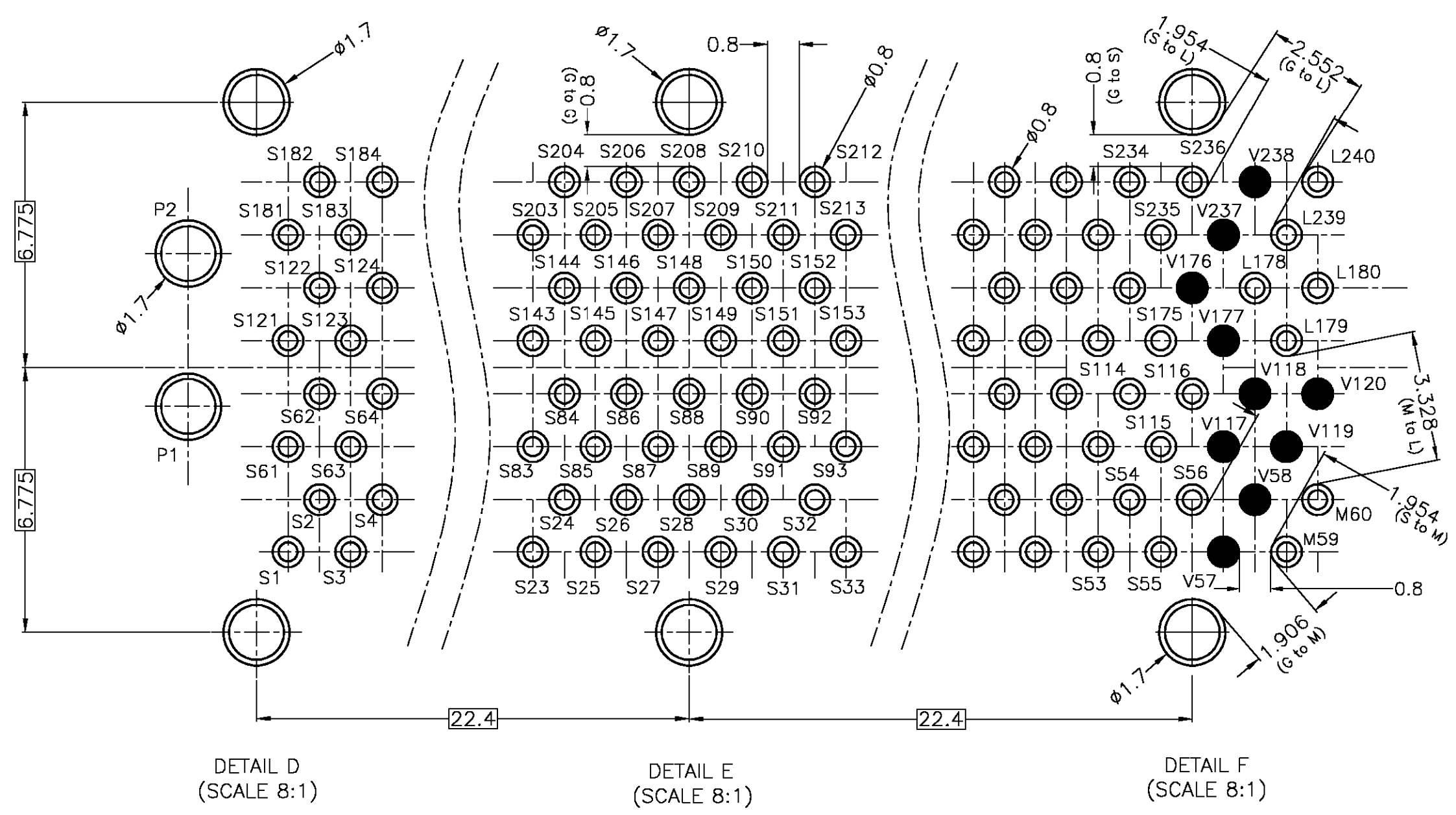
LOC	DIST	REVISIONS					
		P	LTR	DESCRIPTION	DATE	DWN	APVD
J							



RECOMMENDED PC BOARD DIMENSIONS (MOUNTING SIDE)  
 推奨基板寸法 (実装面)

**注記**  
**△材質**  
 ハウジング : 熱可塑性樹脂 UL94V-0, 黒  
 タイムプレート : 熱可塑性樹脂 UL94V-0, 黒  
 シグナルコンタクト : 銅合金  
 パワーコンタクト : 銅合金  
 グランドプレート : 銅合金  
 ナット : ステンレス鋼  
**△仕上**  
 シグナルコンタクト & パワーコンタクト :  
 ニッケル下地接点部金めっき、はんだ付け部はんだめっき  
 グランドプレート : 銅下地すずめっき  
 3 適用基板厚 : 1.2±0.1mm  
 4 かん合相手型番 : 1473463-1, 1473463-3  
 △推奨ねじ締め付けトルク : 0.15N・m (1.5kgf・cm) から 0.2N・m (2kgf・cm)  
 △適用極 No. : 1~120極間 : 偶数極、121~240極間 : 奇数極に適用。  
 △適用極 No. : 1~120極間 : 奇数極、121~240極間 : 偶数極に適用。

**NOTE**  
**△ MATERIAL**  
 HOUSING : THERMOPLASTIC, UL94V-0, BLACK  
 TIME PLATE : THERMOPLASTIC, UL94V-0, BLACK  
 SIGNAL CONTACT : COPPER ALLOY  
 POWER CONTACT : COPPER ALLOY  
 GROUND PLATE : COPPER ALLOY  
 NUT : STAINLESS STEEL  
**△ FINISH**  
 SIGNAL CONTACT & POWER CONTACT  
 Au Pl. ON CONTACT AREA  
 Sn-Pb Pl. ON SOLDER AREA  
 Ni UNDER Pl. ALL OVER  
 GROUND PLATE  
 Sn-Pb Pl. ALL OVER  
 Cu Pl. UNDER Pl. ALL OVER  
 3 APPLICABLE THICKNESS OF P.C.BOARD : 1.2±0.1mm  
 4 CONNECTOR TO BE MATED : 1473463-1, 1473463-3  
 △ RECOMMENDED TIGHTENING TORQUE : FROM 0.15N・m (1.5kgf・cm)  
 TO 0.2N・m (2kgf・cm)  
 △ APPLICABLE POSITION NUMBER ;  
 1~120 POS. : APPLICABLE TO EVEN NUMBER POSITION  
 121~240 POS. : APPLICABLE TO ODD NUMBER POSITION  
 △ APPLICABLE POSITION NUMBER ;  
 1~120 POS. : APPLICABLE TO ODD NUMBER POSITION  
 121~240 POS. : APPLICABLE TO EVEN NUMBER POSITION



2	NUT	6
1	TIME PLATE	5
2	GROUND PLATE	4
2	POWER CONTACT	3
230	SIGNAL CONTACT	2
1	HOUSING	1
-1	NAME	ITEM NO.

THIS DRAWING IS A CONTROLLED DOCUMENT.

DIMENSIONS: MM	TOLERANCES UNLESS OTHERWISE SPECIFIED:	DWN	CHK	APVD	NAME
	0-PLC ± 0.3				AMP Tyco Electronics AMP K.K. Kawasaki, Japan
	1-PLC ± 0.3				REC ASSY "V" (240P + POWER 2P)
	2-PLC ± 3°				FOR 0.8 mm PITCH DOCKING CONN.
	3-PLC ± 3°				SIZE CAGE CODE DRAWING NO RESTRICTED TO
	4-PLC ± 3°				A2 00779 C-1473470
MATERIAL	FINISH	WEIGHT	CUSTOMER DRAWING		
SEE NOTE	SEE NOTE		SCALE	SHEET	REV
			4:1	2 OF 2	0

1473470