

THIS DRAWING IS UNPUBLISHED.

RELEASED FOR PUBLICATION

20

© COPYRIGHT 20


BY -

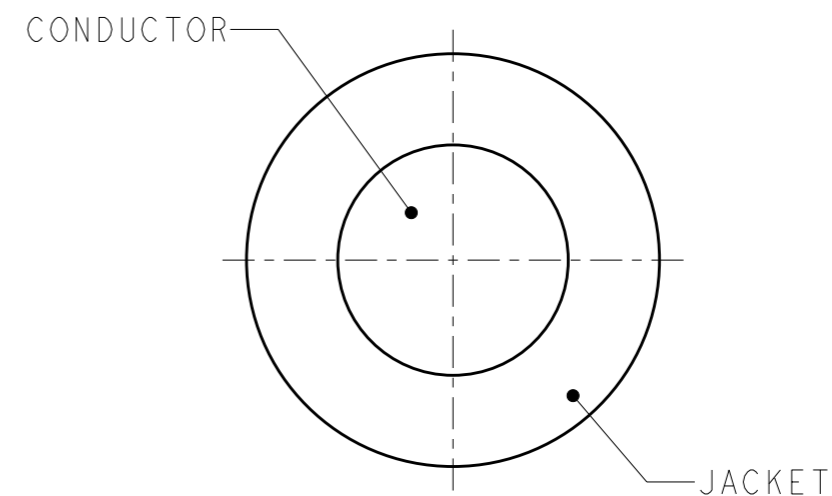
ALL RIGHTS RESERVED.

LOC FT DIST 0

REVISIONS

P	LTR	DESCRIPTION	DATE	DWN	APVD
	C3	REVISED PER ECO-11-005027	15MAR2011	RK	HMR

1. CONDUCTOR
NOMINAL STRANDING: 104/0100
NOMINAL DIAMETER: .120
2. JACKET CONSTRUCTION
OUTSIDE DIAMETER: .215±.005
COLOR: BLACK
3. MARKING
TE CONNECTIVITY 10 AWG (5.26mm²) XHHW-2 OR XHH OR RHW-2 OR RHH SR OR USE-2 SUNLIGHT RESISTANT (UL) 600V VWI UL LISTED.
4.  PART COMES IN 30" DRUM.
5. ALL MATERIALS AND FINISHES SHALL COMPLY WITH EU DIRECTIVE 2002/95/EC OF 27JAN2003 (ROHS).



1000 FT REEL	1986164-3
500 FT REEL	1986164-2
5000 FT REEL	1986164-1
CABLE LENGTH	PART NUMBER

THIS DRAWING IS A CONTROLLED DOCUMENT.		DWN S. WELDON 03APR2007	STE TE Connectivity													
DIMENSIONS: INCHES		CHK M. STRECKEWALD 03APR2007														
TOLERANCES UNLESS OTHERWISE SPECIFIED:		APVD M. STRECKEWALD 03APR2007	NAME SOLAR CABLE, UL-LISTED, 10 AWG													
<table border="0"> <tr><td>0 PLC</td><td>±-</td></tr> <tr><td>1 PLC</td><td>±.1</td></tr> <tr><td>2 PLC</td><td>±.02</td></tr> <tr><td>3 PLC</td><td>±.005</td></tr> <tr><td>4 PLC</td><td>±.0005</td></tr> <tr><td>ANGLES</td><td>±-</td></tr> </table>		0 PLC	±-	1 PLC	±.1	2 PLC	±.02	3 PLC	±.005	4 PLC	±.0005	ANGLES	±-	PRODUCT SPEC	-	
0 PLC	±-															
1 PLC	±.1															
2 PLC	±.02															
3 PLC	±.005															
4 PLC	±.0005															
ANGLES	±-															
MATERIAL -		APPLICATION SPEC	-													
FINISH -		WEIGHT -	SIZE A3	CAGE CODE 00779												
		CUSTOMER DRAWING	DRAWING NO C-1986164	RESTRICTED TO -												
			SCALE 10:1	SHEET 1 OF 1 REV C3												