

## CONTINUOUS HINGE WITH QUICK-RELEASE LATCH, TYPE 12



### INDUSTRY STANDARDS

UL 50, 50E Listed; Type 12, 13; File No. E27567  
 cUL Listed per CSA C22.2 No. 94; Type 12, 13; File No. E27567  
 UL 508A Listed; Type 12, 13; File No. E61997  
 cUL Listed per CSA C22.2 No. 94; Type 12, 13; File No. E61997

NEMA Type 12 and 13  
 IEC 60529, IP65

### APPLICATION

A continuous hinge door with quick-release flip latches provides convenient access to enclosed components in a wide variety of applications.

### SPECIFICATIONS

- 16 or 14 gauge steel
- Seams continuously welded and ground smooth
- Continuous hinge
- Bonding provision on door
- Quick-release latches
- External welded-on mounting brackets for easy installation
- Oil-resistant gasket
- Weldnuts provided for mounting optional panels and terminal block kits

### FINISH

ANSI 61 gray polyester powder paint inside and out

### ACCESSORIES

See also *Accessories*.

Panels for Junction Boxes

Junction Box and Wall-Mount Enclosure Swing Out Panel Kit

Terminal Block Kit Assembly for Junction Boxes Overview

Steel and Stainless Steel Window Kits

### MODIFICATION AND CUSTOMIZATION

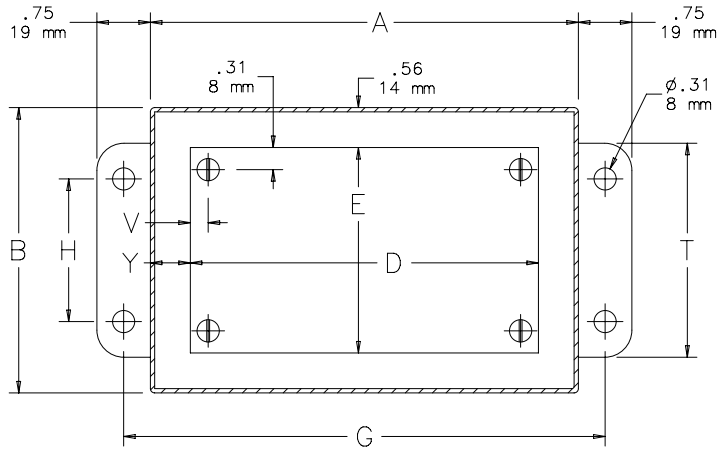
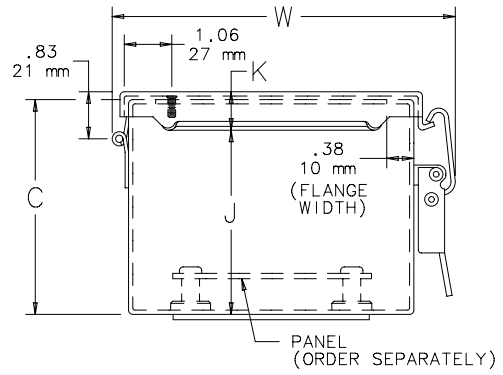
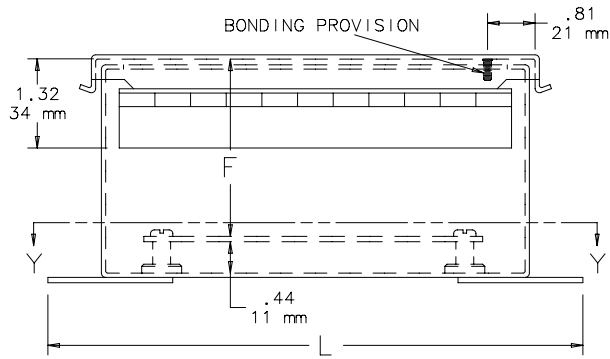
Hoffman excels at modifying and customizing products to your specifications. Contact your local Hoffman sales office or distributor for complete information.

### BULLETIN: A51

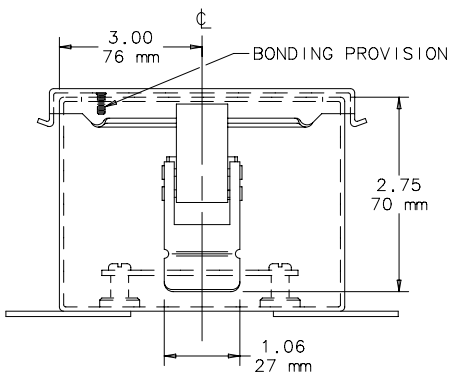
### Standard Product

Catalog Number	AxBxC in./mm	Gauge	UL Listed	Panel	Conductive Panel	Panel Size D x E in./mm	Mounting G x H in./mm	Overall L x W in./mm	F in./mm	J in./mm	K in./mm	T in./mm	V in./mm	Y in./mm
A604CHQR	6.00 x 4.00 x 3.00 152 x 102 x 76	16	508A	A6P4	A6P4G	4.88 x 2.88 124 x 73	6.75 x 2.00 171 x 51	7.50 x 4.81 191 x 122	2.53 64	2.62 66	0.54 14	3.00 76	0.31 8	0.56 14
A806CHQR	8.00 x 6.00 x 3.50 203 x 152 x 89	14	50, 50E	A8P6	A8P6G	6.75 x 4.88 171 x 124	8.75 x 4.00 222 x 102	9.51 x 6.81 241 x 173	3.03 77	3.12 79	0.56 14	5.00 127	0.25 6	0.62 16
A606CHQR	6.00 x 6.00 x 4.00 152 x 152 x 102	16	50, 50E	A6P6	A6P6G	4.88 x 4.88 124 x 124	6.75 x 4.00 171 x 102	7.50 x 6.81 191 x 173	3.53 90	3.62 92	0.54 14	5.00 127	0.31 8	0.56 14
A1008CHQR	10.00 x 8.00 x 4.00 254 x 203 x 102	14	50, 50E	A10P8	A10P8G	8.75 x 6.88 222 x 175	10.75 x 6.00 273 x 152	11.50 x 8.81 292 x 224	3.53 90	3.62 92	0.56 14	7.00 178	0.25 6	0.62 16
A1210CHQR	12.00 x 10.00 x 5.00 305 x 254 x 127	14	50, 50E	A12P10	A12P10G	10.75 x 8.88 273 x 226	12.75 x 8.00 324 x 203	13.50 x 10.81 343 x 275	4.53 115	4.62 117	0.56 14	9.00 229	0.25 6	0.62 16
A1412CHQR	14.00 x 12.00 x 6.00 356 x 305 x 152	14	50, 50E	A14P12	A14P12G	12.75 x 10.88 324 x 276	14.75 x 10.00 375 x 254	15.50 x 12.81 394 x 325	5.53 140	5.62 143	0.56 14	11.00 279	0.25 6	0.62 16
A1614CHQR	16.00 x 14.00 x 6.00 406 x 356 x 152	14	50, 50E	A16P14	A16P14G	14.75 x 12.88 375 x 327	16.75 x 12.00 425 x 305	17.50 x 14.81 445 x 376	5.53 140	5.62 143	0.56 14	13.00 330	0.25 6	0.62 16

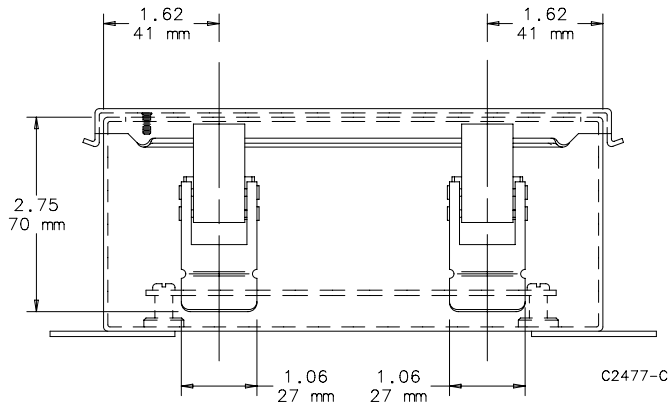
Purchase panels separately. Optional stainless steel, conductive, composite and aluminum panels are available for most sizes.



SECTION Y-Y



A ≤ 8.00 (203mm)



A ≥ 8.00 (203mm)

C2477-C