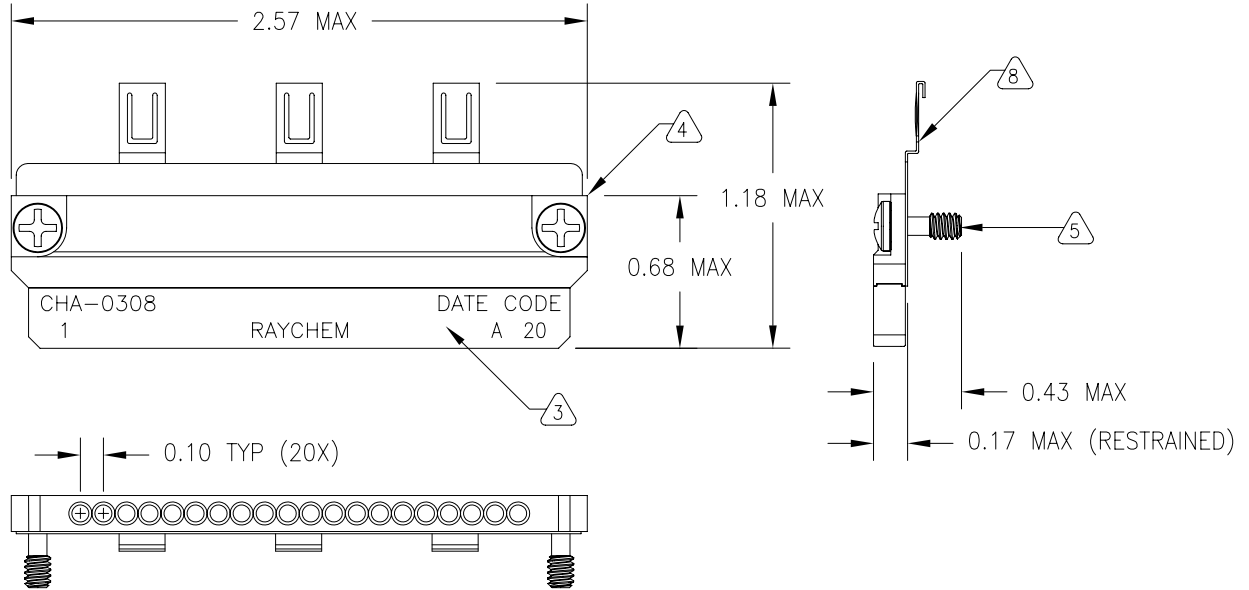


If this document is printed it becomes uncontrolled.  
Check for the latest revision.

REVISION		
REV	DESCRIPTION	DATE
C	REVISED PER DCR C041090	11OCT2004



Notes:

- Application: Electroless Nickel MTC SH2 Plug Shells
- For Use With MIL-C 39029/58-360, Size 22 Contacts
- End Cap: Glass Filled Nylon, Flame Retardant, Black
- Main Body: Aluminum, Electroless Nickel Plated
- Screws: 4-40 Phillips Head, A-286 CRES, Passivated, Captive, Self-Locking
- Electrical Contacts: Brass / Beryllium Copper, Gold Plated
- Markings: High Contrast Ink
- Bus Bar, Beryllium Copper, Electroless Nickel Plated
- Meets Raychem Specification C-6114 Requirements
- Contact Cavity Bore Dia, Plated: .0685/0690 (REF)

© 2004 TYCO ELECTRONICS CORPORATION. ALL RIGHTS RESERVED.

SPECIFICATION CONTROL DRAWING					
UNLESS OTHERWISE SPECIFIED DIMENSIONS ARE INCHES. METRIC DIMENSIONS ARE IN BRACKETS.	DRAWN	DATE	<b>tyco</b> <b>Electronics</b>	TYCO ELECTRONICS 300 CONSTITUTION DRIVE MENLO PARK, CA 94025	Raychem
	T RATZLAFF	26MAR2004			
DECIMAL TOLERANCES .XXX ± 0.005 [ 0.13 mm] .XX ± 0.010 [ 0.25 mm] .X ± 0.020 [ 0.50 mm]	MATERIAL	TITLE			
ANGLE TOLERANCE .X ± 0.5 DEG.	SEE NOTES	2-INCH MTC GROUNDING BLOCK WITH FINGERS			
WEIGHT (NOM) LBS. 0.0216 [ 9.8 gm]	FINISH	SIZE			
CAD FILE	SEE NOTES	A	CAGE CODE	DWG. NO.	<b>CHA-0308</b>
C041090.DWG	THIRD ANGLE PROJECTION	06090		DO NOT SCALE THIS DRAWING	
			SHEET 1 OF 1		