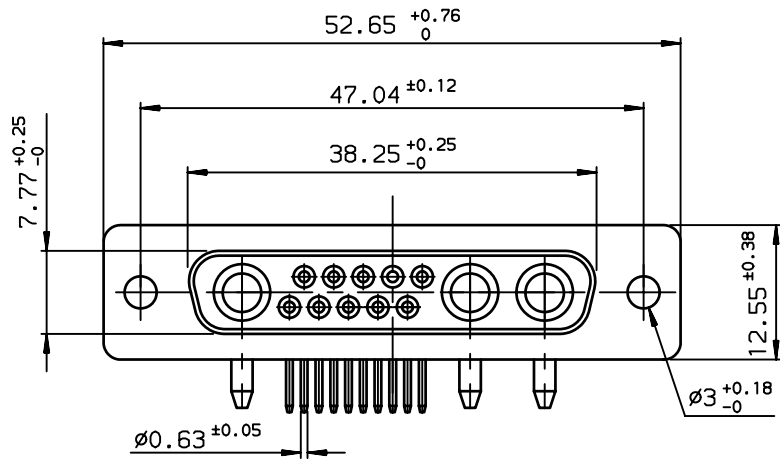


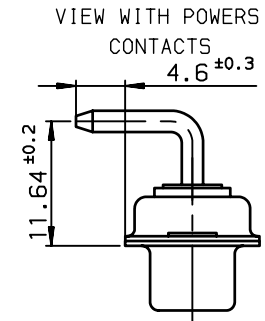
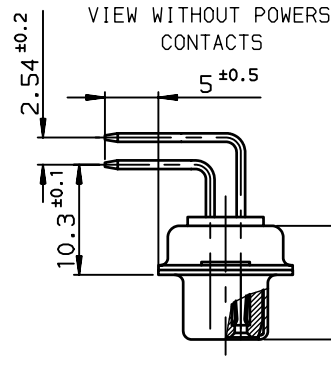
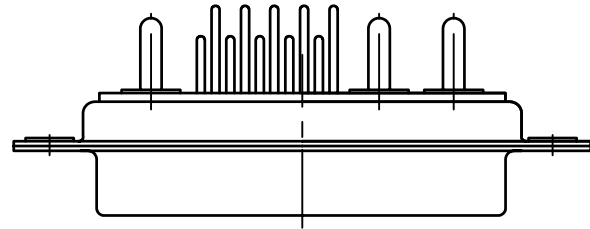
A

A



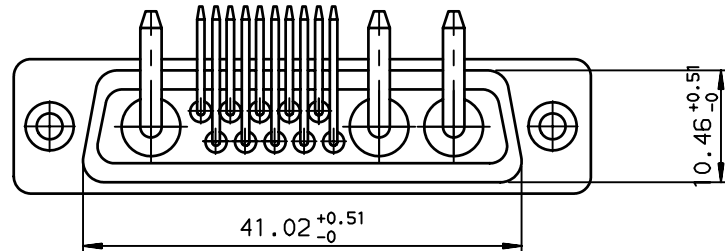
B

B



C

C



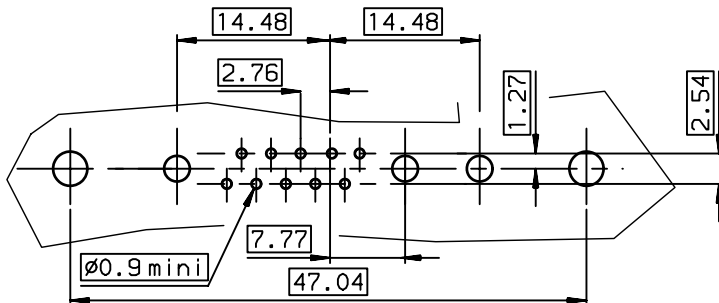
TIN LEAD PART NUMBER

DB13W3S500A30
PART NUMBER

LEAD FREE PART NUMBER

DB13W3S500A30LF
PART NUMBER

LAYOUT DIMENSIONS (after plating)
CONNECTOR SIDE VIEW



GENERAL CHARACTERISTICS AND ROHS INFORMATIONS:
SEE DRAWING C01-8639-0001

European Views

www.fciconnect.com		surface ISO 1302 ✓	tolerance std ISO 406 ISO 1101	projection mm
		TOLERANCES UNLESS OTHERWISE SPECIFIED		
Dr	JARRY	2001/01/08	0.X ±0.1	size A3
Eng	PESSON	2001/01/08	0.XX ±0.1	Scale 2
Chr	LEGARE	2001/01/08	0.XX' ±2'	ECN LS06-0095
Appr	LEGARE	2001/01/08	0.XXX ±0.1	Spec ref -
		Product family	D-SUB	
		SOCKET CONNECTOR FOR POWERS CONTACTS .		Rev. D
catalog no		-		dwg no C01-8639-1809
		CUSTOMER		sheet 1 of 1

rev	ecn no	dr	date
B	-	DEB	2003/10/01
C	LS05-001	MPE	2005/03/09
D	LS06-0095	LGO	2006/06/27
-	-	-	-
-	-	-	-
-	-	-	-

Copyright FCI.