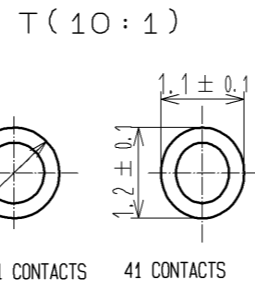


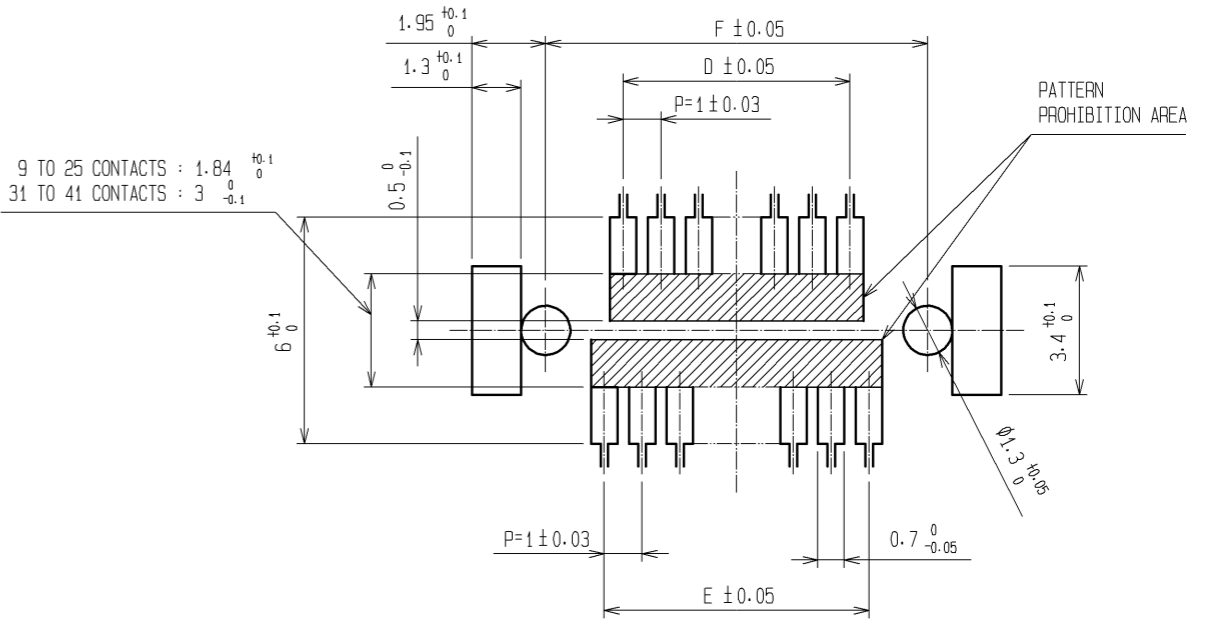
9 TO 25 CONTACTS : $1.84^{+0.1}_{-0.1}$
 31 TO 41 CONTACTS : $3^{+0.1}_{-0.1}$

POLARIZATION MARK

9 TO 25 CONTACTS : $1^{+0.1}_{-0.1}$
 31 TO 41 CONTACTS : $0.8^{+0.1}_{-0.15}$



RECOMMENDED PATTERN



PART No.	CODE No.	NUMBER OF CONTACTS	A	B	C	D	E	F
DF9- 9P-1V(32)	CL540-0066-9-32	9	10.1	8.3	6.6	3	4	7.1
DF9-11P-1V(32)	CL540-0067-1-32	11	11.1	9.3	7.6	4	5	8.1
DF9-13P-1V(32)	CL540-0068-4-32	13	12.1	10.3	8.6	5	6	9.1
DF9-15P-1V(32)	CL540-0069-7-32	15	13.1	11.3	9.6	6	7	10.1
DF9-17P-1V(32)	CL540-0070-6-32	17	14.1	12.3	10.6	7	8	11.1
DF9-19P-1V(32)	CL540-0071-9-32	19	15.1	13.3	11.6	8	9	12.1
DF9-21P-1V(32)	CL540-0072-1-32	21	16.1	14.3	12.6	9	10	13.1
DF9-23P-1V(32)	CL540-0073-4-32	23	17.1	15.3	13.6	10	11	14.1
DF9-25P-1V(32)	CL540-0074-7-32	25	18.1	16.3	14.6	11	12	15.1
DF9-31P-1V(32)	CL540-0075-0-32	31	21.1	19.3	17.6	14	15	18.1
DF9-41P-1V(32)	CL540-0214-4-32	41	26.1	24.3	22.6	19	20	23.1

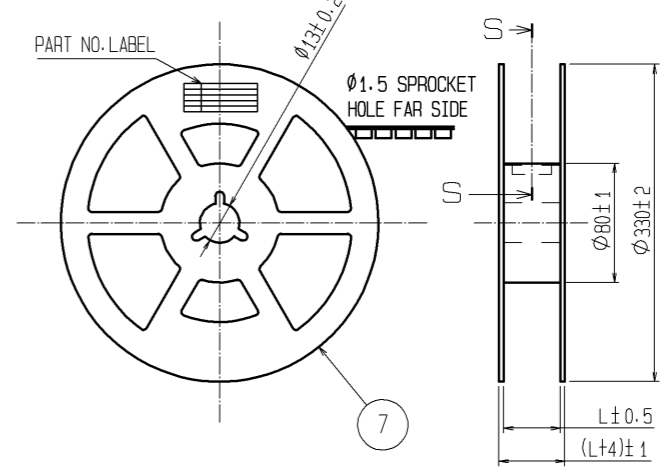
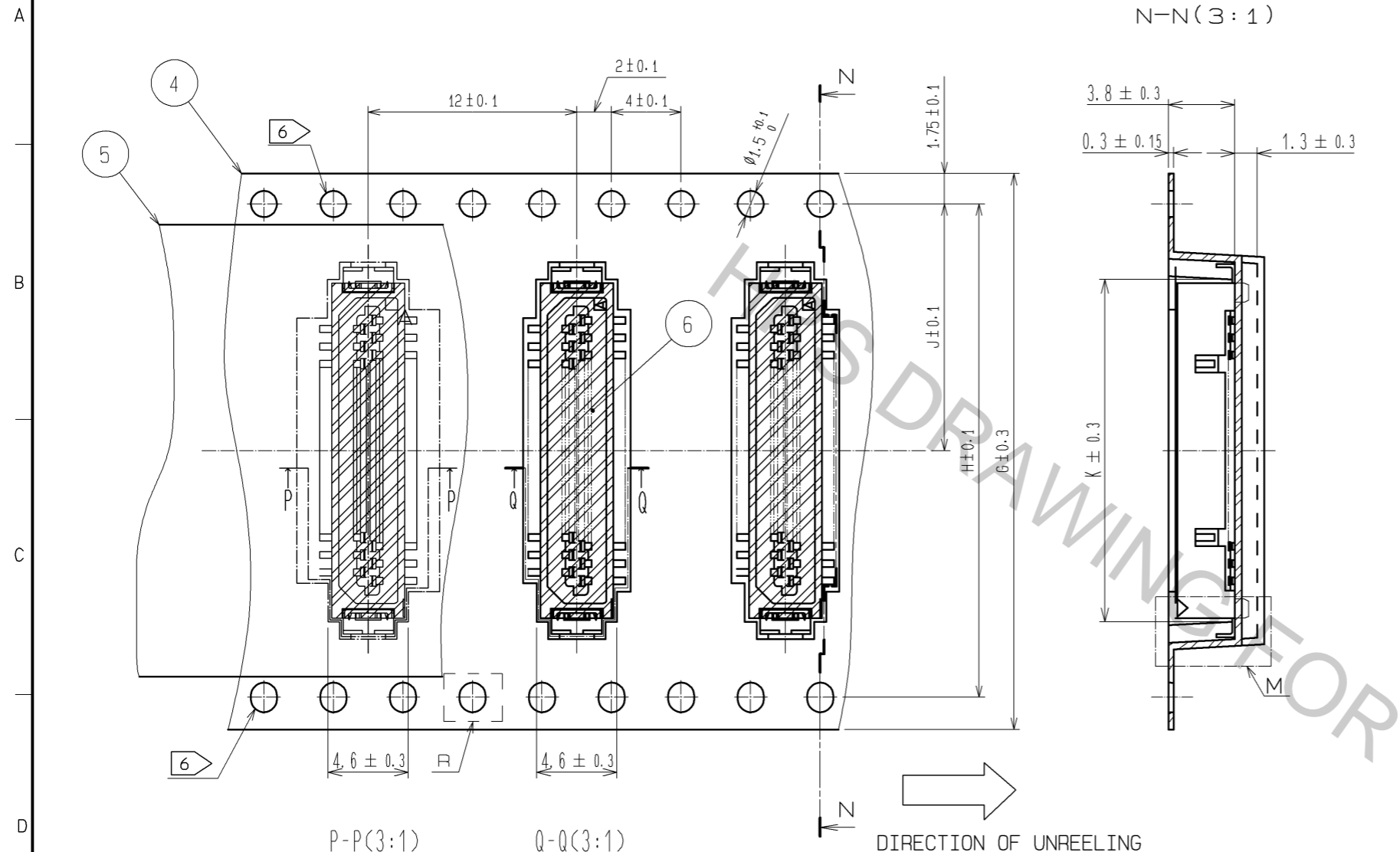
- NOTES 1 : LEAD CO-PLANARITY INCLUDE REINFORCED METAL FITTINGS SHALL BE 0.1mm MAX.
 2 HRS MARK AND CAV NO. ARE INDICATED IN APPROX POSITION SHOWN.
 3 9 TO 25 CONTACT CONNECTORS HAVE ONE LOCK AT CENTER OF HOUSING.
 31 TO 41 CONTACT CONNECTORS HAVE TWO LOCKS AS PER DRAWING.

NO.	MATERIAL	FINISH . REMARKS	NO.	MATERIAL	FINISH . REMARKS
3	BRASS	SURFACE:TIN PLATED(REFLOW FINISH)1 μ m min UNDER PLATING:COPPER 0.3 μ m min	8	PS	REINFORCEMENT COLLAR
2	PHOSPHOR BRONZE	TIN PLATED(HOT DIP) 1 μ m min	7	PS	BLACK(PLASTIC REEL)
1	POLYAMIDE	BEIGE, UL94V-0	6	POLYIMIDE	BROWN(HEAT-RESISTANCE TAPE)
			5	POLYESTER	CLEAR(COVER TAPE)
			4	PS	CLEAR(EMBOSSD CARRIER TAPE)

UNITS	SCALE	COUNT	DESCRIPTION OF REVISIONS	DESIGNED	CHECKED	DATE
mm	5 : 1	△				
APPROVED : KH. IKEDA			12.02.27	DRAWING NO. EDC3-341298-01		
CHECKED : AR. TAKAHASHI			12.02.24	PART NO. DF9-*P-1V(32)		
DESIGNED : SH. HOSODA			12.02.24	CODE NO. CL540-		
DRAWN : KR. AJITO			12.02.24			

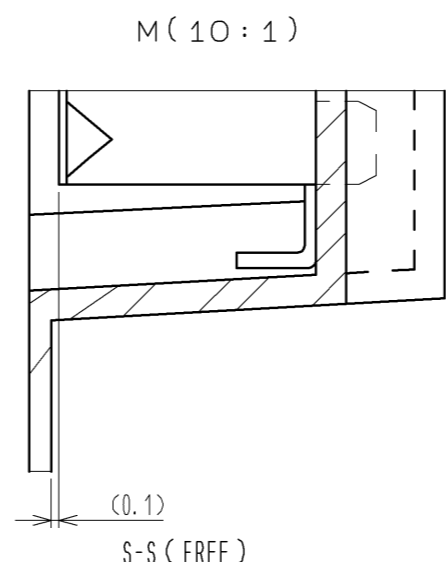
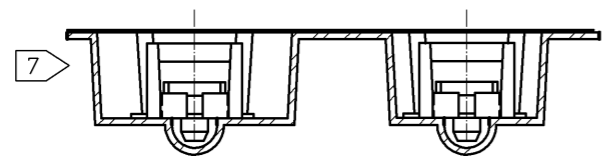
Apr.1.2017 Copyright 2017 HIROSE ELECTRIC CO., LTD. All Rights Reserved.

STYLE AND DIMENSION OF REEL (FREE)



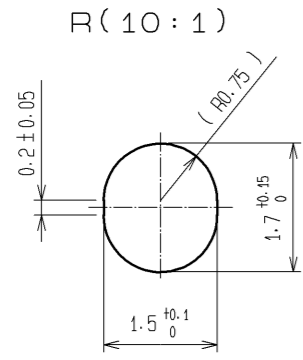
PART No.	CODE No.	NUMBER OF CONTACTS	G	H	J	K	L
DF9- 9P-1V(32)	CL540-0066-9-32	9	24	-	11.5	8.7	25.5
DF9-11P-1V(32)	CL540-0067-1-32	11	24	-	11.5	9.7	25.5
DF9-13P-1V(32)	CL540-0068-4-32	13	24	-	11.5	10.7	25.5
DF9-15P-1V(32)	CL540-0069-7-32	15	24	-	11.5	11.7	25.5
DF9-17P-1V(32)	CL540-0070-6-32	17	24	-	11.5	12.7	25.5
DF9-19P-1V(32)	CL540-0071-9-32	19	24	-	11.5	13.7	25.5
DF9-21P-1V(32)	CL540-0072-1-32	21	24	-	11.5	14.7	25.5
DF9-23P-1V(32)	CL540-0073-4-32	23	32	28.4	14.2	15.7	33.5
DF9-25P-1V(32)	CL540-0074-7-32	25	32	28.4	14.2	16.7	33.5
DF9-31P-1V(32)	CL540-0075-0-32	31	32	28.4	14.2	19.7	33.5
DF9-41P-1V(32)	CL540-0214-4-32	41	44	40.4	20.2	24.7	45.5

DIRECTION OF UNREELING



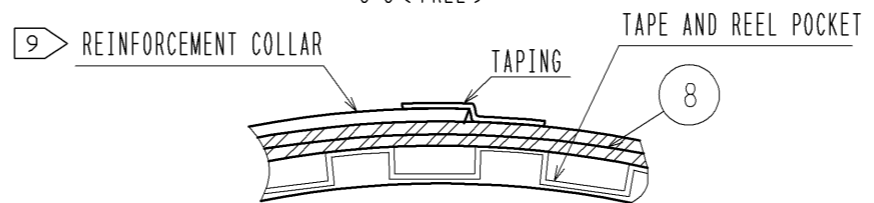
- NOTES
- 4 : 1 REEL 1000 CONNECTORS.
 - 5 : AT THE BEIGINNING OF THE REEL, 30 COMPONENTS SHALL BE EMPTY. AT THE END OF THE REEL, 20 COMPONENTS SHALL BE EMPTY.
 - 6 LET THE SENDING HOLE OF 9 TO 21 CONTACTS BE ONLY THE UPPER ONE SIDE TOWARD A DRAWING. THE SENDING HOLE OF 23 OR MORE CONTACTS IS ESTABLISHED IN BOTH SIDES, AS SHOWN IN A FIGURE.
 - 7 A POCKET SHAPE IS DIFFERET AT INTERVALS OF EACH CAVITY NUMBER TO AVOID OVERLAP.
 - 8 : PEEL FORCE REFERS TO JIS C 0806.
 - 9 AFTER PACKING, ROLL 2 METERS OF THE REINFORCEMENT COLLAR TO OUTER CIRCUMFERENCE OF TAPE AND REEL POCKET, AND TAPE DOWN AT THE END THE COLLAR.

DETAIL OF PART NO. LABEL



- SUPPLIER
- QUANTITY
- PART NO.
- CODE NO.
- DATE OF MANUFACTURED

生産月日	年 月 日
図番	CL540-****-**-32
品名	DF9-*P-1V(32)
納入数量	1000K0
納入者	ヒロセ電機(株)



HRS	DRAWING NO.	EDC3-341298-01
	PART NO.	DF9-*P-1V(32)
	CODE NO.	CL540-