

LFPXV TOUCH-SAFE FUSE HOLDERS

1500 V • 30 A



Description

The Littelfuse LFPXV fuse holder is designed to hold 1500 V 10x85mm fuses.

Features/Benefits

- Finger-Safe design offers personnel protection
- No fuse pullers or tools required for fuse removal
- 35 mm DIN Rail Mountable
- Evaluated for use with copper alloy busbars
- Compact design

Recommended Fuses

Littelfuse SPXV/SPXV-S Fuses

Web Resources

Download the complete datasheet and other technical documents: Littelfuse.com/lfpvx

Ordering Information

SERIES	VOLTAGE (Vdc)	POLES	CATALOG NUMBER	ORDERING NUMBER	PACK QTY	TERMINAL INFORMATION			
						TERMINAL TYPE	NUMBER OF WIRES	WIRE SIZE	TORQUE
LFPXV	1500	1	LFPXV001	LFPXV0001Z	20	Box Lug	1	4-14 AWG (25-2.5 mm ²)	24-28 lb-in (2.71-3.16 N-m)
							1	16-18 AWG (1.5-0.75 mm ²)	18-22 lb-in (2.03-2.49 N-m)
							2*	6-14 AWG (16-2.5 mm ²)	26-30 lb-in (2.94-3.69 N-m)
							2*	16-18 AWG (1.5-0.75 mm ²)	20-24 lb-in (2.26-2.71 N-m)

*Must be the same wire type and cross sectioned size

Specifications

Voltage Ratings	1500 Vdc
Amperage Rating	30 A
SCCR Rating	50 kA
Power Dissipation:	8W Maximum
Fuse Type	10x85mm
Material	Thermoplastic
	Fuse Clip: Silver plated copper alloy
	Screws: Zinc plated steel
Operating Temperature	-55°C to +125°C
Flammability Rating	UL94 V-0
Temperature Stability	Body: 130°C Carrier: 140°C
Approvals	UL 4248-19 Listed (File: E345481) IEC 60269-6
Environmental	RoHS compliant, Lead (Pb) free, REACH

WIRE TYPE	
75°C or 90°C CU Only Stranded	UL Class B and Class C wire
	AlphaWire PV series Photovoltaic Wire
	IEC Class 5 Flexible Wire

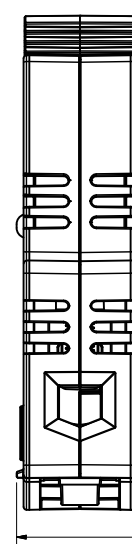
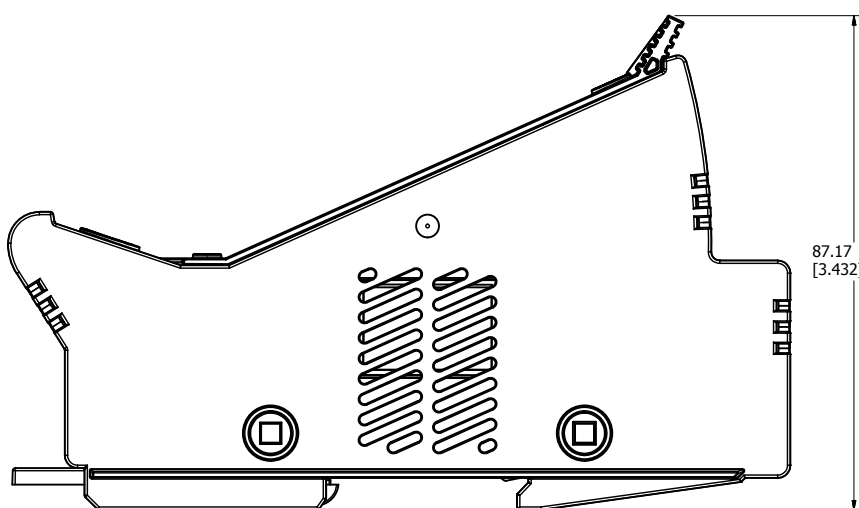
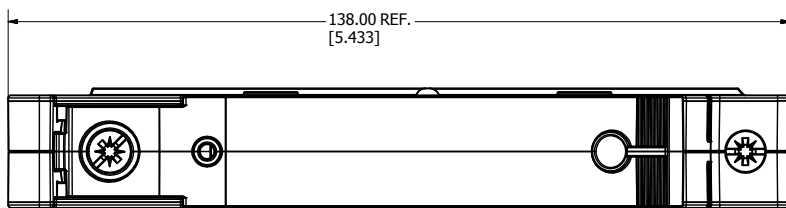
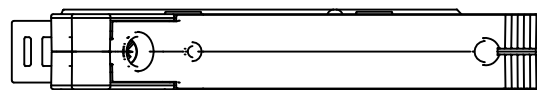
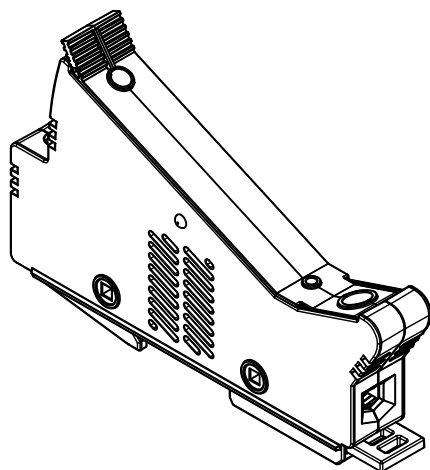
BUSBAR SPECIFICATIONS			
TERMINAL	THICKNESS	WIDTH	TORQUE
Maximum	0.188 in (4.78 mm)	0.290 in (7.37 mm)	24-28 lb-in (2.71-3.16 N-m)
Minimum	0.125 in (3.18 mm)	0.200 in (5.08 mm)	



Look for this logo to indicate products that are used in solar applications. Visit our website littelfuse.com/solar for the latest updates on approvals, certifications, and new products.

LFPXV TOUCH-SAFE FUSE HOLDERS

Dimensions Millimeters (in)



22.30 REF.
[0.878]



Look for this logo to indicate products that are used in solar applications. Visit our website littelfuse.com/solar for the latest updates on approvals, certifications, and new products.