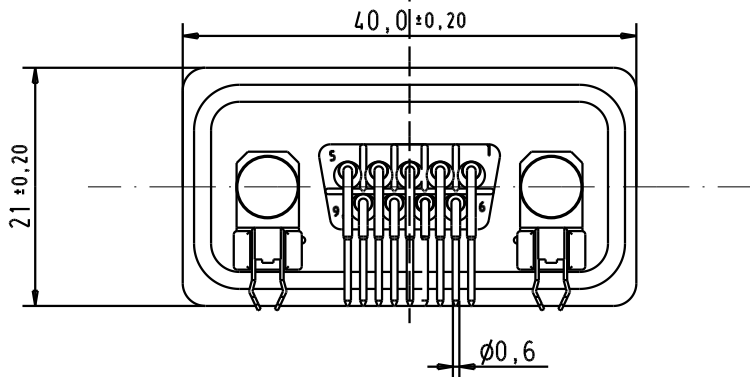
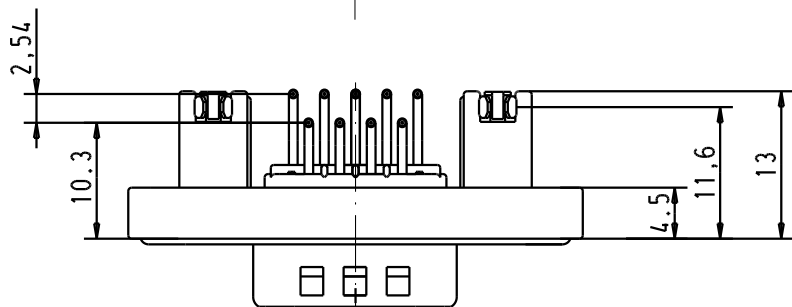
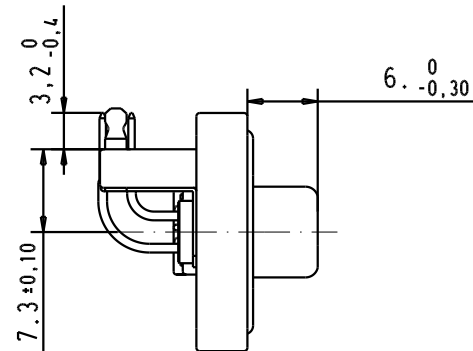
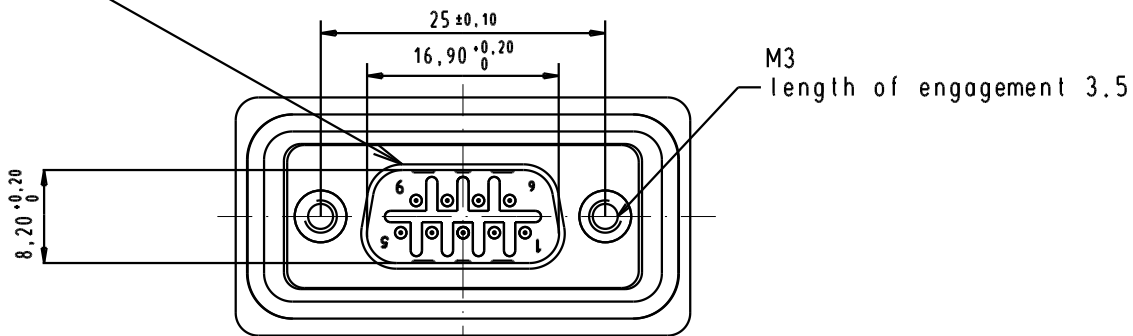


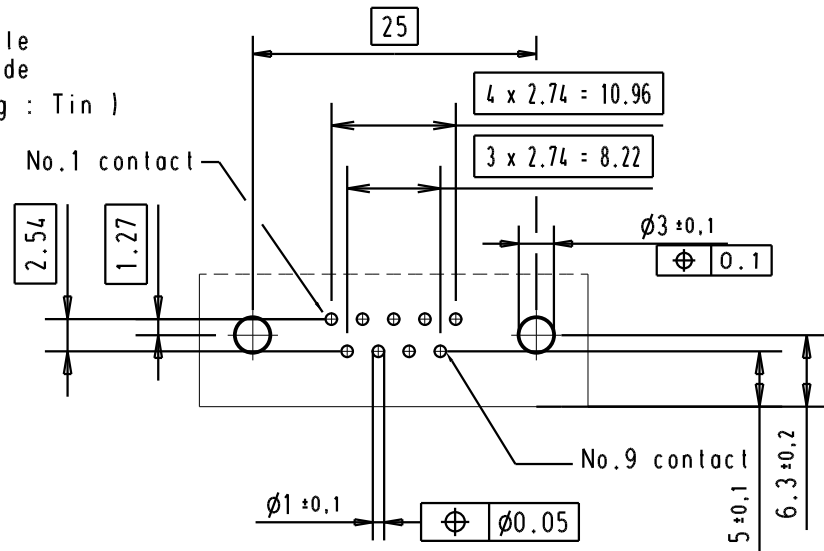
5 4 3 2 1

Mating face according to : MIL-C-24308 / DIN 41652 / CECC 75.01-802



1) Protection standard IP 67 according to IEC 529 / DIN 40050.

PCB layout hole component side  
(PCB holes plating : Tin)



A

09 67 509 9658	Au plating 0,76 µm mini
Part Number	Performance Level

			Dat.	Name
			Detail.	20/01/04 S.H.
			Insp.	
			Stand.	
31587	20/01/04	S.H.	HARTING ELEKTRONIK F-95972 Paris	
Mod.	Dat.	Name		



All Dim. in mm  
Orig. Size DIN A 4

D-SUB IP67 male 09 Poles  
angled solder pin with  
bracket and clip for 1.6mm PCB  
M3 nut

Maßstab/  
Scale



TB 09 67 509 9658

Blatt / Page

Sub.