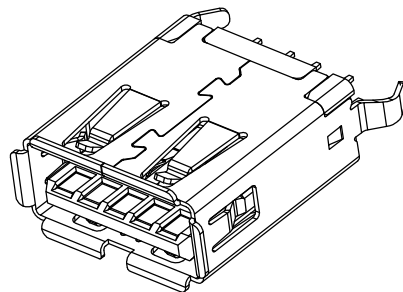
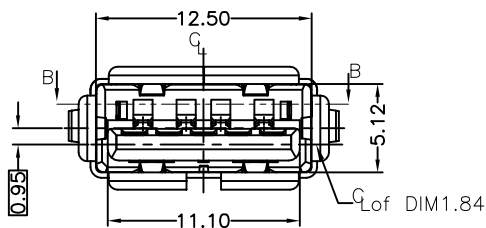
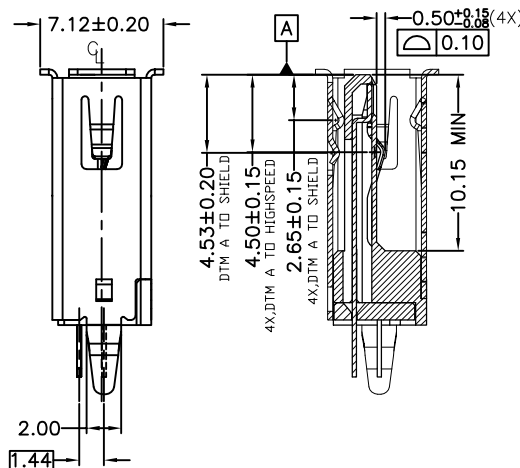
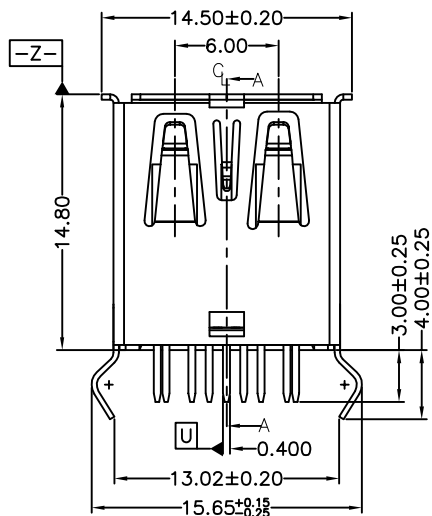


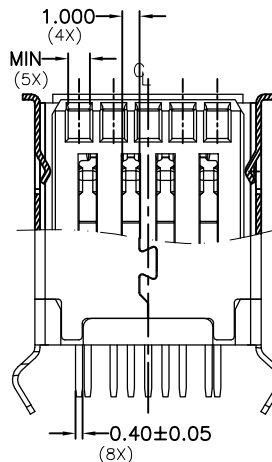
REVISION RECORD		
REV	DESCRIPTION	DRFT



NOTES:  
MATERIAL:  
1. HOUSING & COVER: PBT (UL 94V-0), COLOR: BLUE 300C ;  
2. SHIELD: BRASS; PLATING NICKEL OVER ALL.  
3. 4PIN CONTACT: PHOSPHOR BRONZE;  
5PIN CONTACT: BRASS;  
PLATING GOLD ON 5u" CONTACT AREA,  
PLATING TIN 100u" ON SOLDER AREA,  
NICKEL 50u" UNDERPLATING OVER ALL.

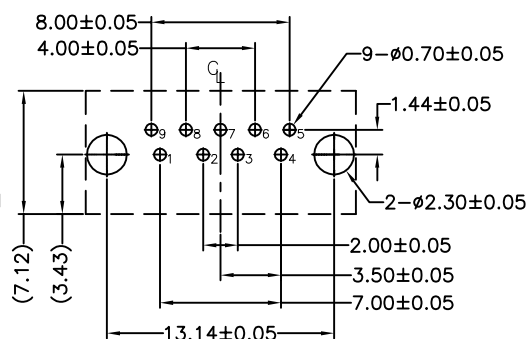
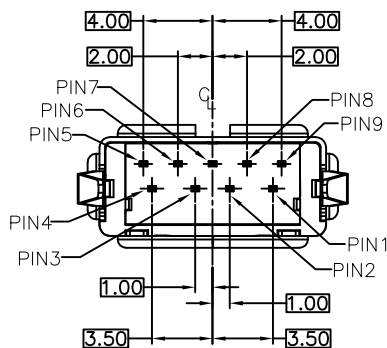


SECTION A-A  
SCALE 1:1

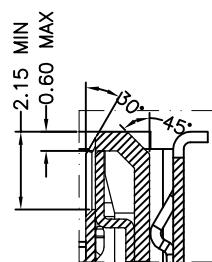


SECTION B-B  
SCALE 1:1

CHARACTERISTICS:  
1. CONTACT RESISTANCE: 30mΩ Max .FOR PIN 1 & PIN 4  
50mΩ MAX.FOR OTHER CONTACTS  
2. INSULATION RESISTANCE: 100MΩ Min.  
3. DIELECTRIC WITHSTANDING VOLTAGE: 100 VAC .  
4. MATING FORCE: 3.57Kgf MAX(35N Max)  
5. EXTRACTION FORCE: 1.02Kgf Min(10N Min)  
6. DURABILITY: 1500 CYCLES.  
7. OPERATION TEMPERATURE: -20°C to +80°C



RECOMMEND P.C.B HOLE LAYOUT  
TOP VIEW(TOLERANCE: 1.80±0.10)



DETAIL A  
SCALE 1:1

MM (INCH)		DFTD Roy	DATE 11/20/2012	Pulse Electronics		RoHS Compliant	
TOLERANCES EXCEPT AS NOTED		CHKD	DATE	TITLE			
MM		APPVL	DATE	RECEPTACLE, VERTICAL, THT			
.0 ± 0.20	±	MATERIAL :		DRAWING NO. E8199-002-01		SIZE	REV
.00 ± 0.10	±	QT'Y :		/PART NO. E8199-002-01		A3	01
.000 ± 0.05	±	FINISH :		DO NOT SCALE DRAWING		SHEET 1 OF 1	
ANGLES : X° ±2°		SCALE : 1:1					
THIRD ANGLE PROJECTION							