



Test Procedure for the NCP3063 (SOIC-8) Boost Evaluation Board

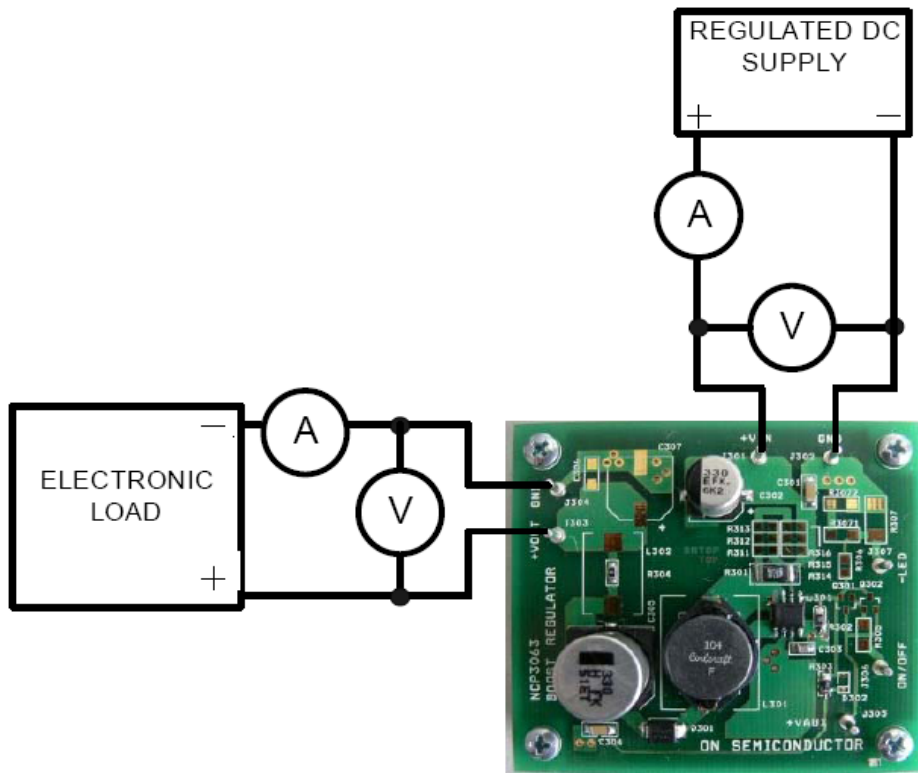


Figure 1 Test Setup

Table 1 Required Equipment

Voltage Supply (12V, 3A)	Voltage Meter	Electronic Load or Current Source
--------------------------	---------------	-----------------------------------

Test Procedure:

1. Connect the test setup as shown in Figure 1
2. Apply an input voltage, $V_{cc} = 12V$
3. Apply $I_{out} = 0A$ load
4. Check that V_{out} is 24V (23.9V-24.1V)
5. Increase I_{out} load to 350mA
6. Check that V_{out} is 24V (23.9V-24.1V)
7. Power down the load
8. Power down V_{cc}
9. End of test