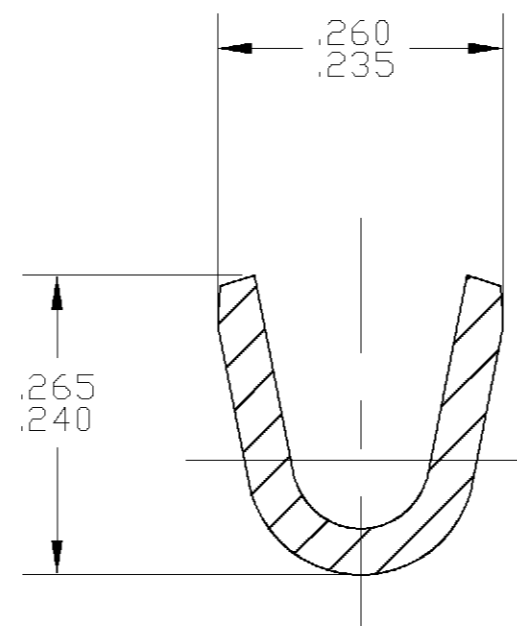
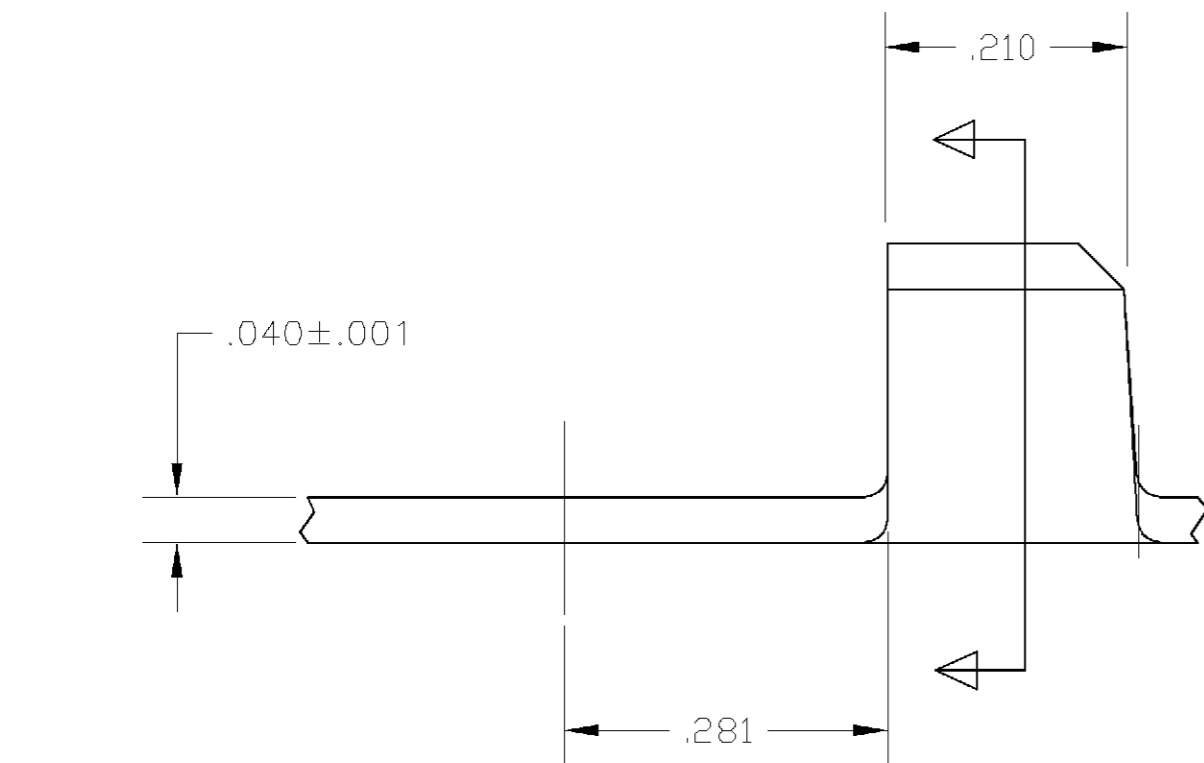
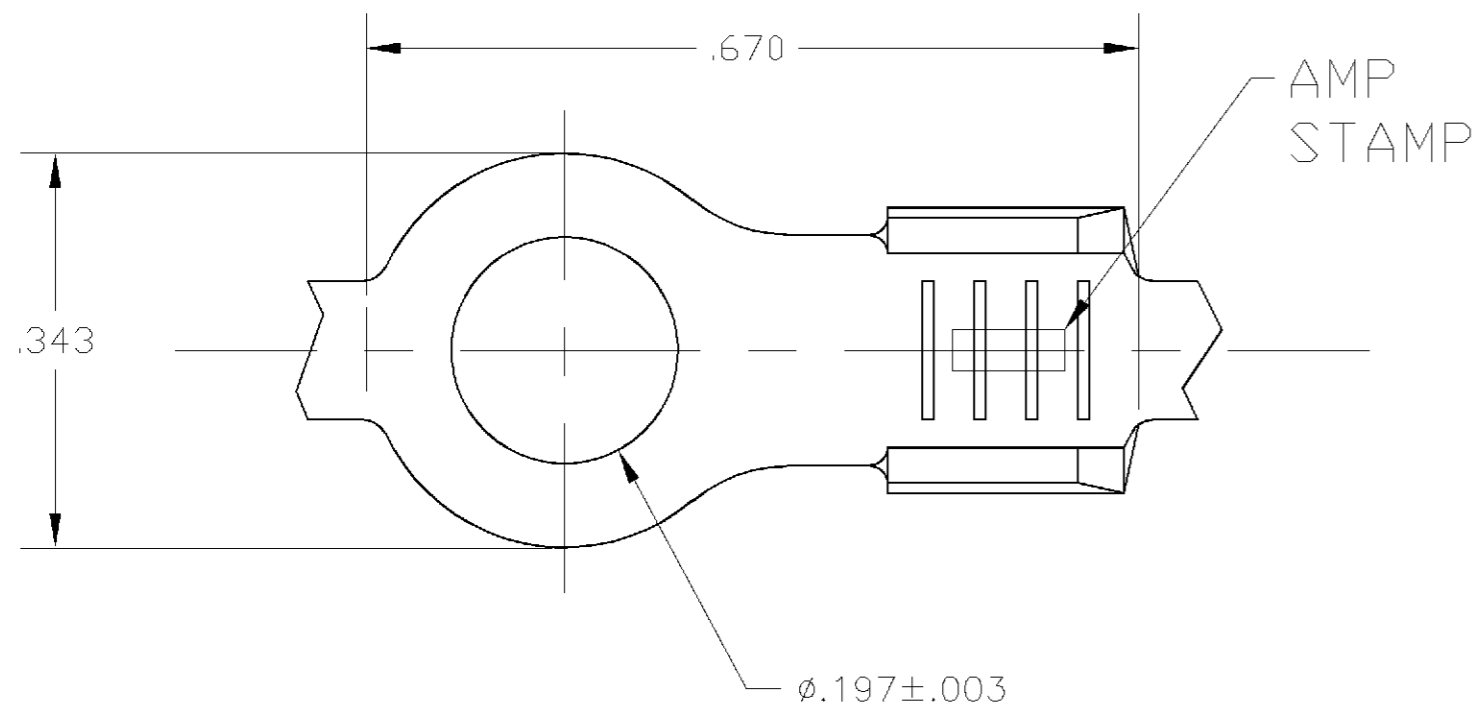


THIS DRAWING IS UNPUBLISHED. RELEASED FOR PUBLICATION
 © COPYRIGHT 64 BY TYCO ELECTRONICS CORPORATION. ALL RIGHTS RESERVED.

LOC	DIST	REVISIONS					
		P	LTR	DESCRIPTION	DATE	DWN	APVD
AF	50		Z	REDRAWN PER OG3A-0051-02	14FEB02	MF	DD



- 1 CONTINUOUS STRIP ON REELS.
- 2 .000200 MIN SILVER PLATE.

OBSOLETE	12-10 AWG	2	41911-1
	12-10 AWG		41911
	WIRE RANGE	FINISH	PART NUMBER

THIS DRAWING IS A CONTROLLED DOCUMENT.		DWN 14FEB2002 MICHAEL S. FEHER	Tyco Electronics Corporation Harrisburg, PA	
DIMENSIONS: INCHES		CHK 14FEB2002 DONALD DECKER		
TOLERANCES UNLESS OTHERWISE SPECIFIED:		APVD 14FEB2002 DONALD DECKER	NAME TERMINAL, RING #10 STUD	
0 PLC ± - 1 PLC ± - 2 PLC ± - 3 PLC ± .010 4 PLC ± - ANGLES ± 1°		PRODUCT SPEC -	SIZE CAGE CODE DRAWING NO A2 00779 C-41911	
MATERIAL O82 BRASS		FINISH SEE TABLE	WEIGHT -	RESTRICTED TO -
CUSTOMER DRAWING			SCALE 6:1	SHEET 1 OF 1 REV Z