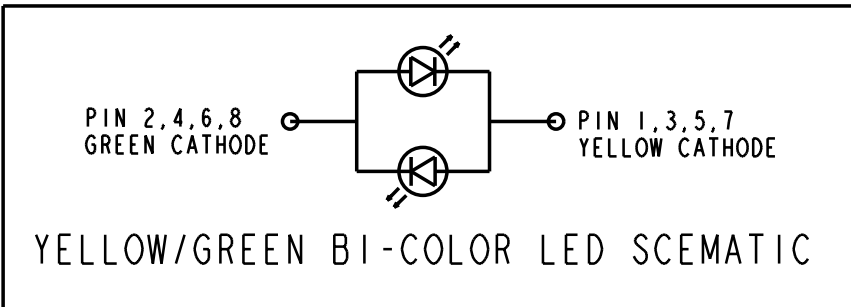


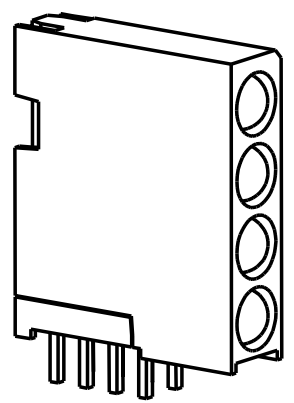
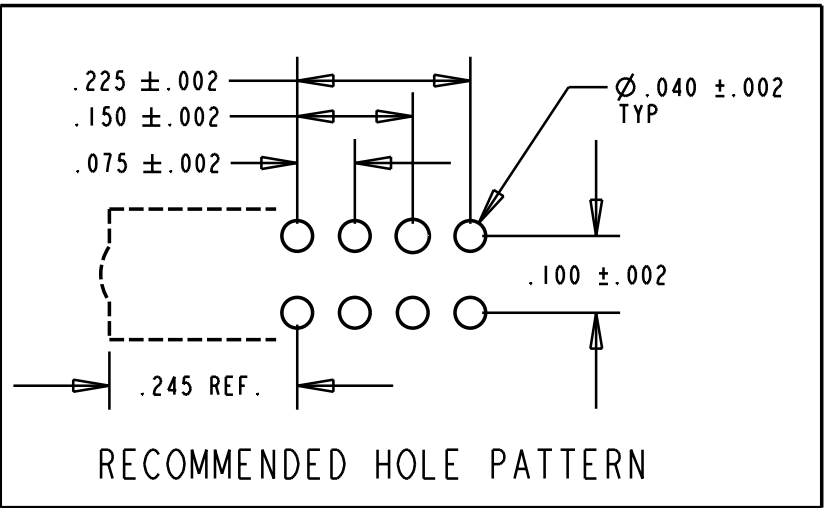
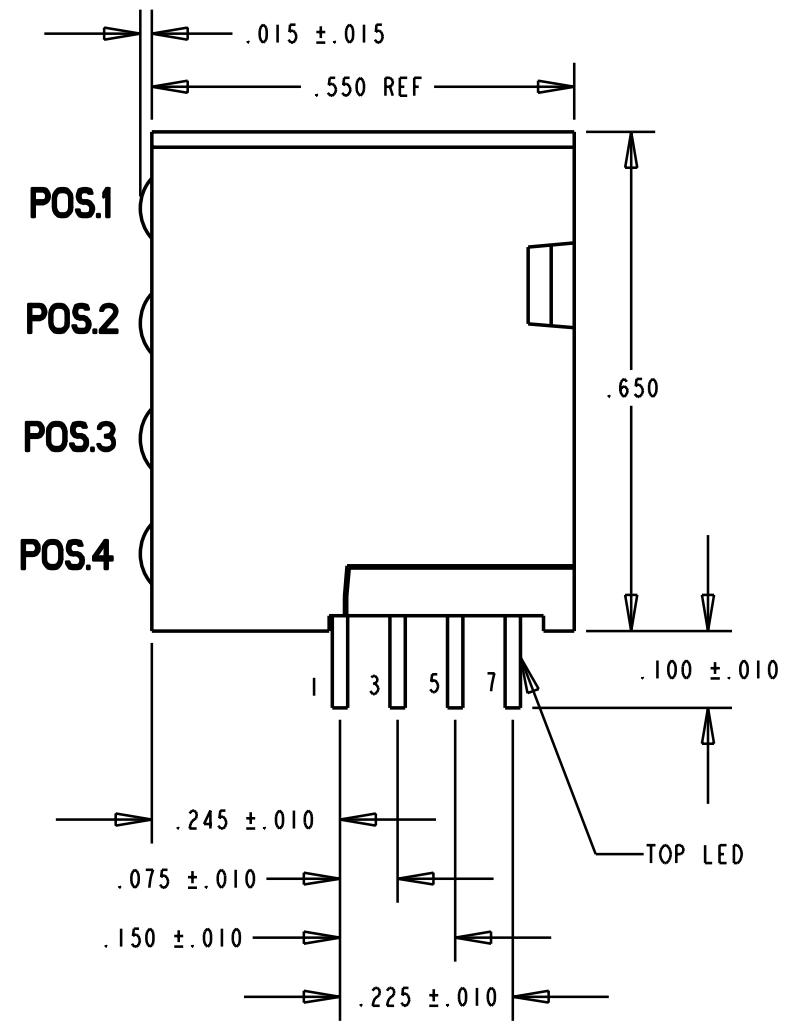
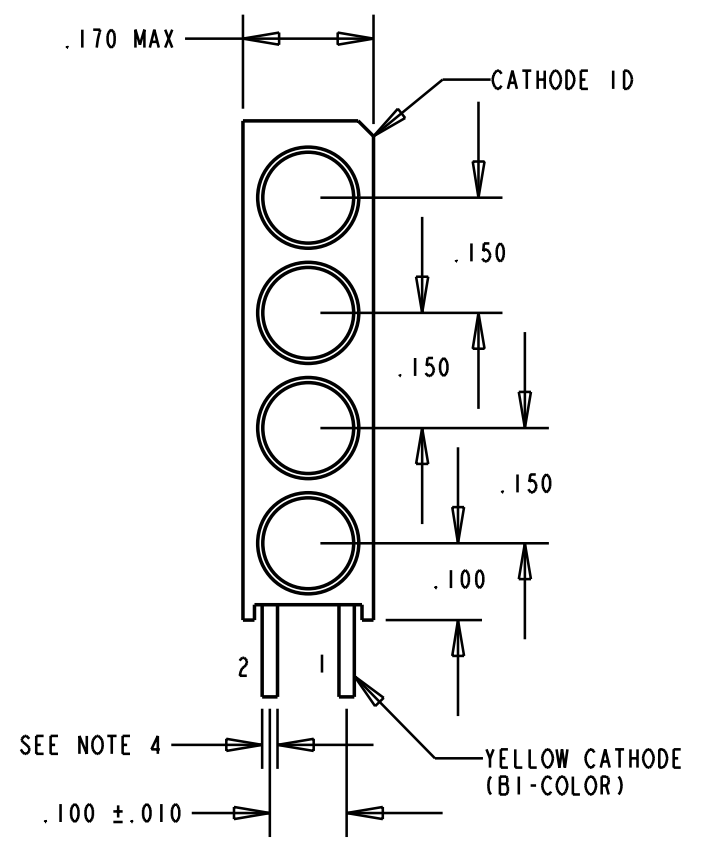
LED COLOR			
POSITION 1	POSITION 2	POSITION 3	POSITION 4
YELLOW / GREEN	YELLOW / GREEN	YELLOW / GREEN	YELLOW / GREEN



REV.	ECN NO.	REVISIONS	DRN.	CKD.	APP.	DATE
A		NEW RELEASE	AV			

OPERATING CHARACTERISTICS AT 25°C AMBIENT						
CHARACTERISTICS	COLOR	MIN	TYP	MAX	UNITS	TEST CONDITIONS
LUMINOUS INTENSITY	GREEN	2.5	6.3		mcd	$I_f = 10 \text{ mA}$
	YELLOW	2.5	4.3			
FORWARD VOLTAGE	GREEN		2.1	2.8	V	$I_f = 20 \text{ mA}$
	YELLOW					
PEAK WAVELENGTH	GREEN		565		nm	
	YELLOW		585			
PEAK WAVELENGTH	GREEN		569		nm	MEASURED ON EXELTRON 2001
	YELLOW (Y3)	585		589		
	YELLOW (Y2)	583		587		
VIEWING ANGLE		80			Degree	
CAPACITANCE	GREEN		35		pf	$V_f = 0, f = 1 \text{ MHz}$
	YELLOW		15			

ABSOLUTE MAXIMUM RATING AT 25°C AMBIENT			
	UNITS	GREEN	YELLOW
POWER DISSIPATION	mW	100	60
DERATE LINEARLY FROM 50°C	mA/°C	0.4	0.25
CONTINUOUS FORWARD CURRENT	mA	30	20
PEAK FORWARD CURRENT (1/10 DUTY CYCLE, 0.1 ms PULSE WIDTH)	mA	120	80
LEAD SOLDERING TEMPERATURE, 5 SEC., 1/16" FROM BODY	°C	260	
OPERATING TEMPERATURE	°C	-55 TO 100	
STORAGE TEMPERATURE	°C	-55 TO 100	



- NOTES:
- LEADS TO FIT INTO HOLES SPACED AS PER HOLE PATTERN
  - LEADS TO BE FREE OF DEFORMATION AFTER BENDING AND CUTTING.
  - LED LEAD DIMENSIONS SHOWN ARE MEASURED AT HOUSING EXIT.
  - LED LEAD THICKNESS = .018 x .016 = BI-COLOR
  - PACKAGING = PARTS PLACED IN CLEAR ANTISTATIC TRAYS  
748 PARTS PER TRAY / 4 LOADED TRAYS PER BOX  
(TOTAL OF 2992 PARTS PER BOX)
  - DIALIGHT PART NUMBER = 568-0004-871

THIS DRAWING AND THE CONTENTS HEREIN ARE CONFIDENTIAL AND THE SOLE PROPERTY OF DIALIGHT. REPRODUCTION OF THIS DRAWING OR CONSTRUCTION OF ANY PARTS WITHIN THIS DRAWING ARE FORBIDDEN WITHOUT THE WRITTEN CONSENT OF DIALIGHT.		
SCALE 4:1	DRAWING NUMBER	REV
ALL DIM'S IN: INCHES	C-16607	A
TOLERANCES: UNLESS OTHERWISE SPECIFIED	TITLE STANDARD 4X1 CBI BLOCK	
FRACTIONS: ±1/64	MATERIAL	
DECIMALS (.XX): ±.020	Dialight	
DECIMALS (.XXX): ±.015	1913 ATLANTIC AVE.	
DECIMALS (.XXXX): ±.010	MANASQUAN, N.J. 08736	
ANGLES: ±3°	FINISH:	
FSCM 83330	SHEET OF	FAMILY TABLE: